



 Galopín  
playing dreams









Galopín









## Index

- Our Company ..... 4
- Our Quality ..... 5
- Materials..... 6
- Our Warranties ..... 12
- Our Ranges:
  - Nice** ..... 14
  - Comic**..... 26
  - Natura** ..... 70
    - a. Natura ..... 72
    - b. Robinia ..... 92
    - c. Ecopark ..... 100
  - Fusión** ..... 102
  - Dinamix** ..... 124
  - Prometeo** ..... 132
  - Redes** ..... 138
  - Demod** ..... 152
  - Cubic** ..... 162
  - Fruit** ..... 168
  - Minimalist** ..... 178
  - Health & Fitness** ..... 186
    - a. Health Kinetic ..... 188
    - b. Health Natura ..... 191
    - c. Health Urban ..... 209
    - d. Biking ..... 236
    - e. Sports ..... 242
  - Canes** ..... 246
  - Accessories** ..... 252



## OUR COMPANY

The origins of Galopín go back more than 30 years, in a small town in Northern Spain, where our first altruistic and self-managed community play space was built. Over the years we have observed its effects on children, families and the wider community and how it contributes to the wellbeing of the village, town or city.

This play space created a natural observatory for us to understand the human need in a social setting; how relationships are formed with people and place and how we, the designers can enhance the environment to bring a closer connection to the environment and the community.

Galopín is part of the Cetus group which spans two industries and enables both sides of the business to benefit from a combined resource and technical expertise. The Cetus group is a huge enterprise with vast manufacturing facilities and a well-respected team who also work on political level to impact decision making.

As part of the Cetus group Galopín has the freedom to design great products and utilise the expertise of Gefico who is a global supplier of industrial solutions for the water treatment market. These industries do work well together as Gefico is focused on areas such as minimising corrosion and working with materials that are sustainable and durable within challenging environmental conditions. Galopín's products are directly impacted by this and only the most long-lasting solutions become part of the product range.

Galopín is a well-known design and manufacturer of playgrounds and is a household name in Spain. We have also built a large international presence due to our unique products, high quality and the knowledge we can draw from the people we collaborate with in the fields of pedagogy, landscape design, architecture, design and engineering among many others.



Our Design and R&D departments are also completely focused on the creation of safe play areas and all our products are TUV certified to the EN-1176 standards.

The company is so committed to delivering high quality and continuously invests a large amount of financial and human resources into the

process, materials and welfare of its people all of which is evidenced by the certifications held by Galopin; one of the highest certified companies in the industry. These include the ISO9001 Quality Management System, ISO14001 Environmental Management System, OHSAS18001 Occupational Health & Safety Systems as well as UNE160002 Research & Development Management Systems.

## Certifications



## Partners



## Recognition

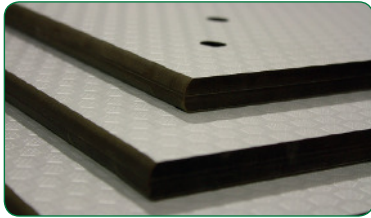






## HPL

HPL Panels (High Pressure Laminates) for outdoor use in compliance with rule EN438, provide extremely effective protection against external agents, scratches, colour degradation as well as wear and tear.



It is available in two finishes, smooth, which is used for side panels and signage, as well as roughened for flooring, seating, rock-climbing walls,... It features a 15mm width, except in signage where a 10mm width is used.



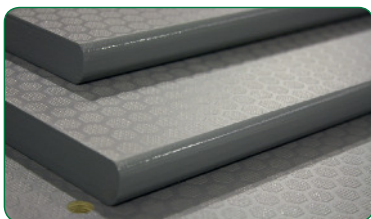
## High Density Polyethylene (HDPE)

This material is highly resistant to chemical abrasion and corrosion as well as being able to withstand outdoor use, decolouration and UV rays. It does not develop fungi or mould, it does not absorb moisture and, therefore, it does not expand or delaminate. It is easy to clean and recycle and its non-adherent surface prevents graffiti and other paint. HDPE complies with toy rule DIN EN 71-3-9-10-11 which guarantees the absence of toxic materials. It features 15mm and 20mm widths



## Marine Plywood

Birch plywood with a 21mm width and easily refurbishable polyurethane lacquer, made of biological components. It features two different formats, texturized lacquer where 2 or 3 layers are applied at the surface to each piece, with 4 layers applied to the edges. For flooring, seating and other surfaces prone to wear and tear, we use non-slip plywood with a phenolic layer which provides high resistance against abrasion, applying in this case four layers to protect the edges. Both products are very resistant appropriate for use in high structural demand applications, as they behave well in extreme heat and fire conditions and they are 100% recyclable.





### Wood

We work with two types of wood. The first one is a mechanised process for laminated Scandinavian Pine Tree. This wood is treated in autoclave risk IV, which means that it is free of chromium and arsenic, and it is adapted to comply with compulsory European Regulation PRE/227/2003. It is also PEFC certified wood, which means that its origins and the chain of custody for the entire manufacturing process are managed for sustainability. The second type, Robinia wood, maintains the organic shapes found in nature, featuring a natural protection against decay, while its density and sturdiness offer high resistance and durability, in addition to providing a natural appearance which integrates well with its surroundings.

In both cases, a water-based lasur wood stain in a natural colour is applied for added protection and to provide the wood with a long-lasting colour.



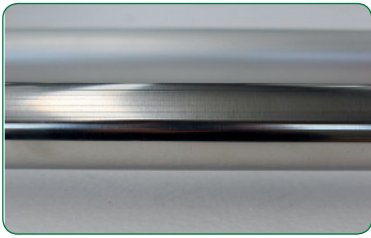
### METALLIC ELEMENTS:

#### Aluminium

Treated in different ways in our manufacturing process, we use pure aluminium in foundry pieces, where it provides a high level of resistance against corrosion; anodised aluminium, which is very resistant against environmental corrosive agents, abrasion as well as wear and tear, featuring great surface strength due to its adherence and the properties of the anodization, it is used in punctured sheets, brackets, bars, steps..., lacquered aluminium used as a squared metallic beam featuring advantages over other metallic elements such as light weight, durability, and high resistance against corrosion, among others.







## Stainless Steel

We use stainless steel AISI 304 and AISI 316 in areas prone to wear and tear, preventing vandalism and corrosion. It is used in slide surface sheets, firefighters' poles, bar slides, pads, swing chains...



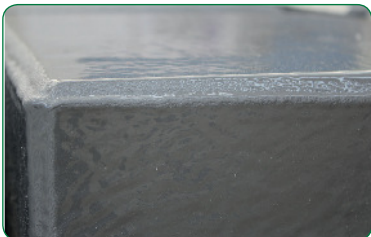
## Electrolytic galvanised steel with a powder coating

The steel is fully protected against corrosion; the powder coat offers extra protection.



## Hot dip galvanised steel

It combines the mechanical resistance of the steel with the resistance against corrosion created by the zinc. We have attained resistance against corrosion for over ten years, ensuring that the unit is durable and free from corrosion, able to withstand years of use. In some cases a finishing powder coating is subsequently applied for the purpose of design.



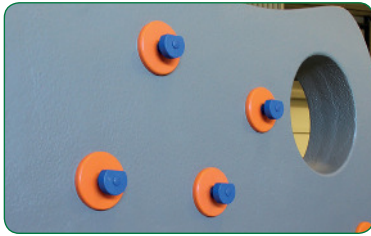
## POLYURIA COVERING

The 2mm thick polyuria covering with an aliphatic finish protects against wear and tear, water, moisture, temperature changes and UV rays. Polyuria is also an inert material, also being 100% free of solvents and toxic materials. It provides our polystyrene and polyurethane elements with a high degree of resistance and durability:



## Polystyrene

Our expanded polystyrene boards, featuring a density of 27/30 kg/m<sup>3</sup>, enable us to create large elements which are easy to handle and transport due to their light weight. This material is also respectful with the environment, being recyclable, harmless and inert.



### Polyurethane

For the creation of light sculptural games, with soft shapes and rounded edges we use rigid polyurethane foam casting.



## PROPRIETARY COMPONENTS

We feature a number of noteworthy components which are included in our units and which make us unique.

### Ropes

We generally use braided polyamide rope, with a fibre core and 4 or 6 braided inner steel cables. In cases where a higher degree of resistance is required, we substitute the fibre core for a central galvanised steel core. Depending on the final use, we provide 16, 18 or 20 mm diameters.



### Galvanised Cable

Made of several metallic cables arranged helically around a core. Minimum diameter is 12mm. It is used in cable stayed games and related elements.



### Chains

Chains with straight rectified links made of AISI 316 stainless steel. Used in swing chains, bridge connectors, ...



### Injected plastic

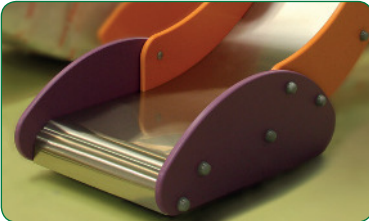
All injected plastic elements are made of polyamides, low-density polyethylenes or polypropelenes, which are resistant to outdoor elements, decolouration and UV rays. All pigments and composition are made according to rule DIN EN71-3-9-10-11 which guarantees they are free of toxic elements. These are proprietary matrix pieces and they are one of the elements that set Galopin´s brand apart.





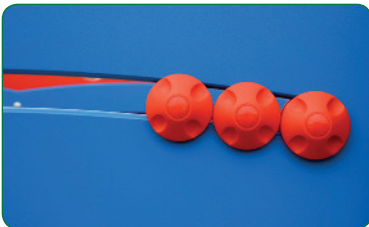
## Spring Spirals

Made of steel with a heat treatment guaranteeing flexibility and a high resistance to breaking and corrosion. Their surface is treated with cathaphoresis-KTL and subsequently powder coated. The diameter of the wire is 20mm.



## Slides

There is a choice of materials to be used on the sliding surface of these games: HDPE sheet, which is best suited in areas subject to extreme heat, as well as AISI 304 stainless steel sheet with a 1,5 mm thickness which prevents static.



## Handling Elements

These are games such as cross and circle, baby rattles, textures...







## OUR WARRANTIES

Our degree of commitment and the quality of our products is reflected on these warranties:

- 15-year warranty on failures due to manufacturing defects or decomposition of the HDPE and HPL panels. These panels feature top protection against ultraviolet rays although with time its colouring could be altered slightly.
- 15-year warranty on galvanised beams and pieces, coated and anodised steel and stainless steel (\*).
- 15-year warranty on the supply of all replacement pieces for the game units beginning on the date on which the sale was made.
- 10-year warranty on wood decay, structural or manufacturing defects.
- 5-year warranty on spring ruptures, on the coating of zinc coated beams, on coated plywood panels, screws and moulded plastic pieces (except on mobile or mechanical systems).

- 5-year warranty on climbing ropes and on every structural or manufacturing defect.
- 2-year warranty on the rest of unit components.

Warranty coverage to damaged pieces will apply as long as the installation and maintenance has been carried out in accordance to the instructions provided by the company Galopín Playgrounds, SL.

The warranty does not cover normal wear and tear; nor damage due to vandalism or improper use of the units.

The warranty shall be considered void in the event of modification, intervention or substitution of unauthorised aftermarket pieces.

*(\*) Units installed in coastal areas, less than 300 metres from the shore will be covered by the warranty for a period of up to 5 years.*

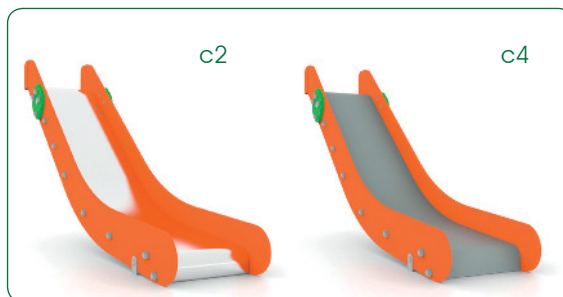






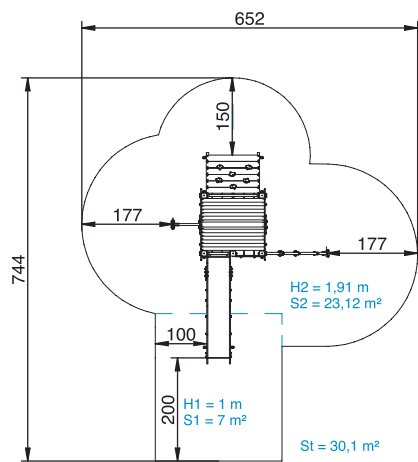
NICE







FP01E



191 cm.



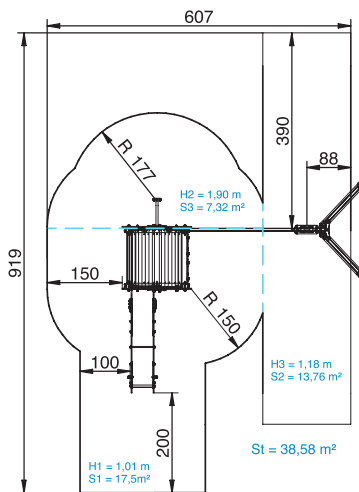
10 u.



4-14



FP02E



191 cm.



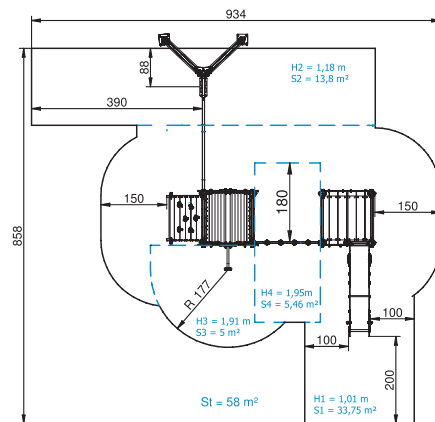
7 u.



4-14



FP03E



195 cm.



16 u.



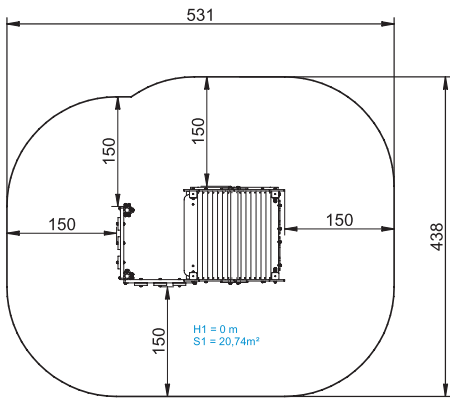
4-14







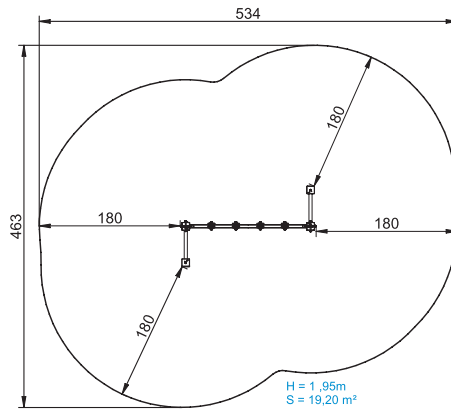
FP07E



- 4 u. 2-6



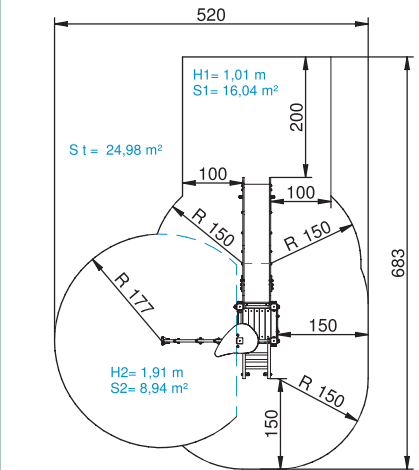
FP08E



195 cm. 5 u. 4-14



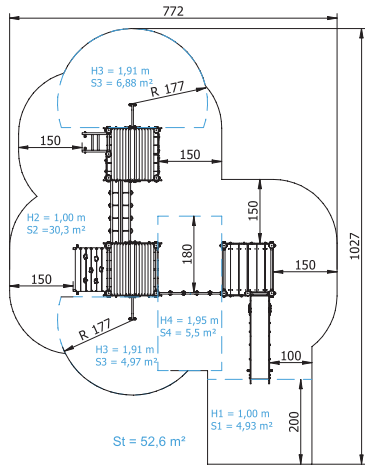
FP09E



191 cm. 7 u. 2-10



FP10E



195 cm.



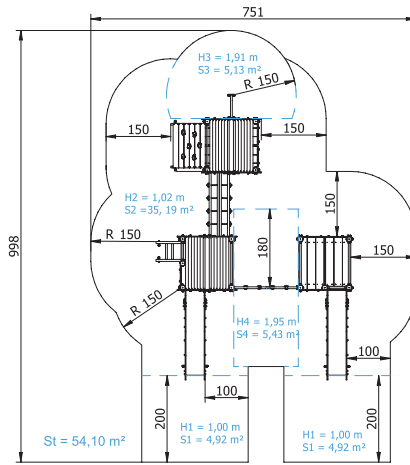
18 u.



4-14



FP11E



195 cm.



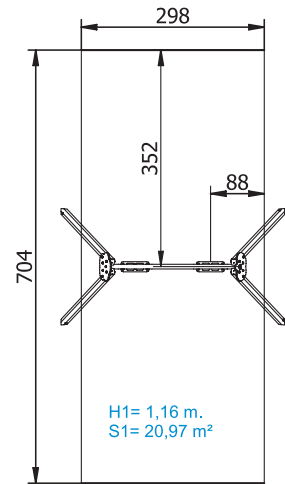
18 u.



4-14



L13A-Z



116 cm.



2 u.

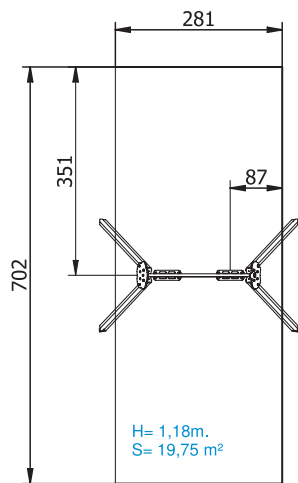


3-14





L29



118 cm.



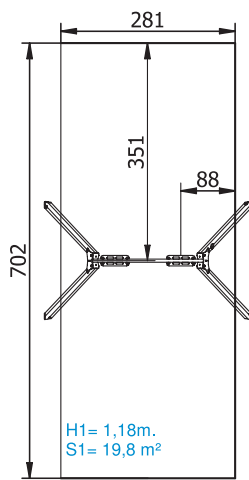
2 u.



3-14



L29LC



118 cm.



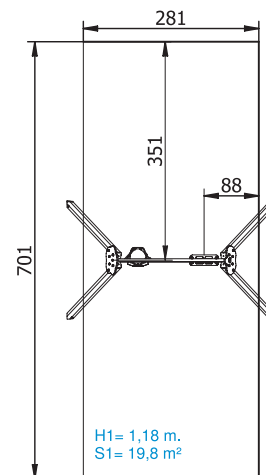
2 u.



3-14



L29M



118 cm.



2 u.

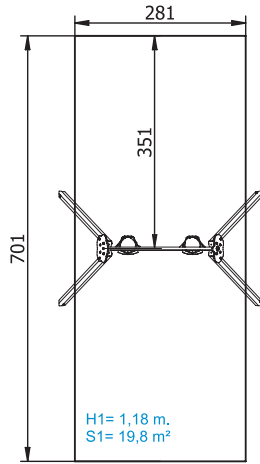


0-14



L29C

NEW



118 cm.



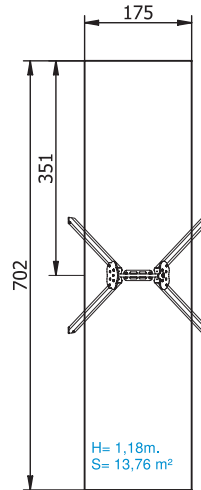
2 u.



0-3



L29S



118 cm.



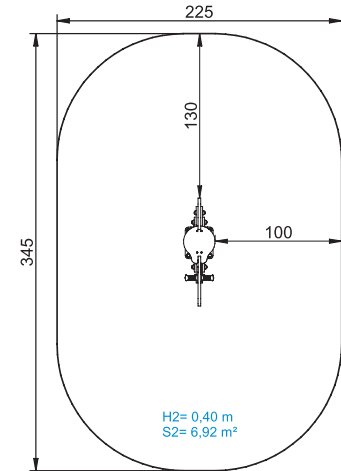
1 u.



3-14



PLA009



40 cm.



1 u.

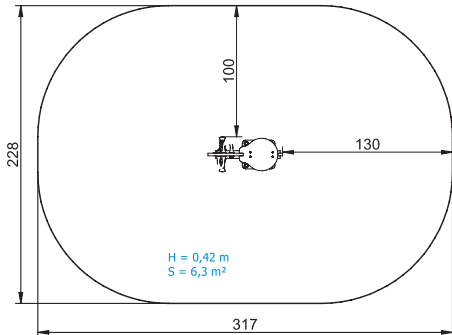


2-6





B90E



42 cm.



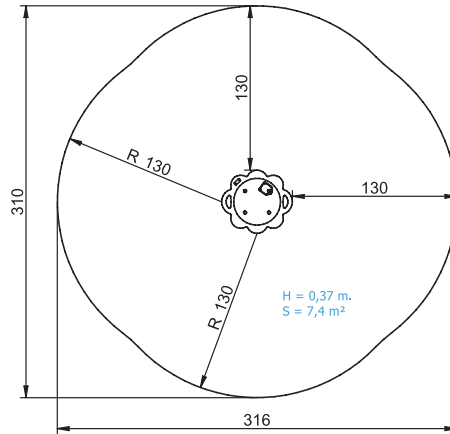
1 u.



2-6



B300E-c1



37 cm.



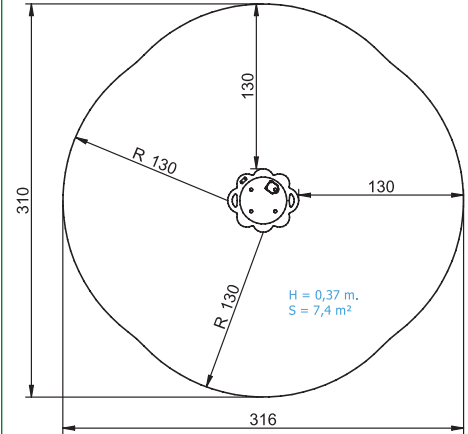
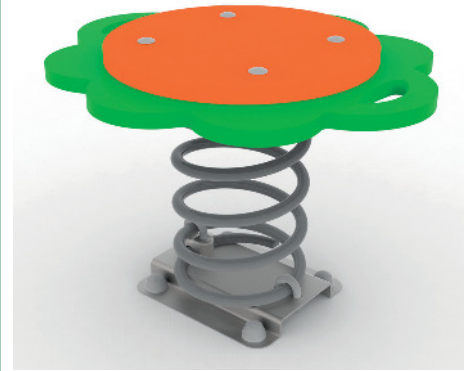
1 u.



2-6



B300E-c2



37 cm.



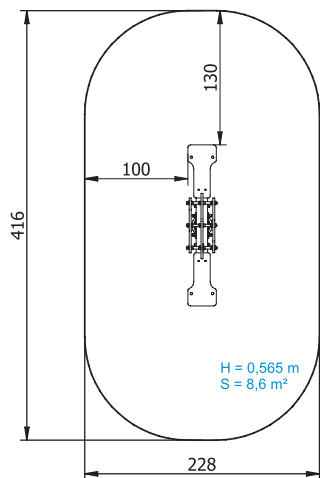
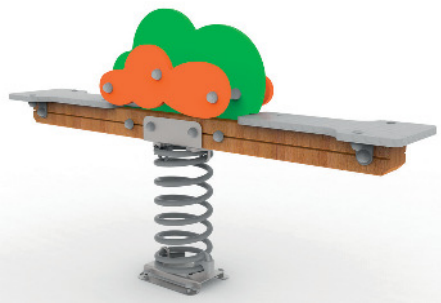
1 u.



2-6



U110A



57 cm.



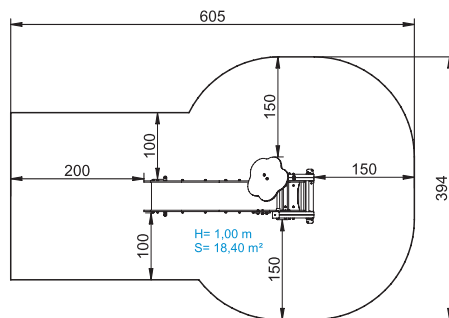
2 u.



2-6



T15



100 cm.



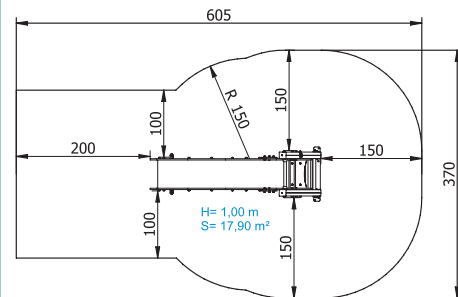
2 u.



2-8



T15E



100 cm.



2 u.

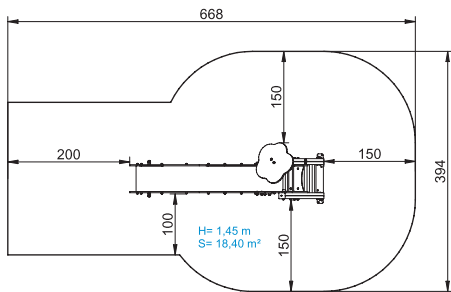


2-8





T16



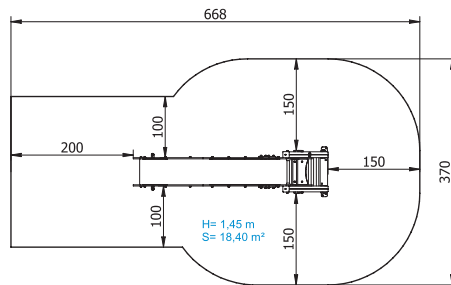
145 cm.

2 u.

3-8



T16E



145 cm.

2 u.

3-8



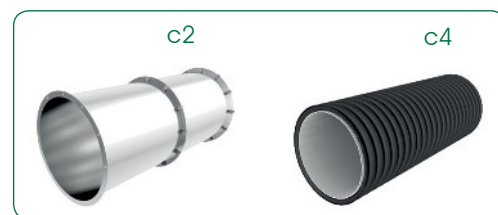






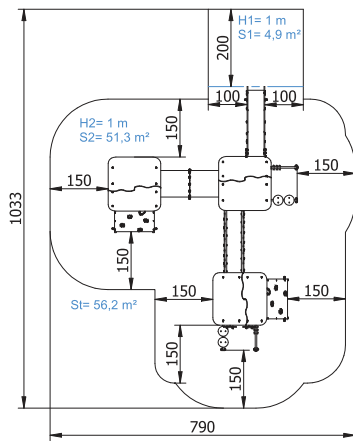
COMIC







CT005\_P



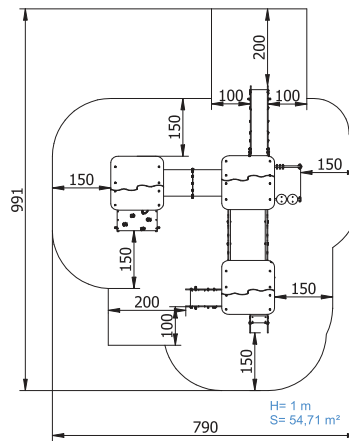
100 cm.

30 u.

2-6



CT006\_P



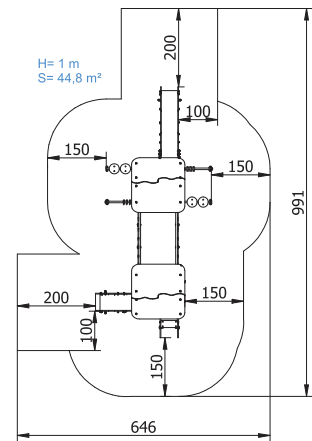
100 cm.

24 u.

2-6



CT007\_P



100 cm.

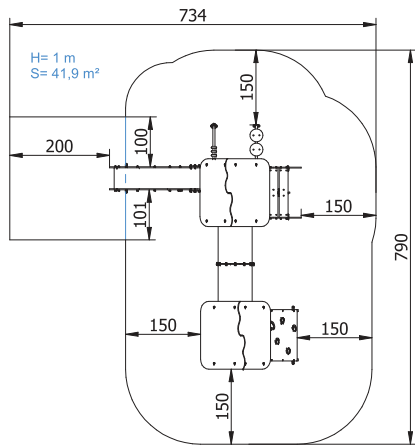
19 u.

2-6





CT008\_P



100 cm.



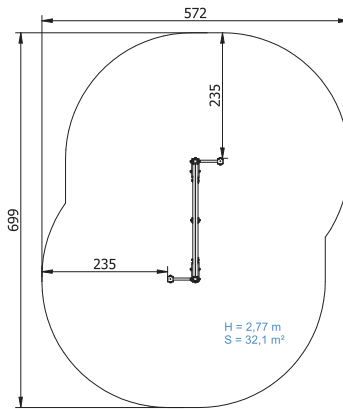
16 u.



2-6



C101\_P



277 cm.



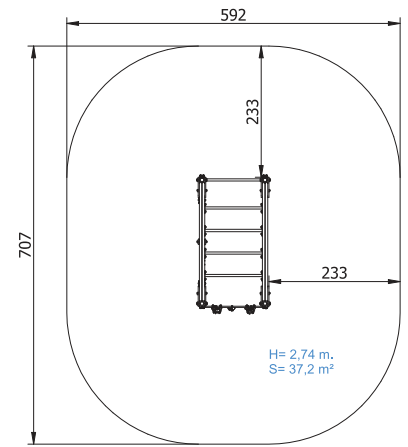
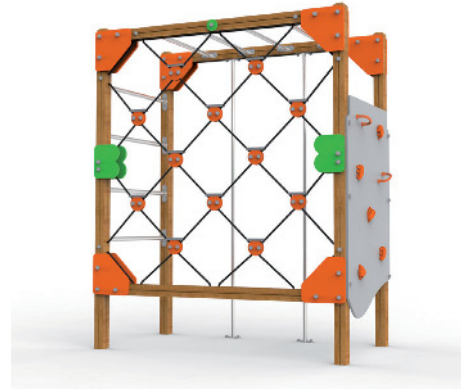
4 u.



4-14



C103\_P



274 cm.



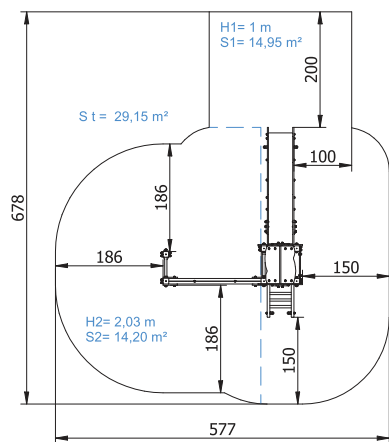
8 u.



4-14



C201D\_P



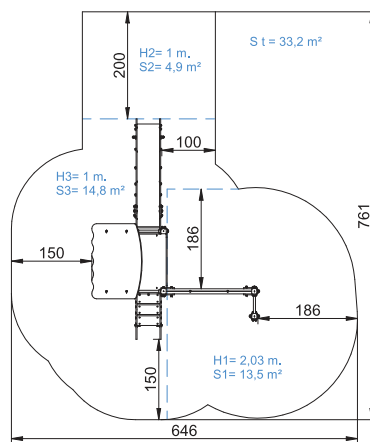
203 cm.

6 u.

2-8



C204D\_P



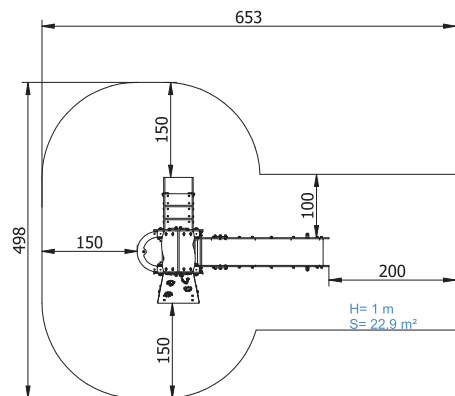
203 cm.

9 u.

2-8



C206D\_P



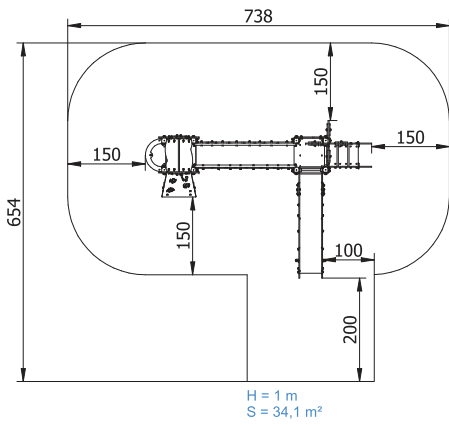
100 cm.

4 u.

2-8



C210D\_P



100 cm.



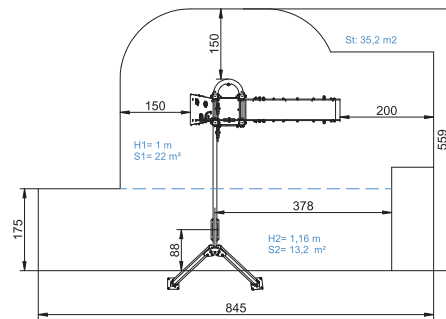
6 u.



2-8



C211D\_P



116 cm.



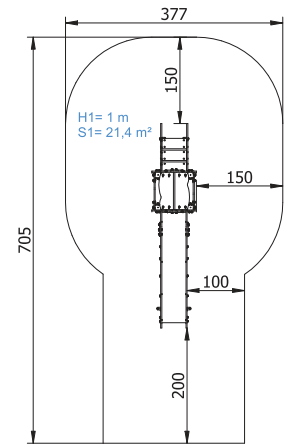
4 u.



2-8



C212D\_P



100 cm.



3 u.

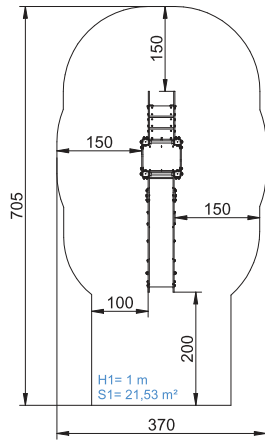


2-8





C213D\_P



100 cm.



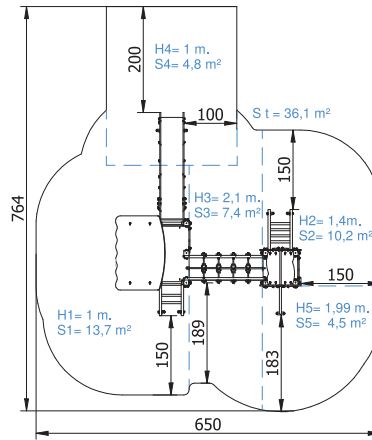
3 u.



2-8



C214D\_P



209 cm.



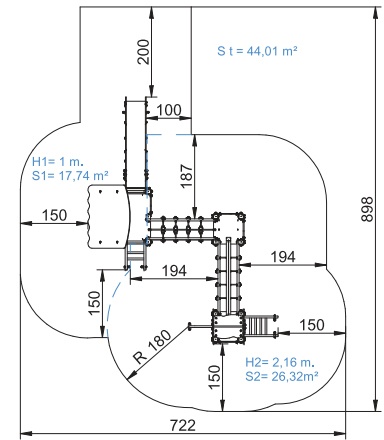
8 u.



4-14



C215D\_P



216 cm.



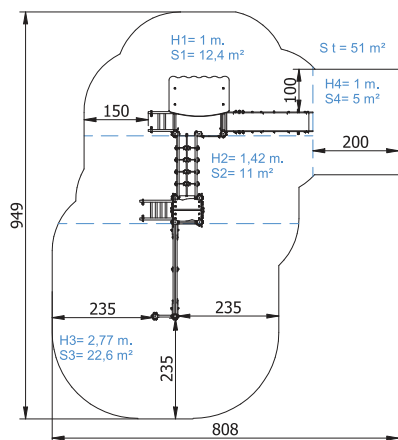
10 u.



4-14



C216D\_P



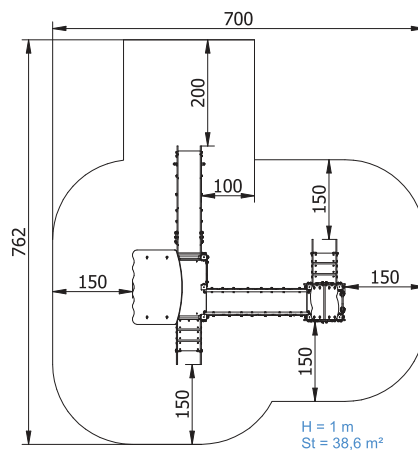
277 cm.

9 u.

4-14



C217D\_P



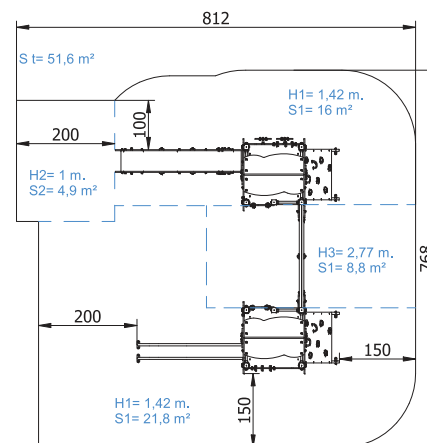
100 cm.

7 u.

2-6



C301D\_P



277 cm.

18 u.

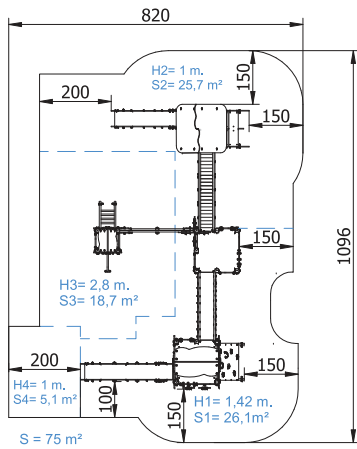
4-14







C304E\_P



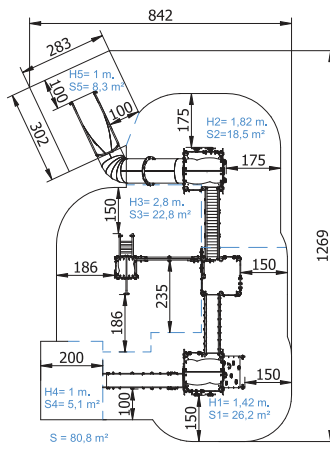
278 cm.

25 u.

4-14



C304F\_P



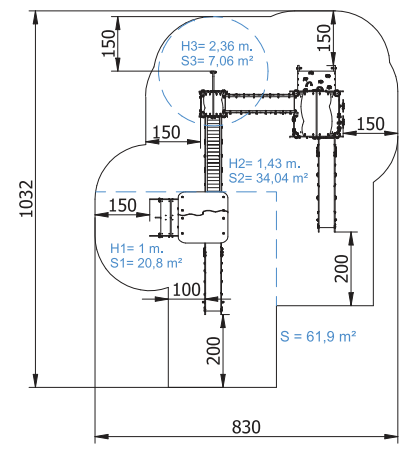
278 cm.

25 u.

4-14



C400D\_P



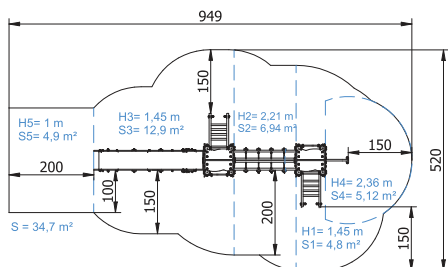
236 cm.

18 u.

4-14



C602D\_P



236 cm.



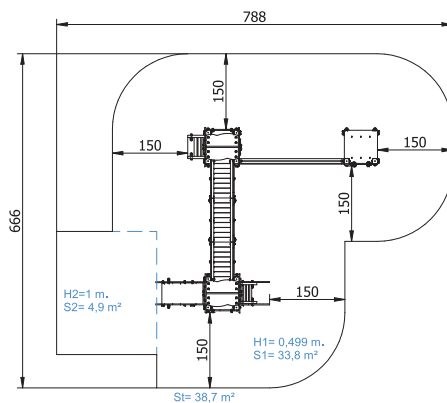
8 u.



4-14



F307D\_P



100 cm.



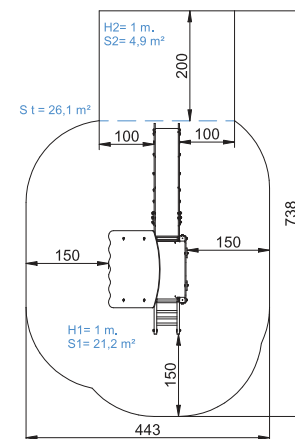
10 u.



2-6



F308D\_P



100 cm.



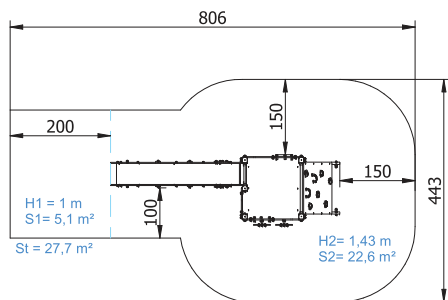
6 u.



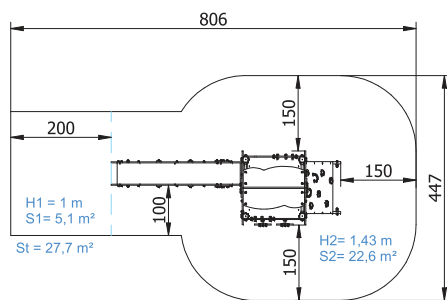
2-8



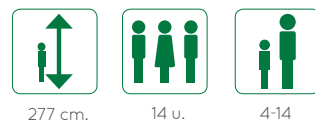
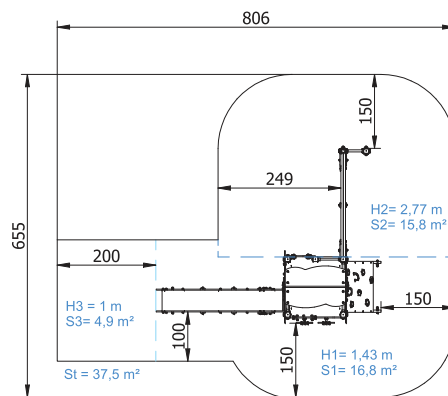
T20D\_P



T30D\_P

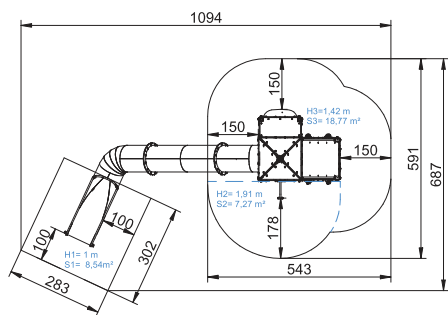


T40D\_P





JJ003



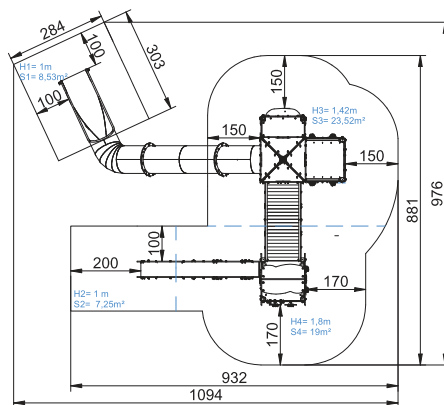
191 cm.

14 u.

4-14



JJ005



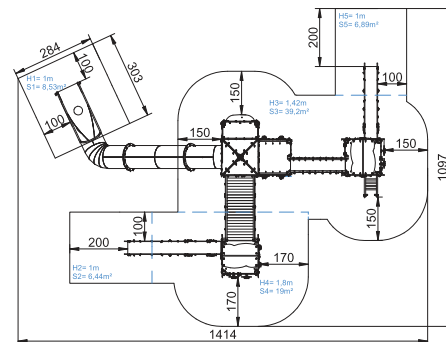
180 cm.

24 u.

4-14



JJ007



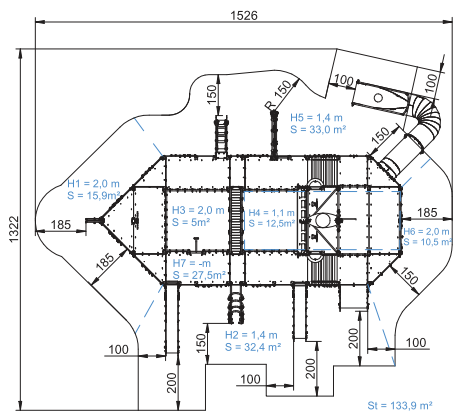
180 cm.

34 u.

4-14



BU03



200 cm.



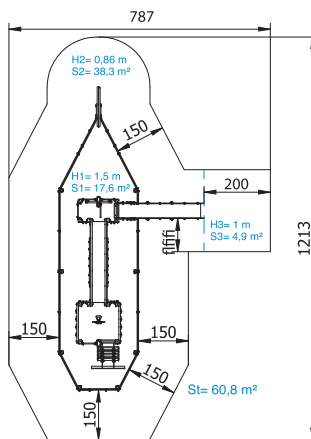
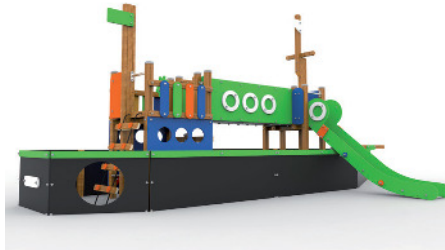
45 u.



1-14



C305A



142 cm.



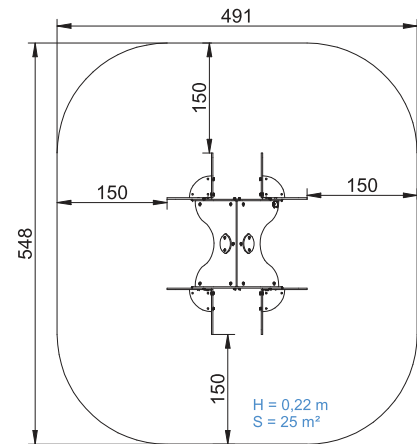
16 u.



4-14



F304A\_P



21 cm.



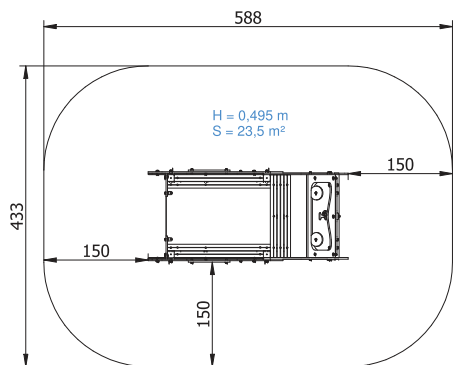
6 u.



2-6



F305\_P



50 cm.



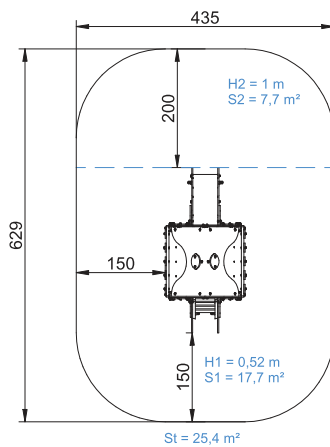
8 u.



2-6



F306A\_P



100 cm.



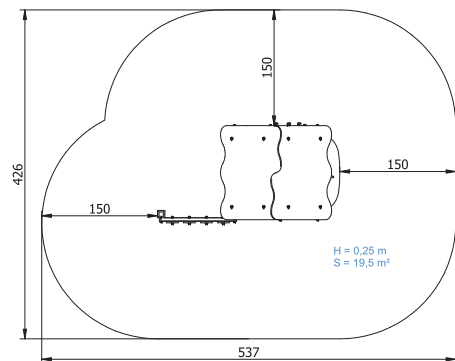
6 u.



2-6



F309\_P



25 cm.



4 u.

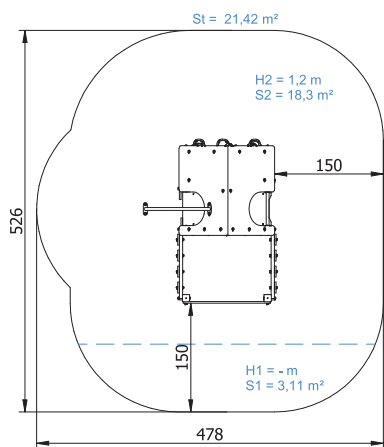


2-6





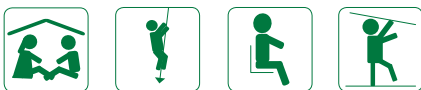
F311\_P



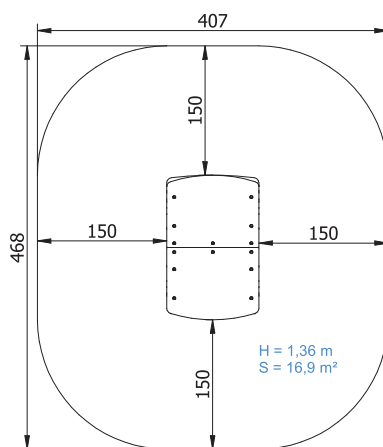
120 cm.

6 u.

4-8



F312



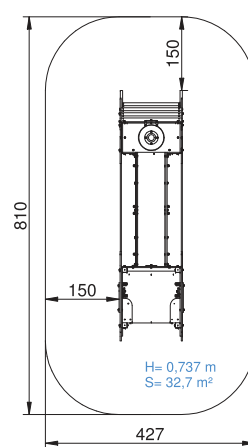
137 cm.

4 u.

2-6



F400A\_P



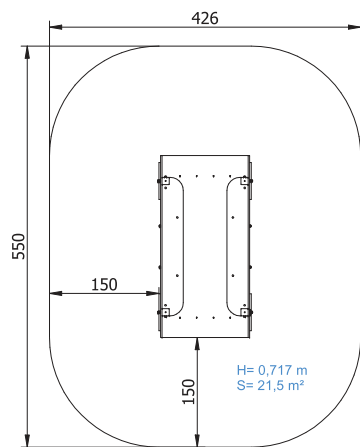
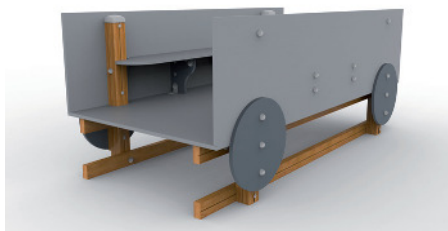
74 cm.

12 u.

2-6



F400B\_P



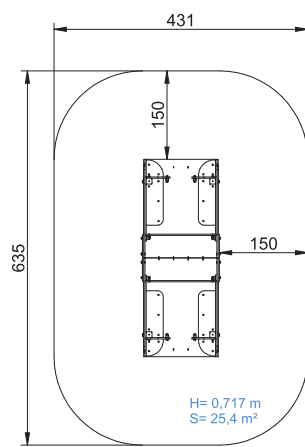
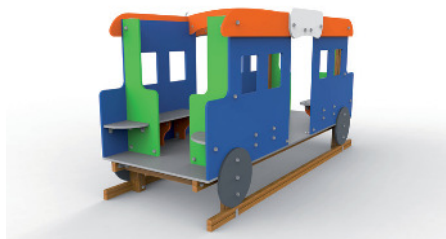
78 cm.

6 u.

2-6



F400C\_P



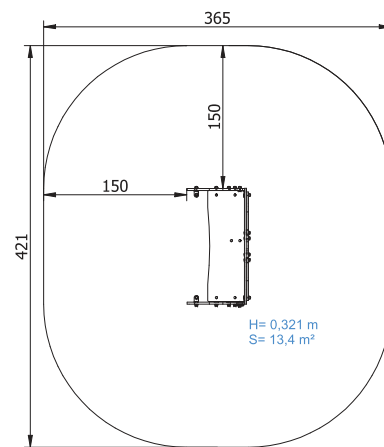
72 cm.

12 u.

2-6



F401\_P



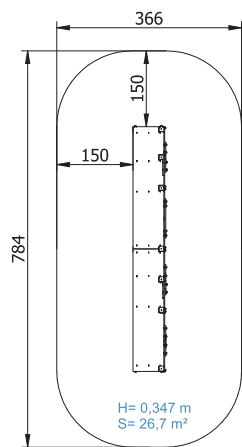
32 cm.

2 u.

2-6



F402\_P



35 cm.



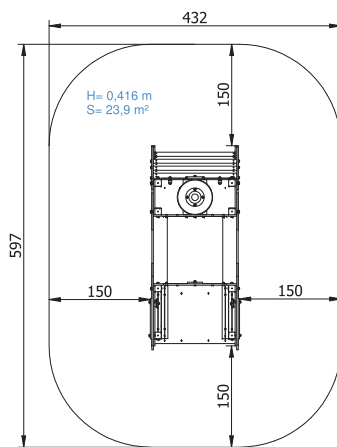
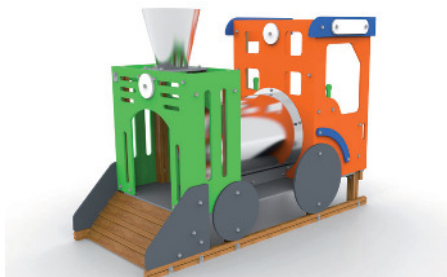
8 u.



2-6



F403\_P



42 cm.



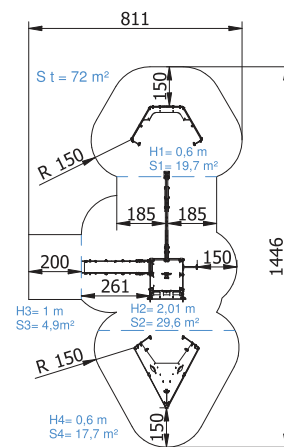
6 u.



2-6



F502



201 cm.



14 u.

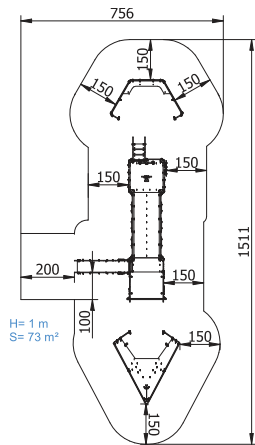


4-14





F503



100 cm.



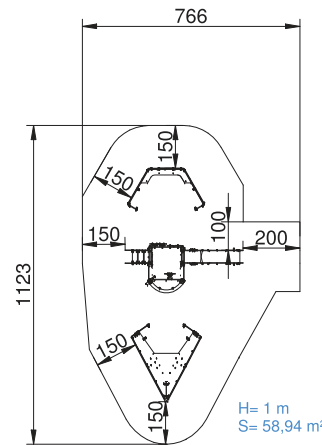
18 u.



2-8



F504



100 cm.



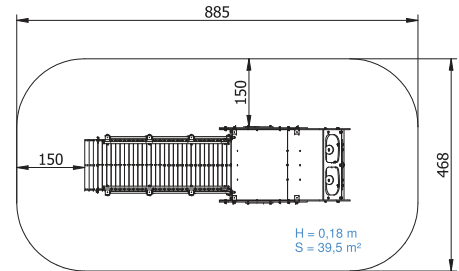
14 u.



2-8



F305A\_P



18 cm.



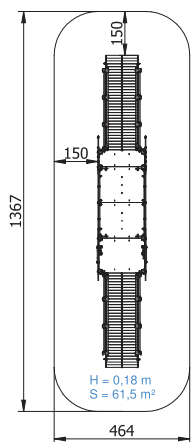
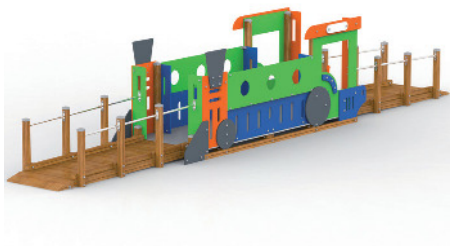
5 u.



2-6



F400A-A\_P



18 cm.



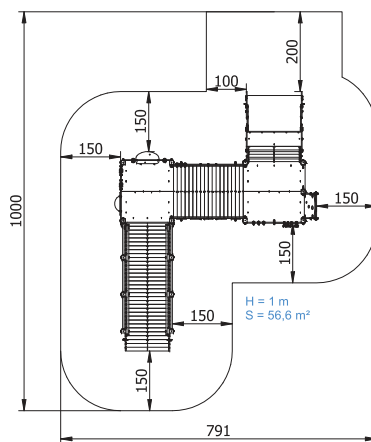
8 u.



2-6



F404A\_P



51 cm.



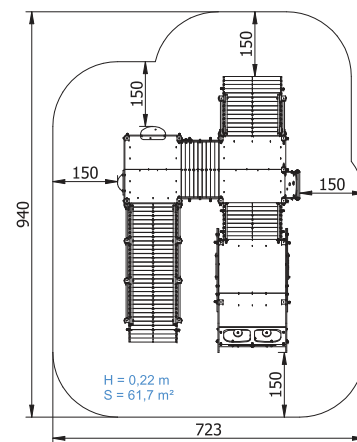
8 u.



2-6



F405A\_P



22 cm.



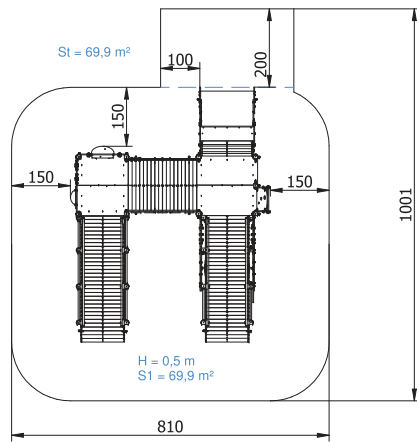
10 u.



2-6



F705Ai-P



51 cm.



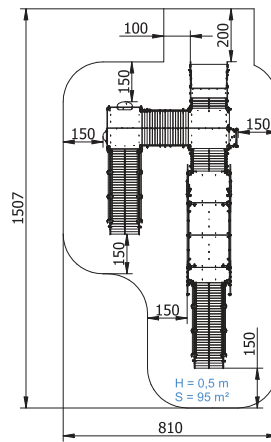
6 u.



2-6



F805Ai\_P



51 cm.



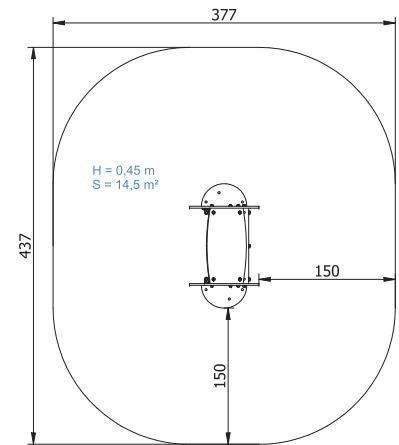
8 u.



2-6



PEZ02



43 cm.



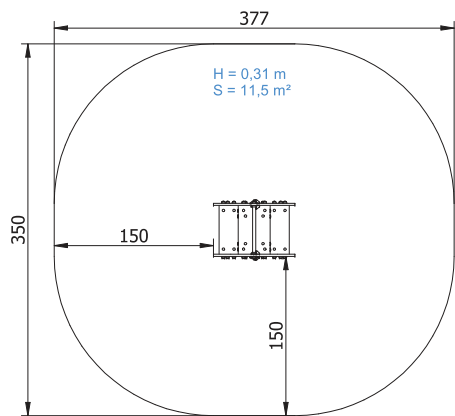
5 u.



1-4



PEZ03



31 cm.



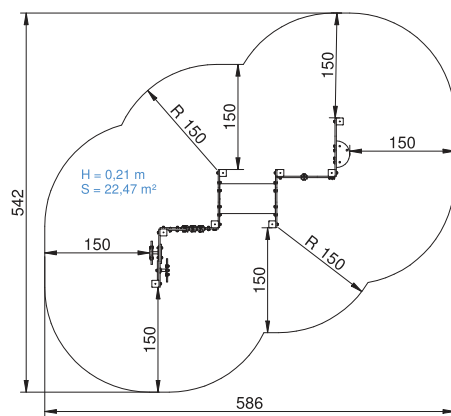
5 u.



1-4



PEZ04



21 cm.



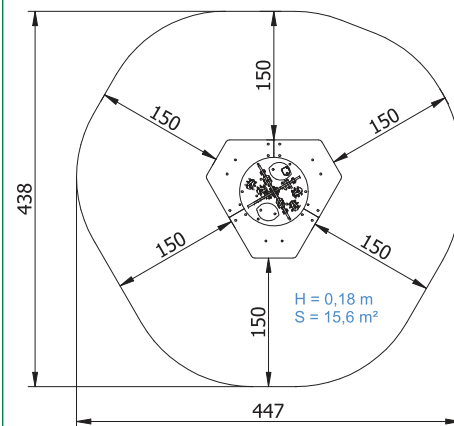
6 u.



1-4



PEZ06



18 cm.



6 u.

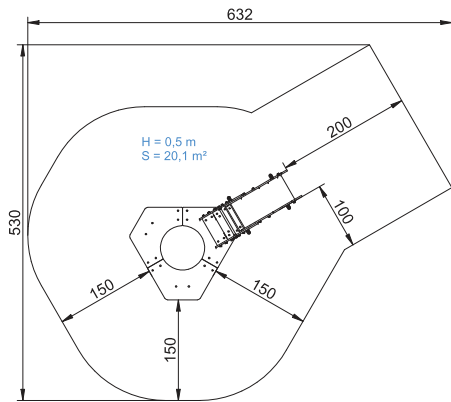


1-4





PEZ07



51 cm.



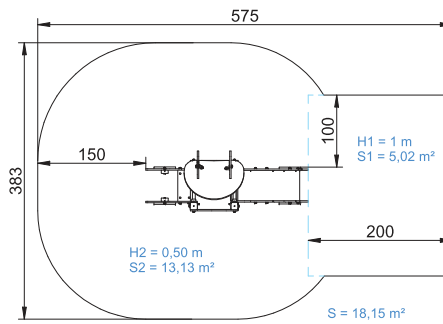
7 u.



1-4



TP01



50 cm.



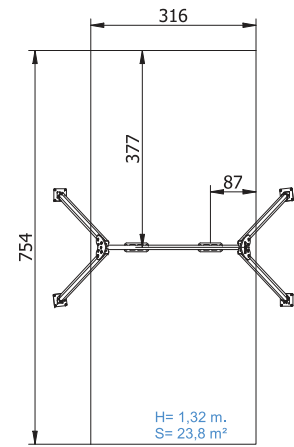
3 u.



1-4



L10\_P



132 cm.



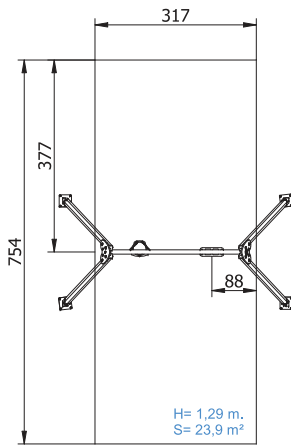
2 u.



3-14



L10M\_P



129 cm.



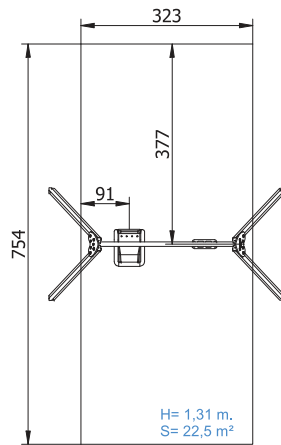
2 u.



0-14



L10i\_P



131 cm.



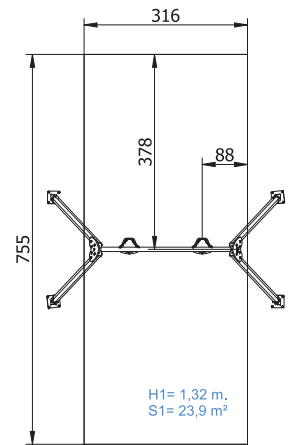
2 u.



3-14



L1001\_P



132 cm.



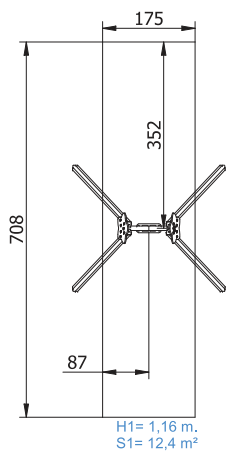
2 u.



0-3



L10S-IN\_P



116 cm.



1 u.



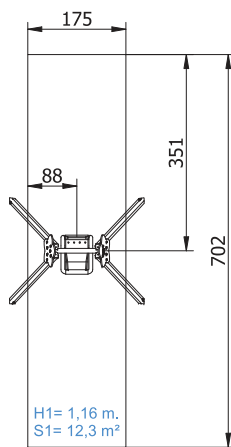
3-14



L10S-IN-i\_P



NEW



116 cm.



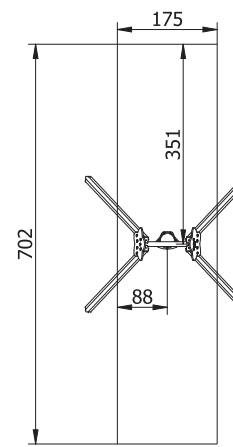
1 u.



3-14



L10C-IN\_P



117 cm.



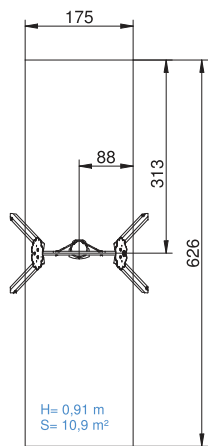
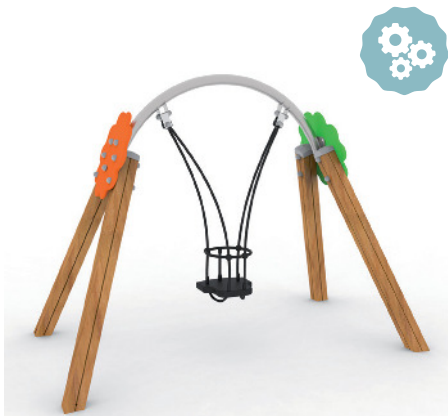
1 u.



0-3



L11\_P



91 cm.



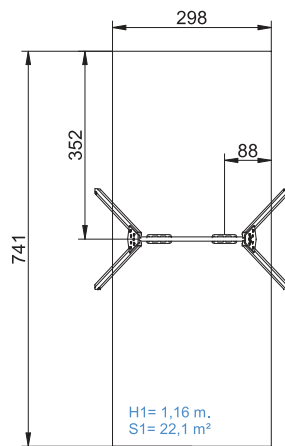
1 u.



0-3



L10A-IN\_P



116 cm.



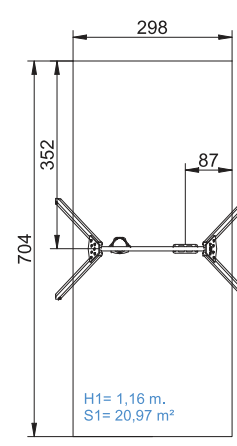
2 u.



3-14



L10AM-IN\_P



117 cm.



2 u.

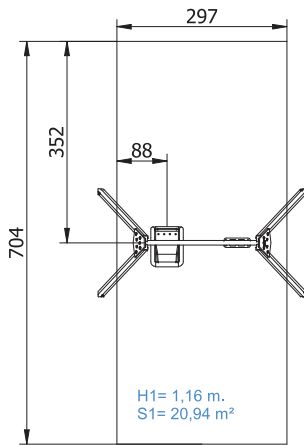


0-14





L10A-IN-i\_P



116 cm.



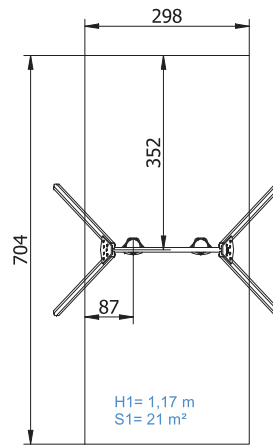
2 u.



3-14



L1001A-IN\_P



117 cm.



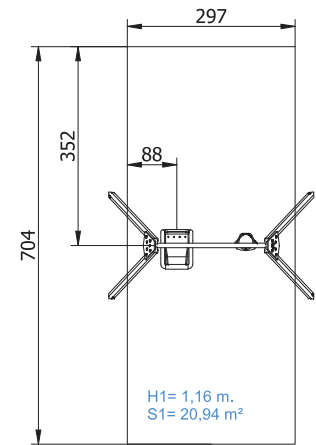
2 u.



0-3



L10A-IN-Mi\_P



116 cm.



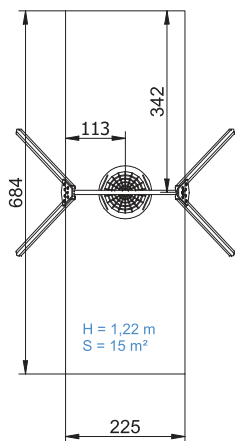
2 u.



0-14



L10A-IN-C\_P



122 cm.



5 u.



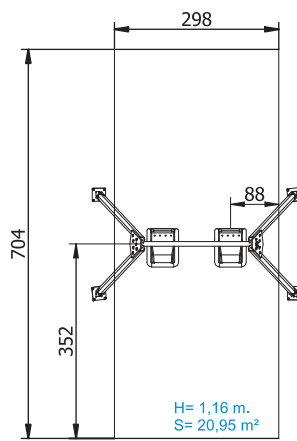
2-8



L10A-IN-ii\_P



NEW



116 cm.



2 u.



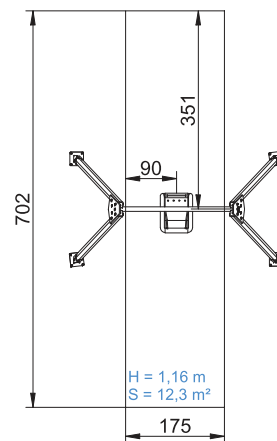
3-14



L10A-IN-C-i\_P



NEW



116 cm.



1 u.

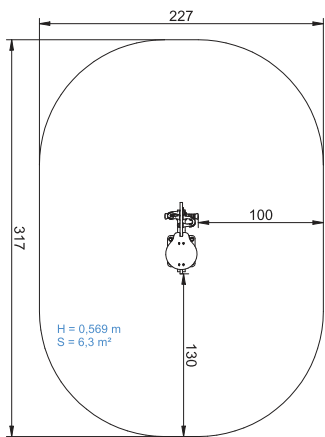


3-14



B90A\_P

NEW



57 cm.



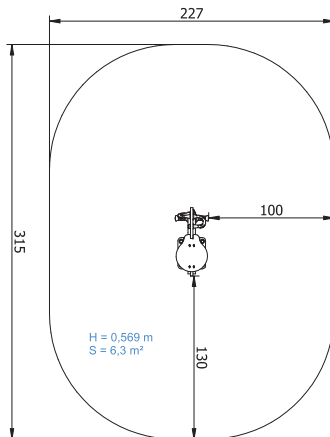
1 u.



2-6



B100A\_P



57 cm.



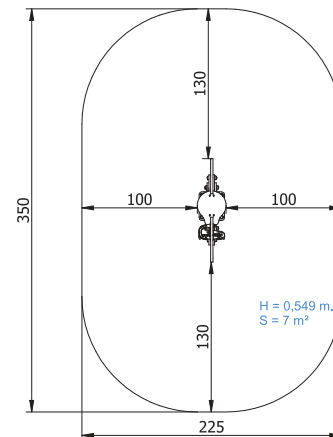
1 u.



2-6



B103A



55 cm.



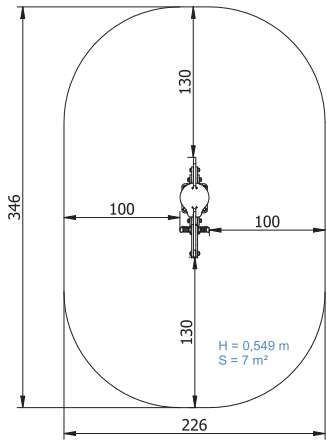
1 u.



2-6



B104A



55 cm.



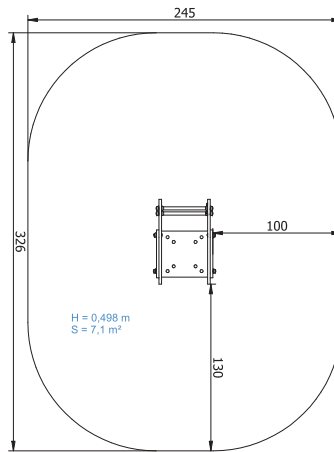
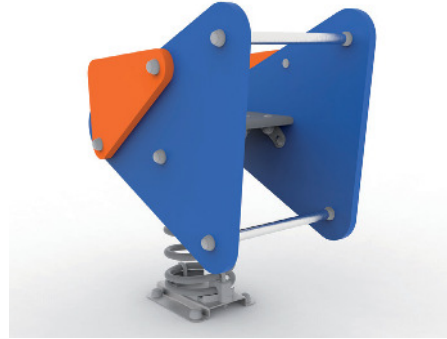
1 u.



2-6



B105A\_P



50 cm.



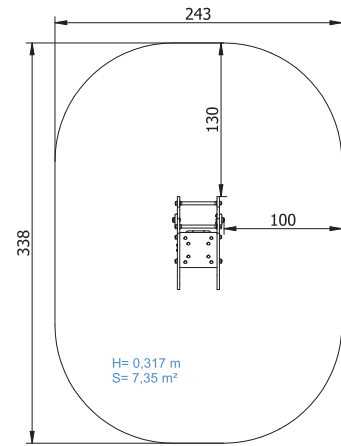
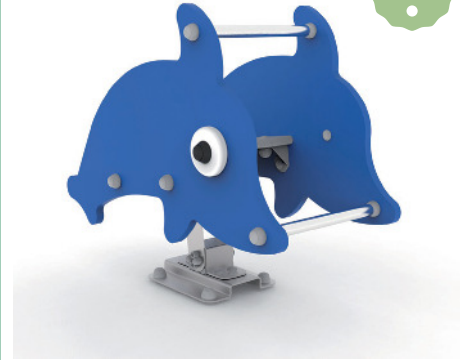
1 u.



2-6



PLA005



32 cm.



1 u.

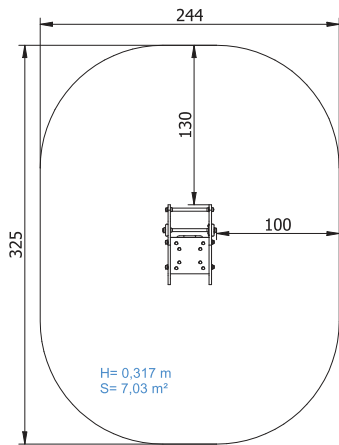


0-3





PLA006



32 cm.



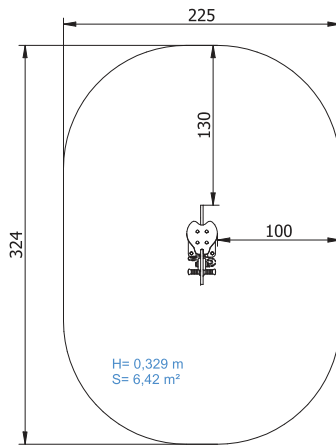
1 u.



0-3



PLA007



33 cm.



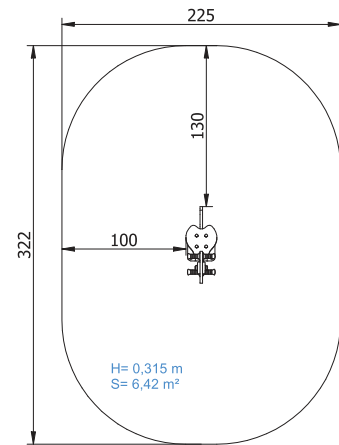
1 u.



0-3



PLA008



32 cm.



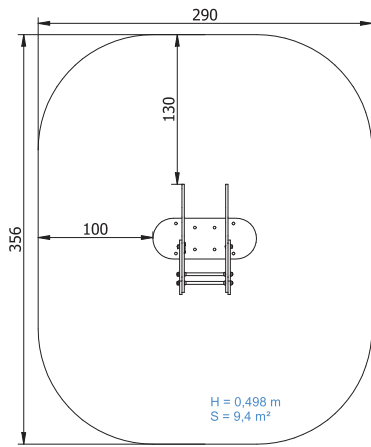
1 u.



0-3



U10A\_P



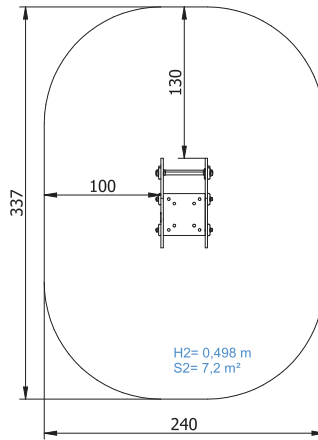
50 cm.

1 u.

2-6



U20A\_P



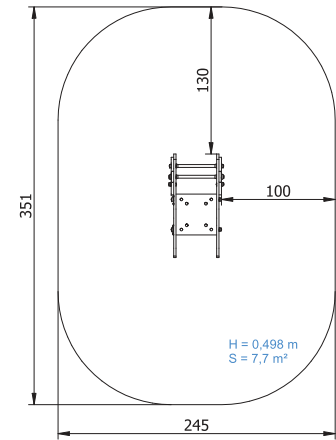
50 cm.

1 u.

2-6



U30A\_P



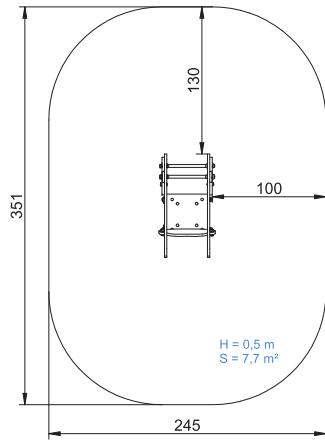
50 cm.

1 u.

2-6



U30Ai\_P



50 cm.



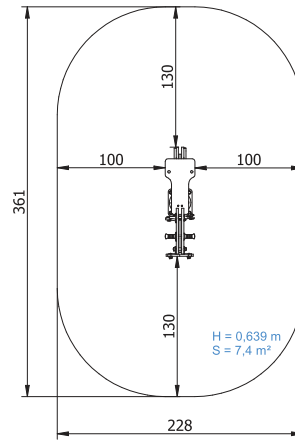
1 u.



2-6



U40A\_P



64 cm.



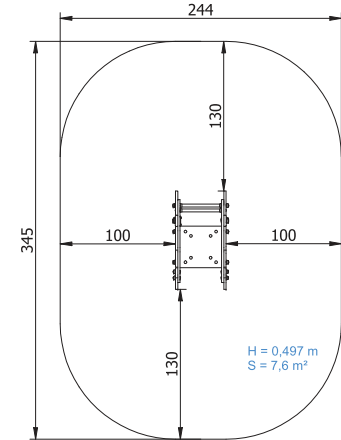
1 u.



2-6



U50A\_P



50 cm.



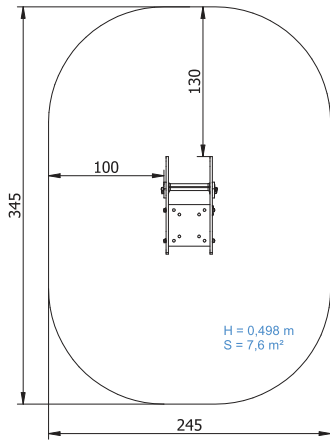
1 u.



2-6



U60A\_P



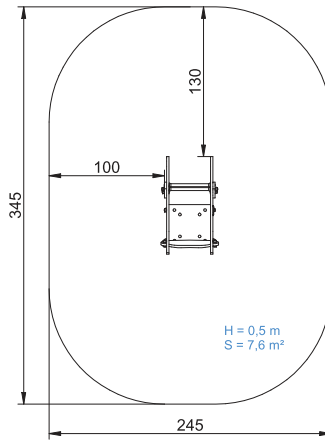
50 cm.

1 u.

2-6



U60Ai\_P



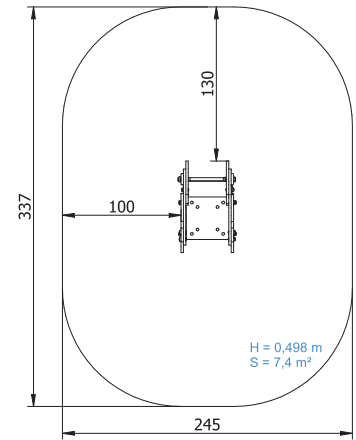
50 cm.

1 u.

2-6



U80A\_P



50 cm.

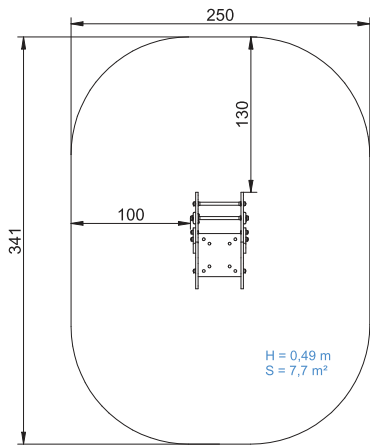
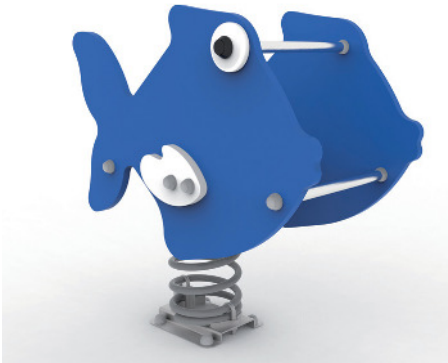
1 u.

2-6





U90A



49 cm.



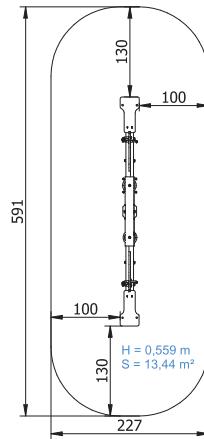
1 u.



2-6



B30B\_P



56 cm.



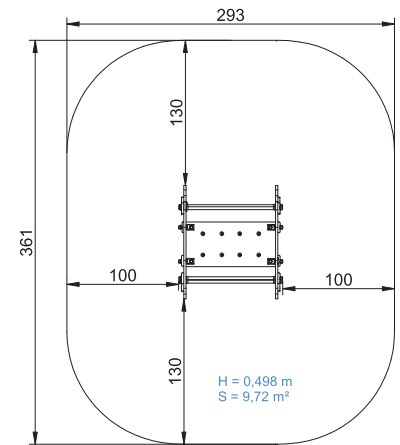
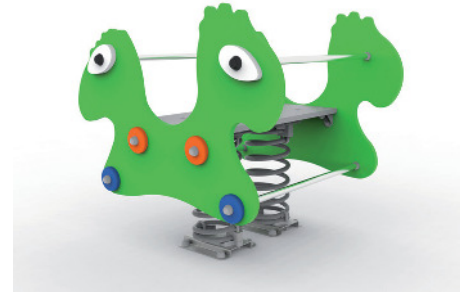
2 u.



2-6



B30C\_P



50 cm.



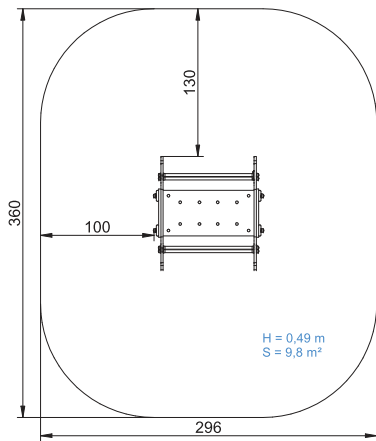
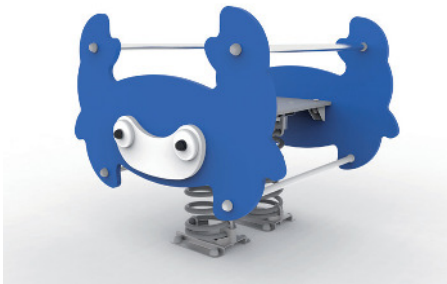
2 u.



2-6



B35A



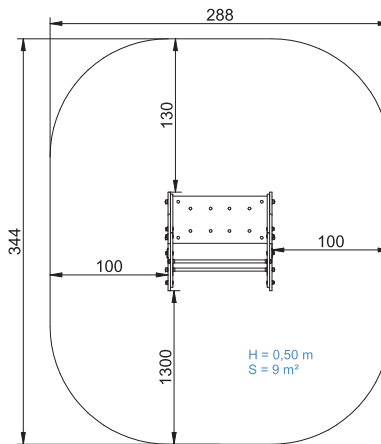
49 cm.

2 u.

2-6



B50A\_P



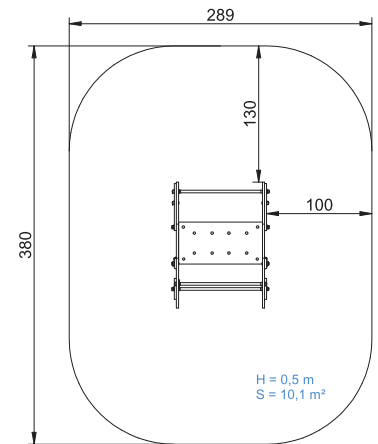
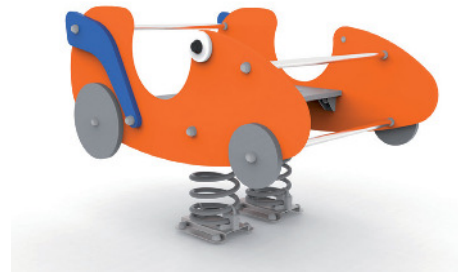
50 cm.

2 u.

2-6



B60A\_P



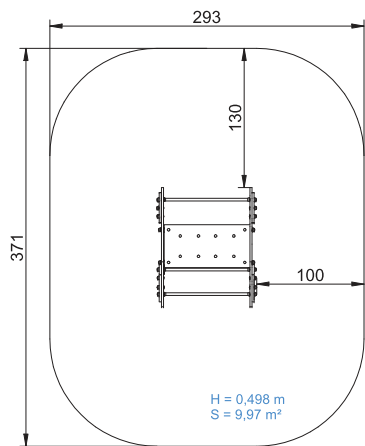
50 cm.

2 u.

2-6



B60D\_P



50 cm.



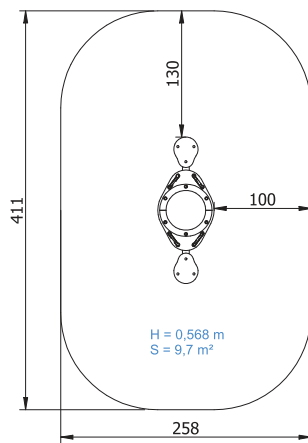
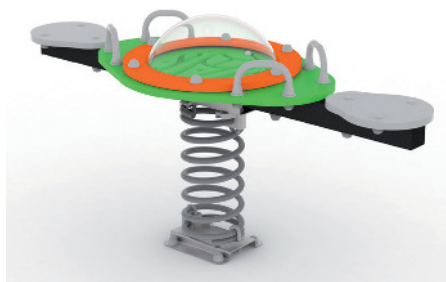
2 u.



2-6



B70A\_P



57 cm.



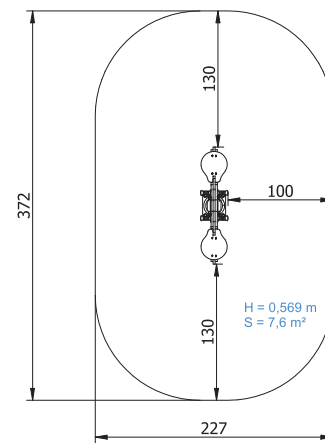
2 u.



2-6



B101A



57 cm.



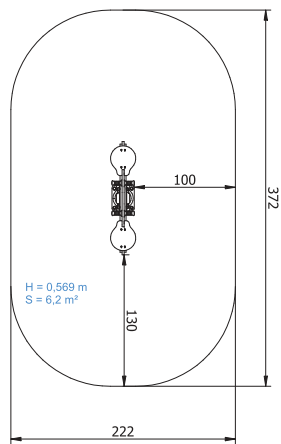
2 u.



2-6



B106A\_P



57 cm.



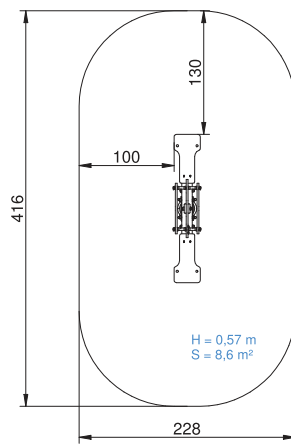
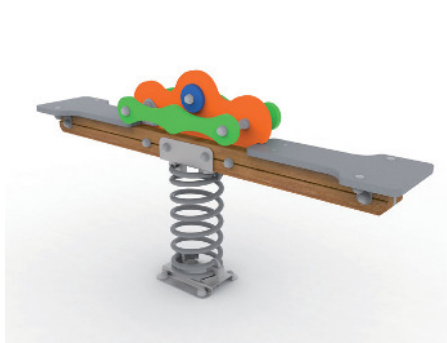
2 u.



2-6



U100A\_P



57 cm.



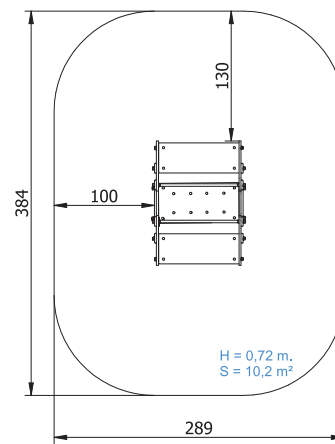
2 u.



2-6



B10A\_P



72 cm.



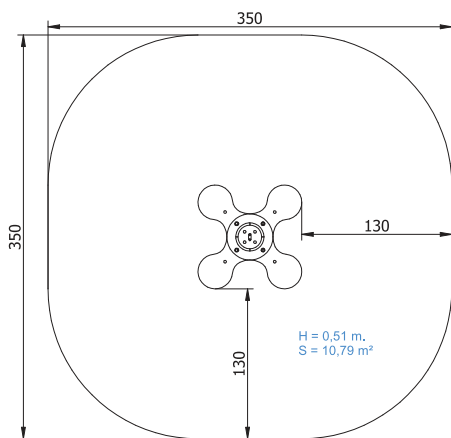
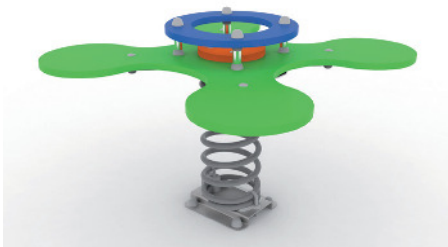
4 u.



2-6



B20A



51 cm.



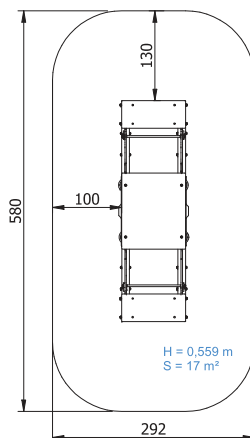
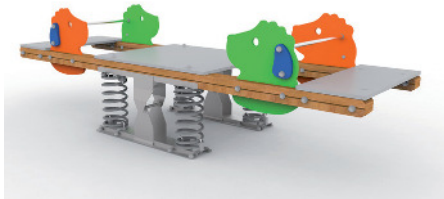
4u.



2-6



B30E\_P



56 cm.



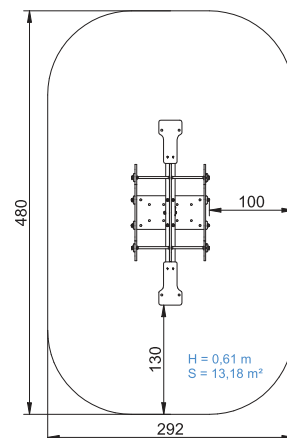
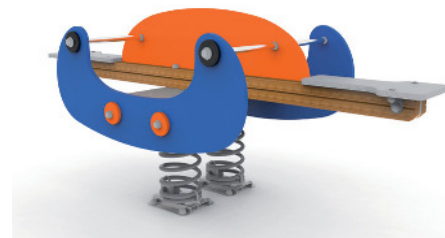
4 u.



2-6



B40B\_P



61 cm.



4 u.

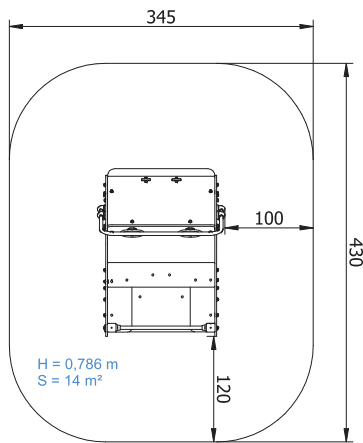
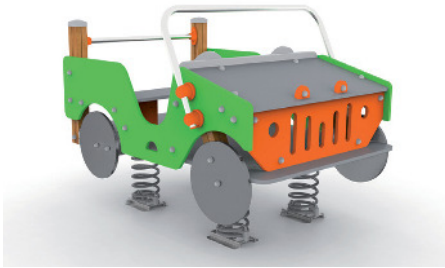


2-6





B110A\_P



79 cm.



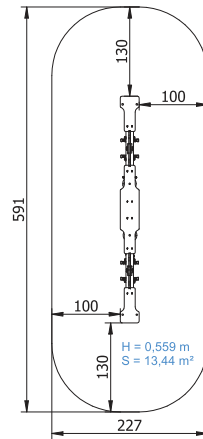
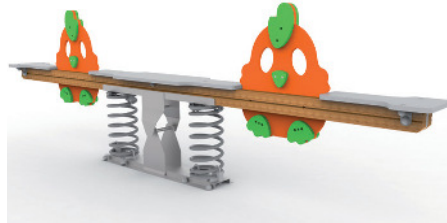
4 u.



2-6



B140B



56 cm.



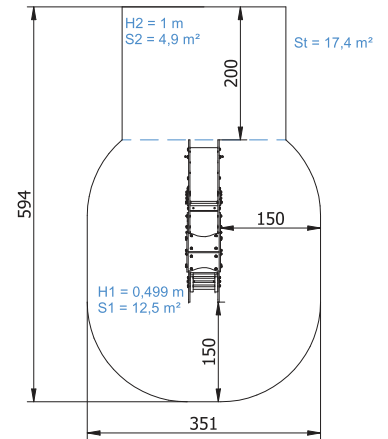
4 u.



2-6



T10A\_P



50 cm.



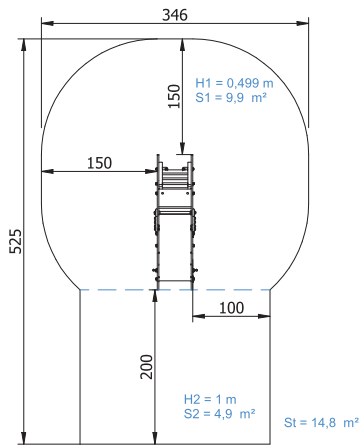
2 u.



2-6



T10B\_P



50 cm.



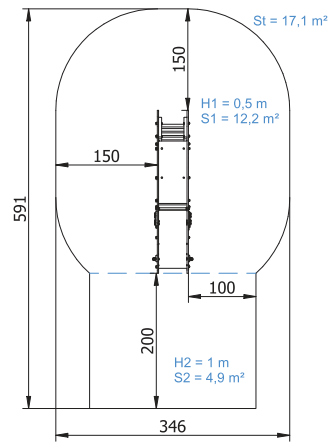
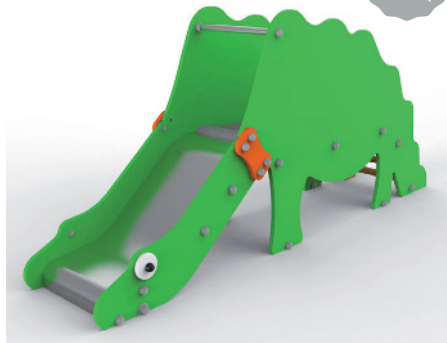
2 u.



1-4



T10C



50 cm.



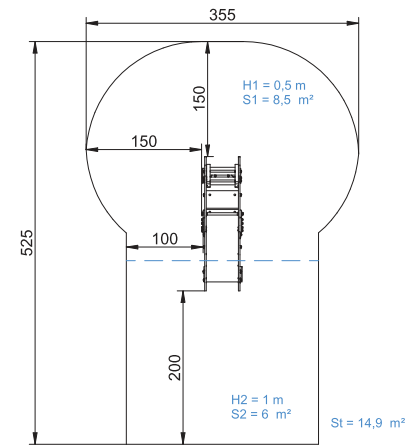
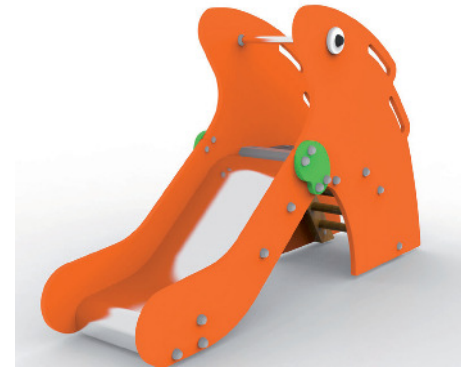
2 u.



1-4



T10D\_P



50 cm.



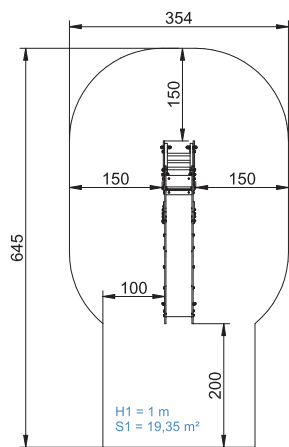
2 u.



1-4



T11\_P



100 cm.



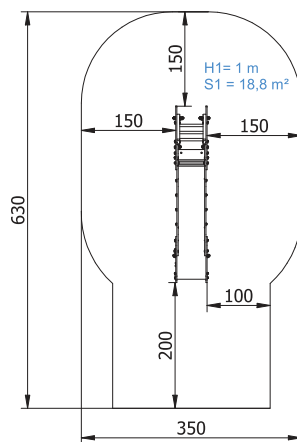
2 u.



2-8



T13



100 cm.



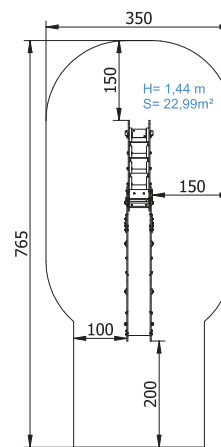
2 u.



2-8



T50A\_P



144 cm.



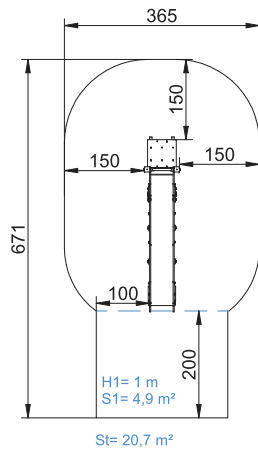
2 u.



2-8



T31C



100 cm.



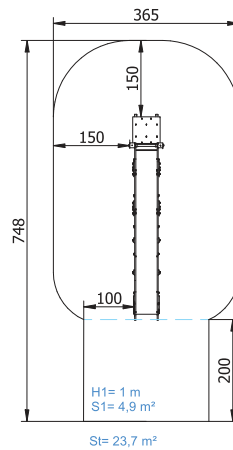
1 u.



2-8



T41C



100 cm.



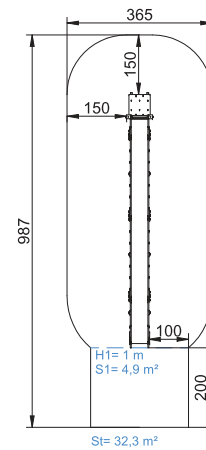
1 u.



2-8



T71C\_P



100 cm.



1 u.



4-14







# NATURA





SB

SBA



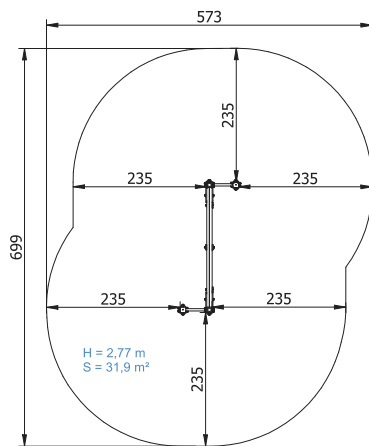
SDZ

SDA



# Natura

C101A-N



277 cm.



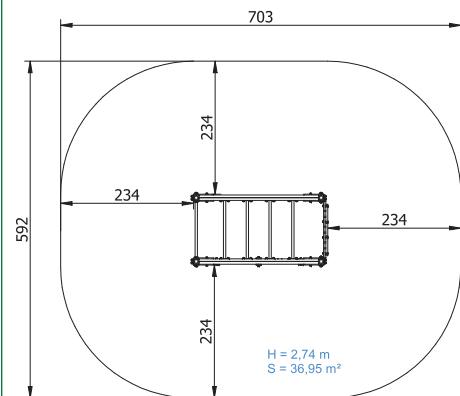
4 u.



4-14



C103-N



274 cm.



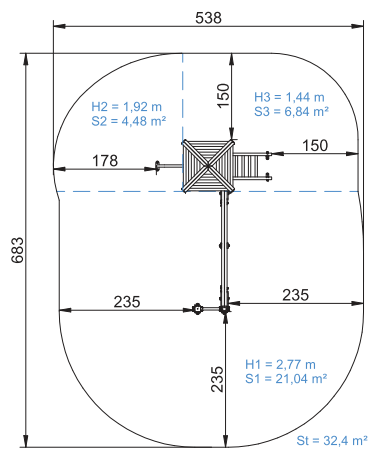
8 u.



4-14



### C200A-N



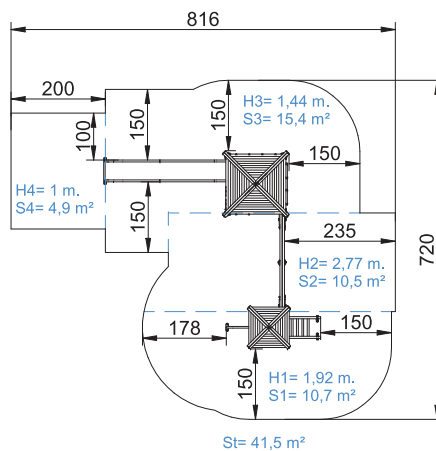
277 cm.

6 u.

4-14



### C301A-N



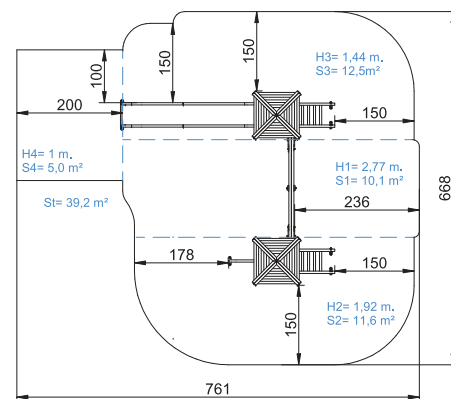
277 cm.

13 u.

4-14



### C301B-N



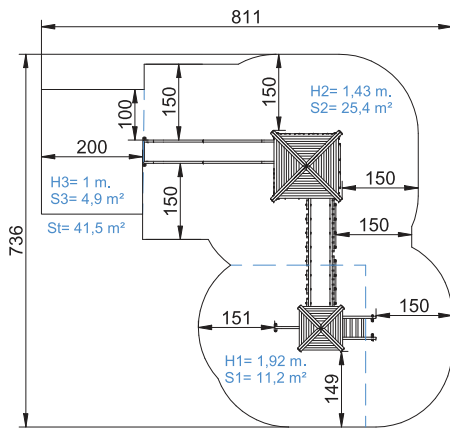
277 cm.

9 u.

4-14



C302A-N



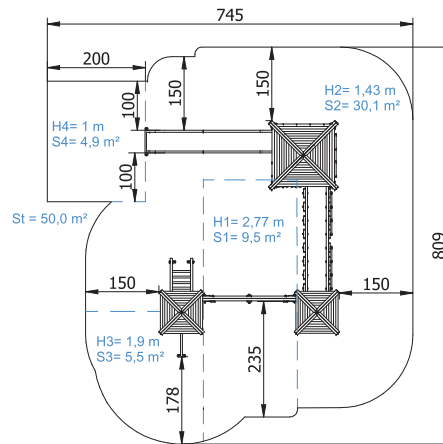
191 cm.

14 u.

4-14



C303A-N



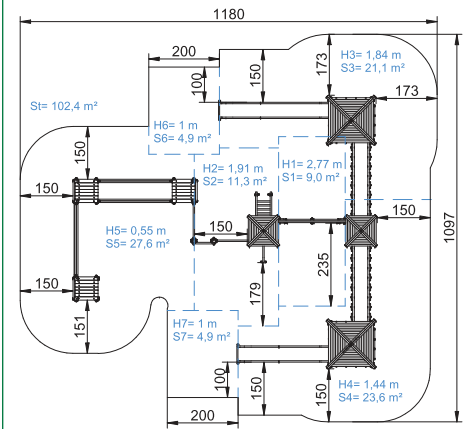
277 cm.

18 u.

4-14



C304A-N



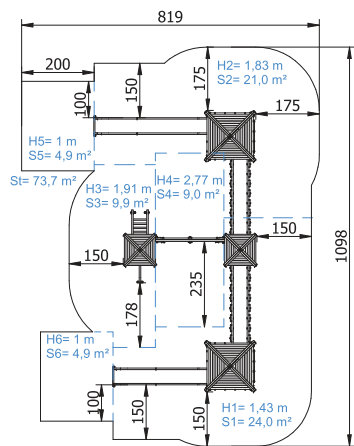
277 cm.

34 u.

4-14



C304B-N



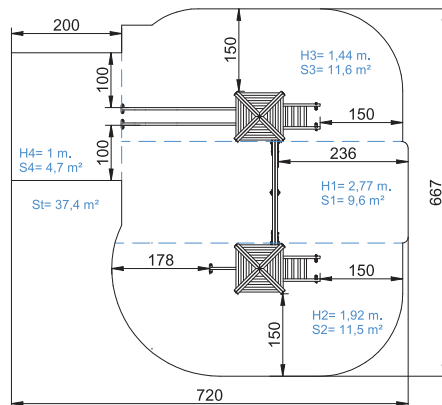
277 cm.

26 u.

4-14



C306B-N



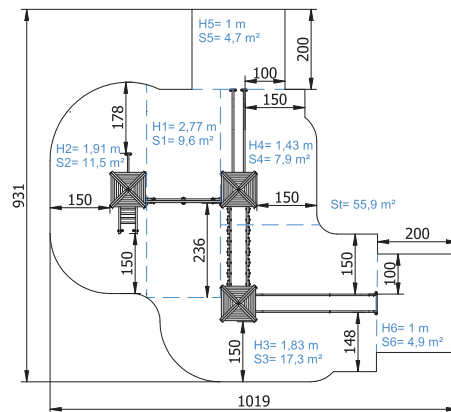
277 cm.

7 u.

4-14



C307B-N



277 cm.

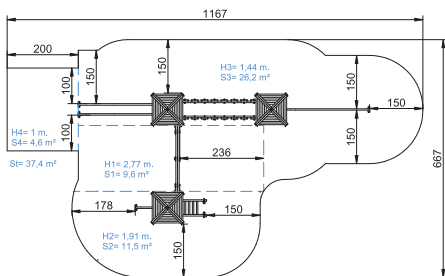
12 u.

4-14





C308B-N



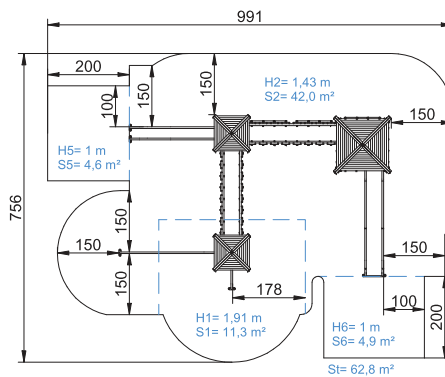
277 cm.

12 u.

4-14



C400A-N



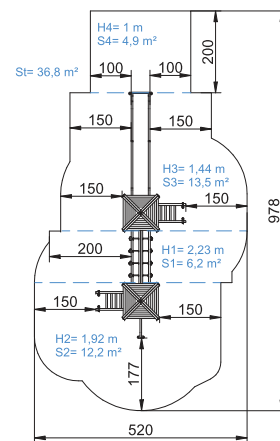
191 cm.

18 u.

4-14



C602B-N



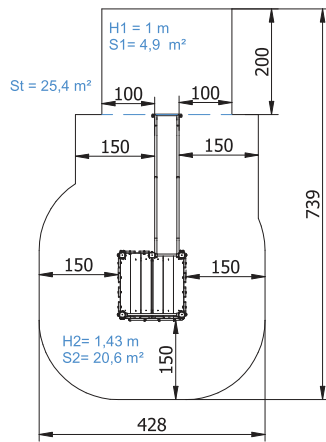
222 cm.

8 u.

4-14



T20A-N



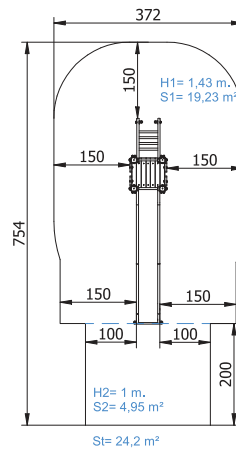
143 cm.

6 u.

4-14



T20B-N



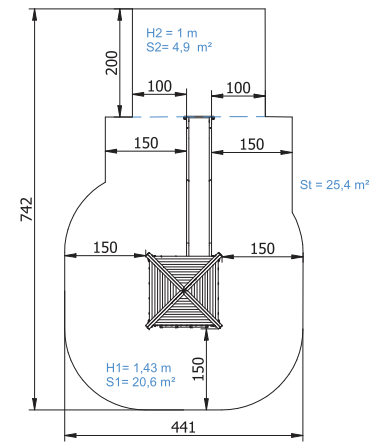
143 cm.

3 u.

4-14



T30A-N



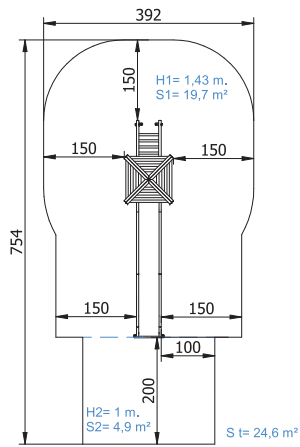
143 cm.

6 u.

4-14



T30B-N



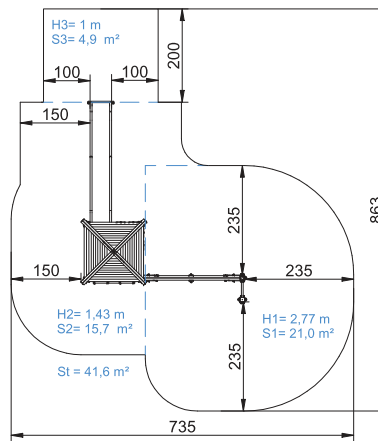
143 cm.

3 u.

4-14



T40A-N



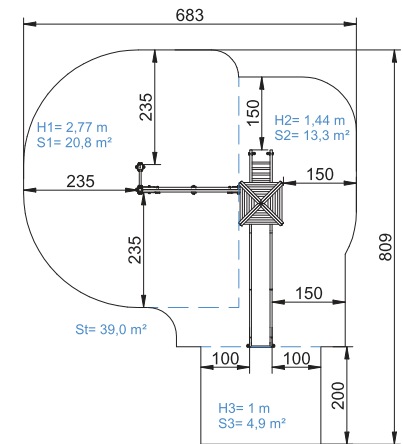
277 cm.

10 u.

4-14



T40B-N



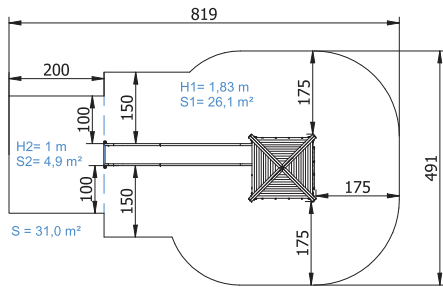
277 cm.

6 u.

4-14



T60A-N



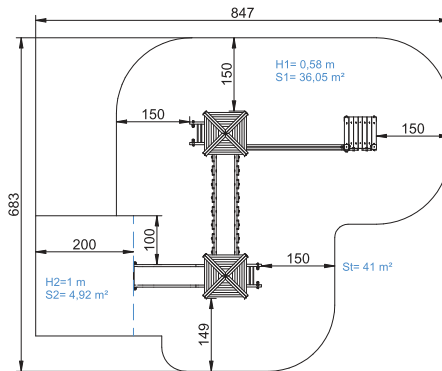
183 cm.

6 u.

4-14



F307-N



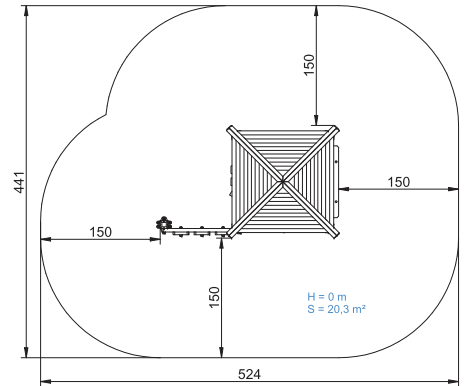
100 cm.

10 u.

2-6



F309-N



-

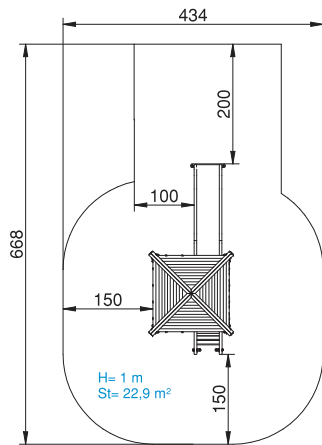
4 u.

2-6





T30Z-N



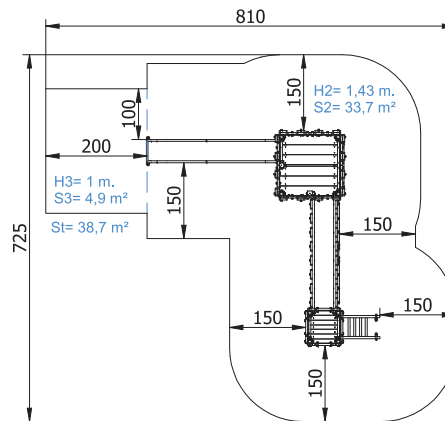
67 cm.

7 u.

2-6



C302A-NT



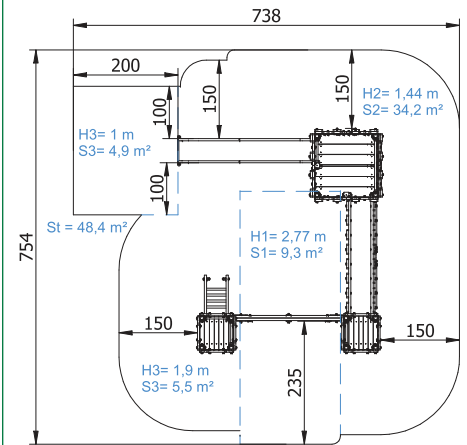
143 cm.

14 u.

4-14



C303A-NT



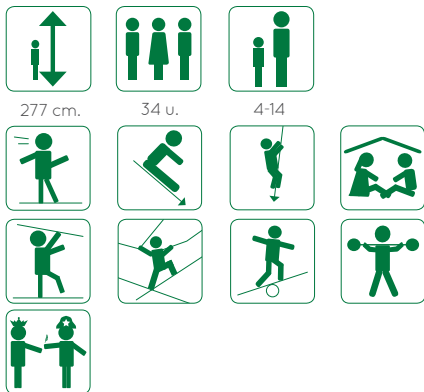
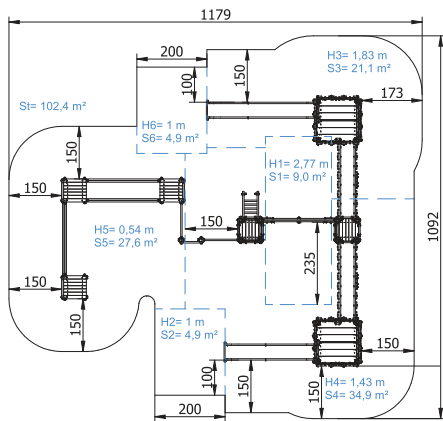
277 cm.

18 u.

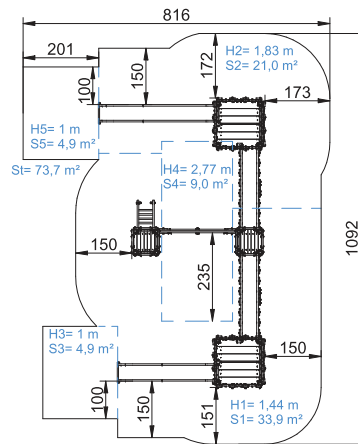
4-14



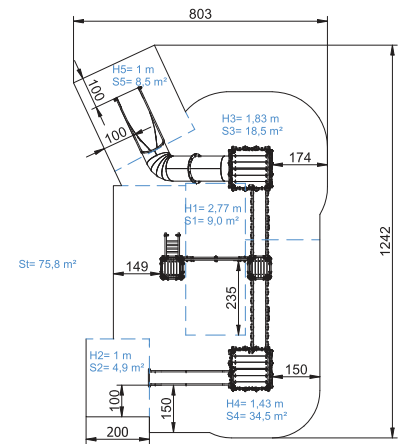
### C304A-NT



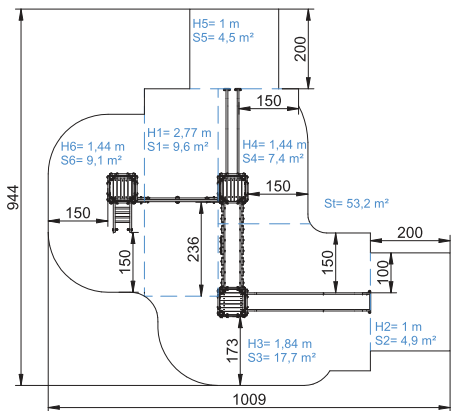
### C304B-NT



### C304F-NT



C307B-NT



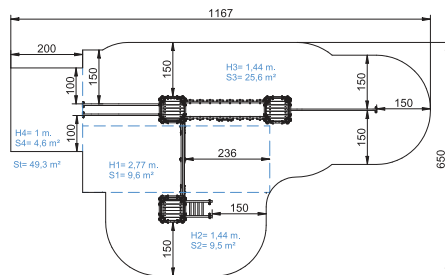
277 cm.

12 u.

4-14



C308B-NT



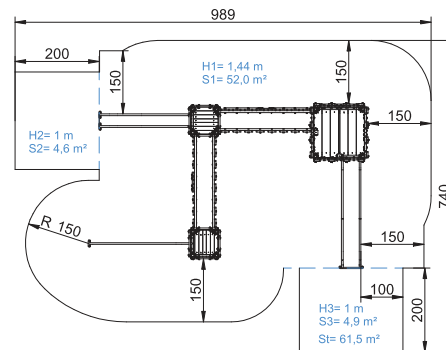
277 cm.

12 u.

4-14



C400A-NT



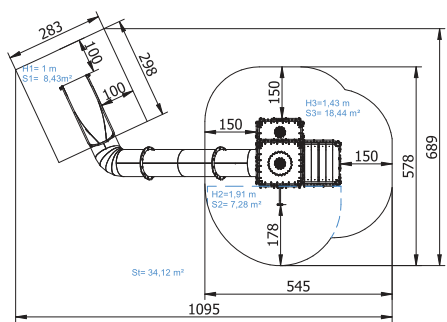
143 cm.

18 u.

4-14



JJ002-NT



191 cm.



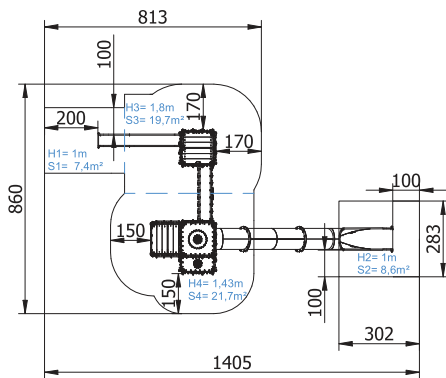
14 u.



4-14



JJ004-NT



180 cm.



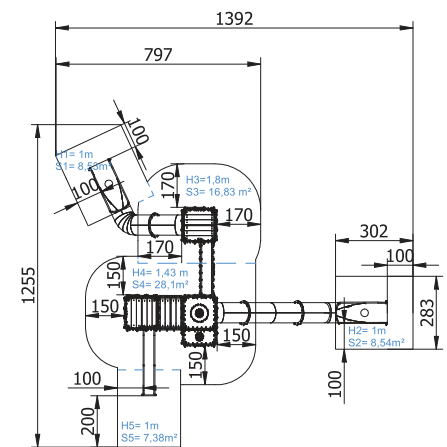
22 u.



4-14



JJ006-NT



180 cm.



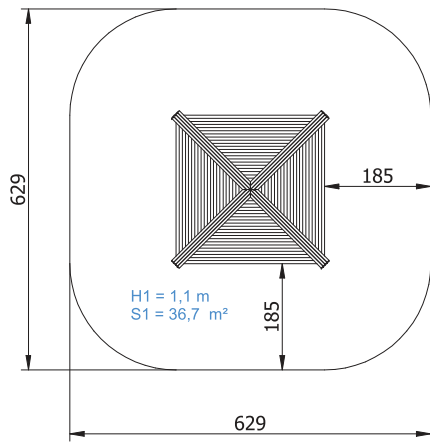
28 u.



4-14



TOMA



111 cm.



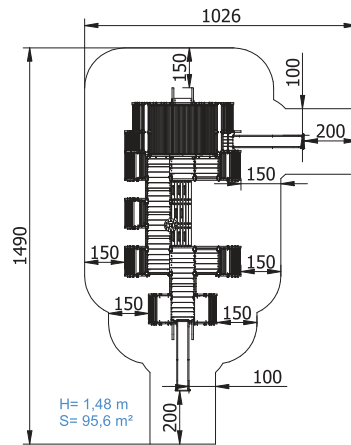
7 u.



5-14



BU01



144 cm.



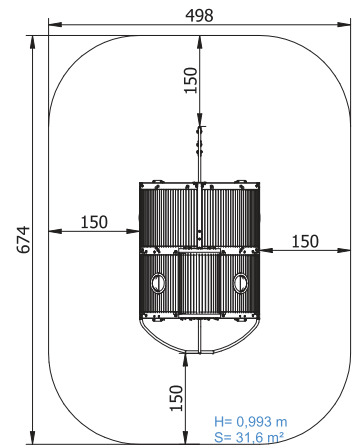
45 u.



5-14



BU04



99 cm.



25 u.

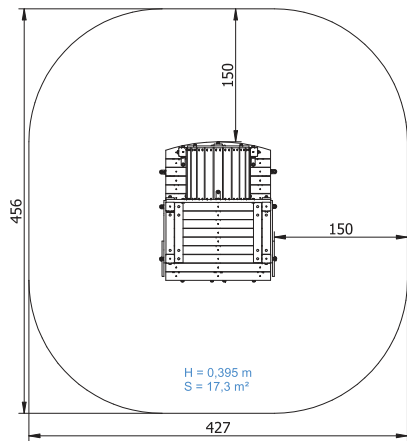


4-12





F600



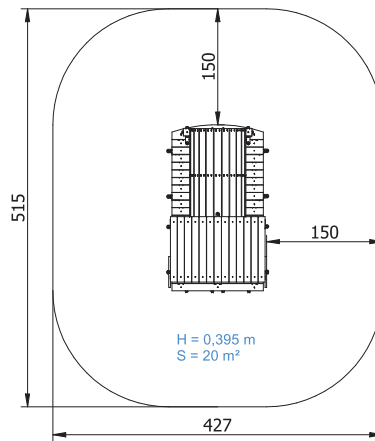
40 cm.

5 u.

2-6



F601



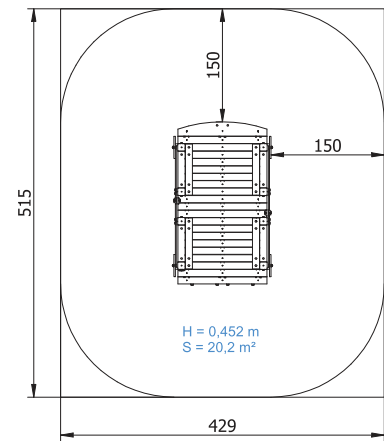
40 cm.

5 u.

2-6



F602



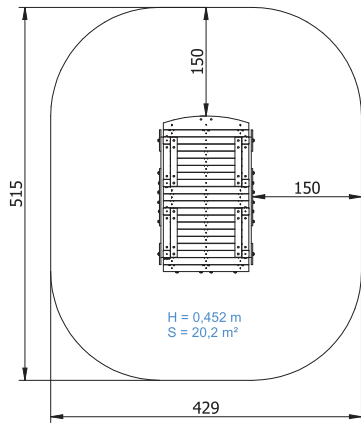
45 cm.

6 u.

2-6



F603



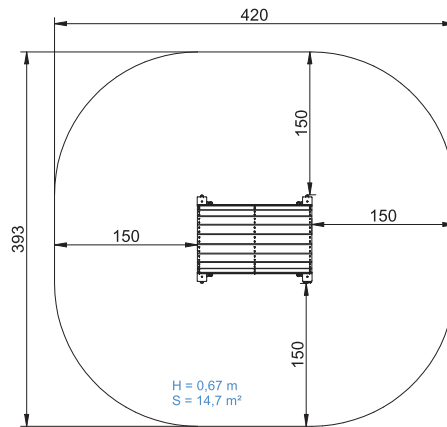
45 cm.

4 u.

2-6



F604



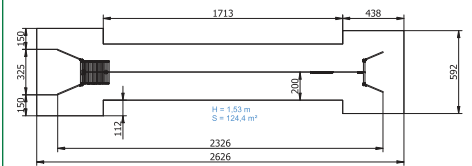
67 cm.

2 u.

2-6



XVHX001



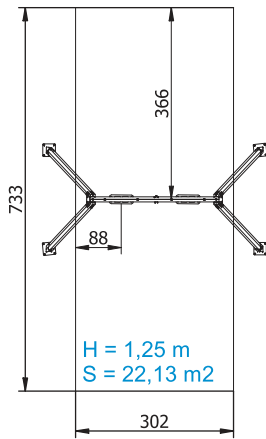
153 cm.

1 u.

4-14



L601



125 cm.



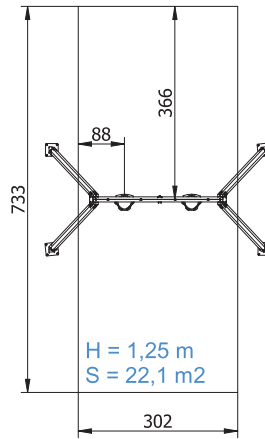
2 u.



3-14



L601C



126 cm.



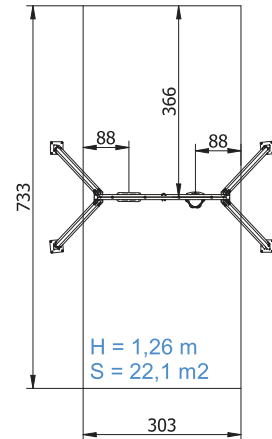
2 u.



0-3



L601M



126 cm.



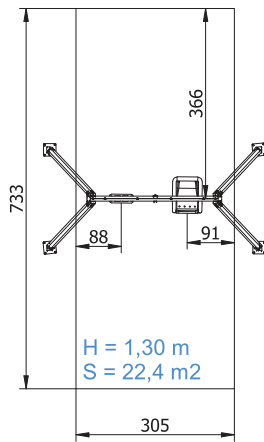
2 u.



0-14



L601i



130 cm.



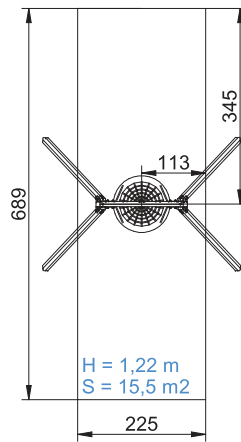
2 u.



3-14



L603



122 cm.



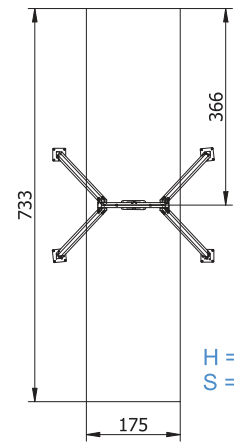
5 u.



2-8



L602



125 cm.



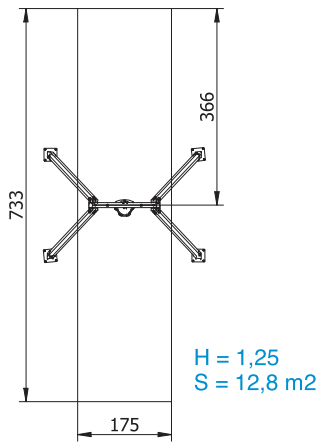
1 u.



3-14



L602C



125 cm.



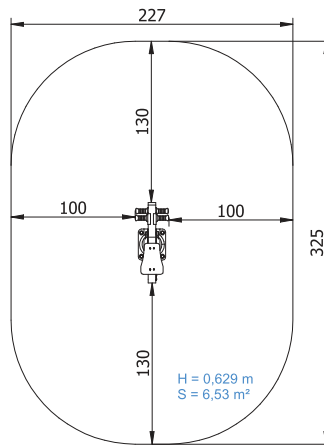
1 u.



0-3



B200A



63 cm.



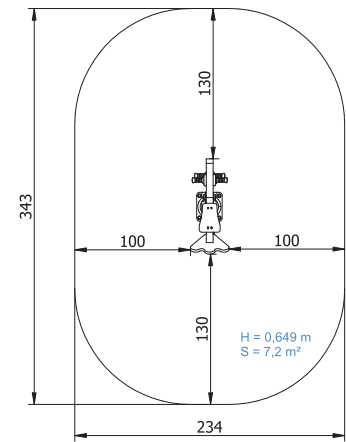
1 u.



2-6



B201A



65 cm.



1 u.

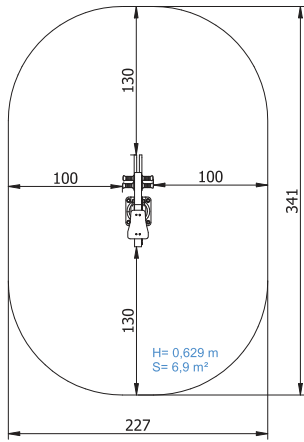


2-6





B202A



63 cm.



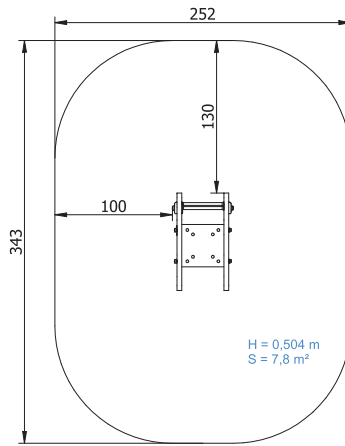
1 u.



2-6



B206A



50 cm.



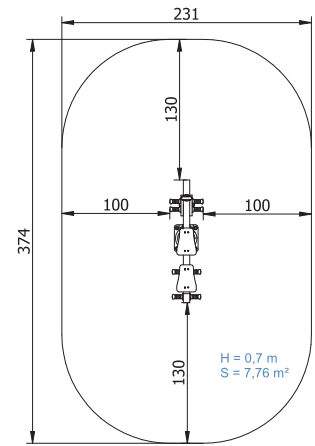
1 u.



2-6



B203A



70 cm.



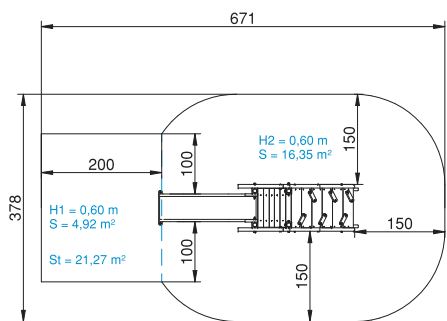
2 u.



2-6



PEZO8-N



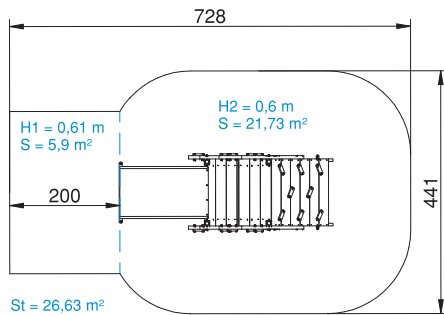
60 cm.

3 u.

1-4



PEZO9-N



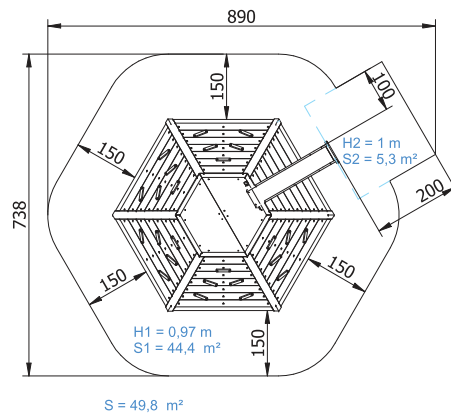
60 cm.

9 u.

1-4



PIRATRUN



100 cm.

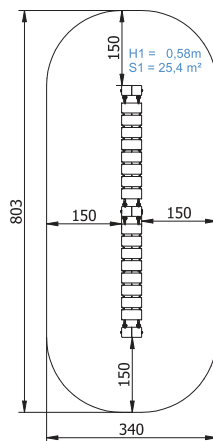
7 u.

5-14



## Robinia

PAS01



58 cm.



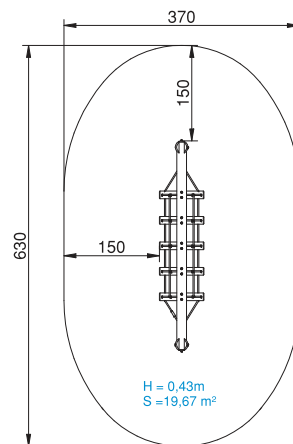
2 u.



4-8



PAS02



43 cm.



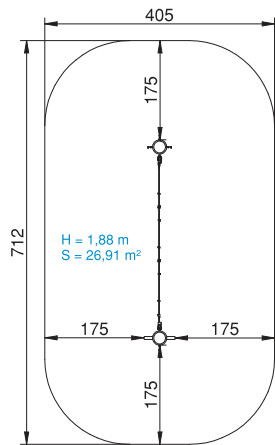
3 u.



5-12



## REDPAR



188 cm.



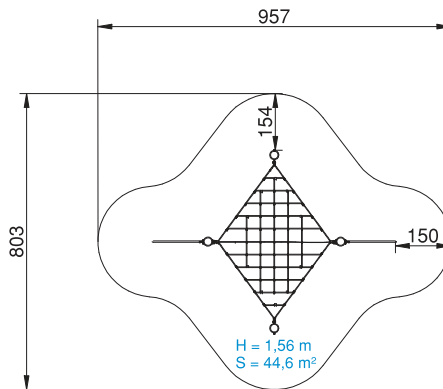
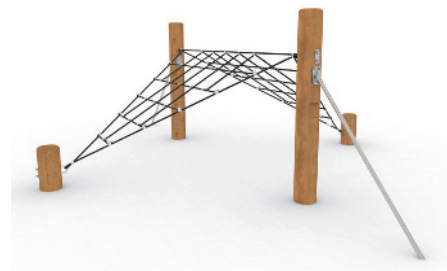
3 u.



5-12



## REDTRI



156 cm.



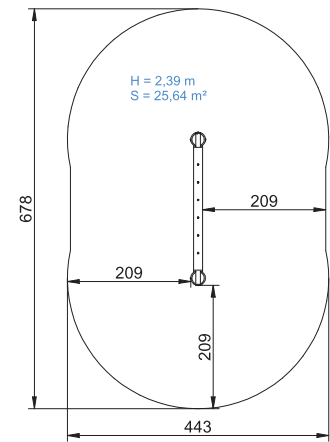
4 u.



5-12



## REDVER



239 cm.



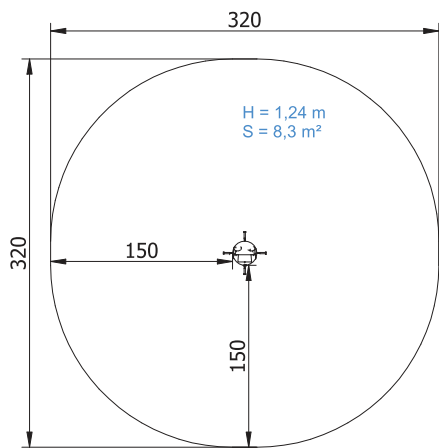
4 u.



5-12



TOT01



124 cm.



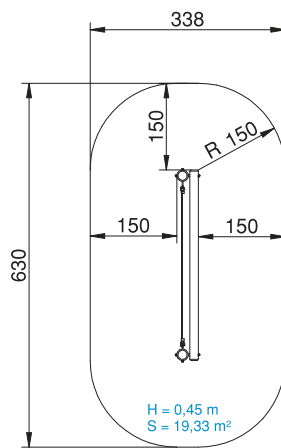
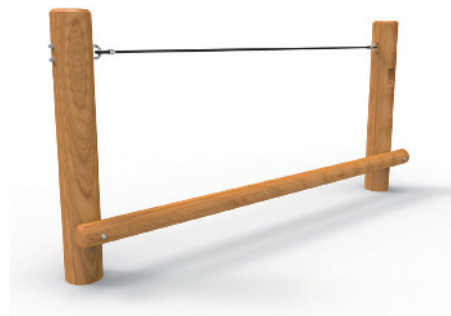
+ 2 u.



+ 2



VIEQ



45 cm.



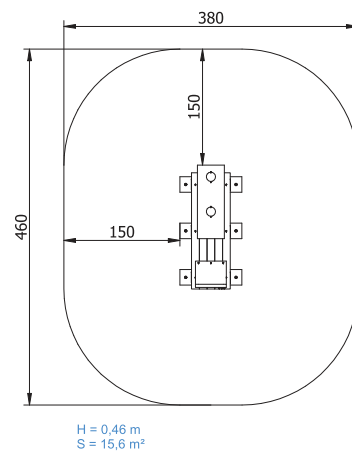
3 u.



5-12



VT01



46 cm.



1 u.

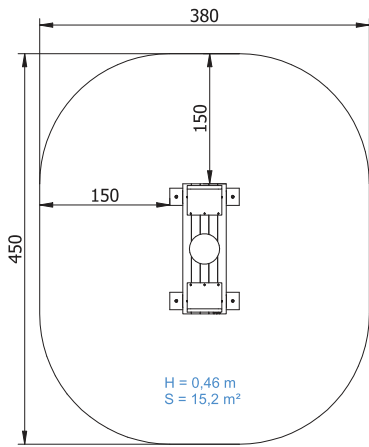


3-10





VT02



46 cm.



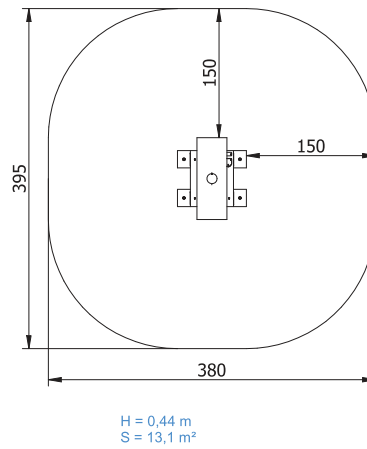
2 u.



3-10



VT03



44 cm.



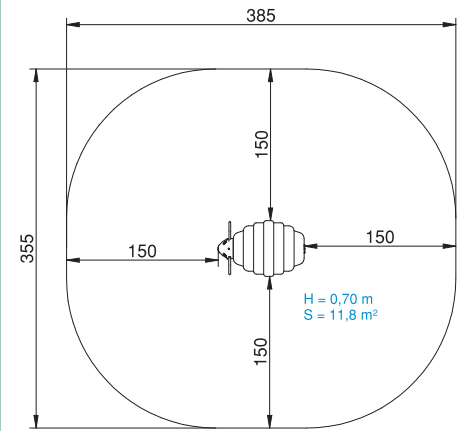
2 u.



3-10



VT04



70 cm.



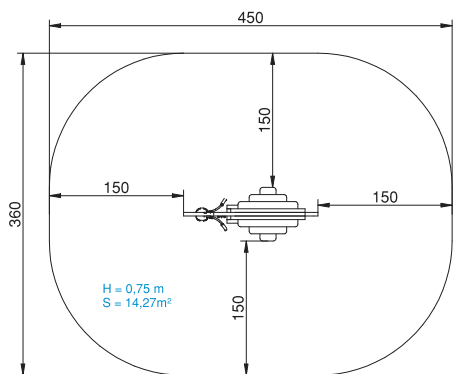
1 u.



2-8



VT05



75 cm.



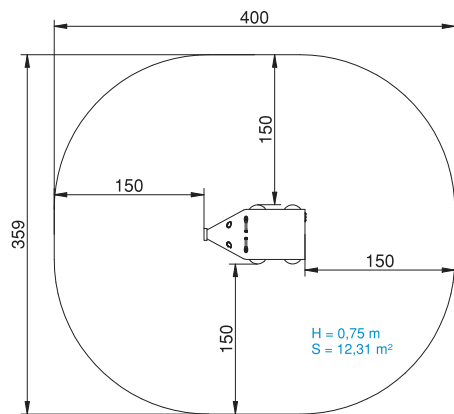
1 u.



2-8



VT06



75 cm.



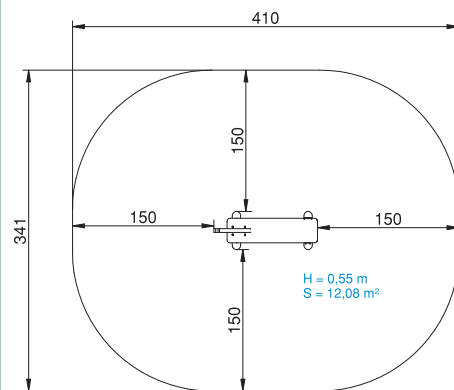
1 u.



2-8



VT07



55 cm.



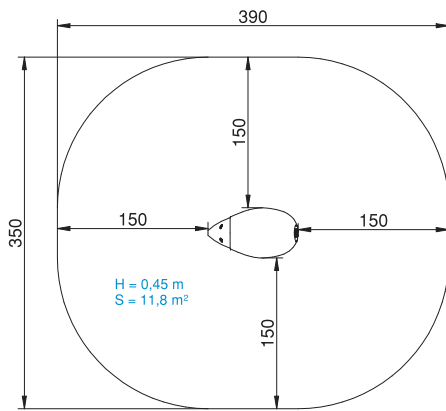
1 u.



2-8



VT08



45 cm.



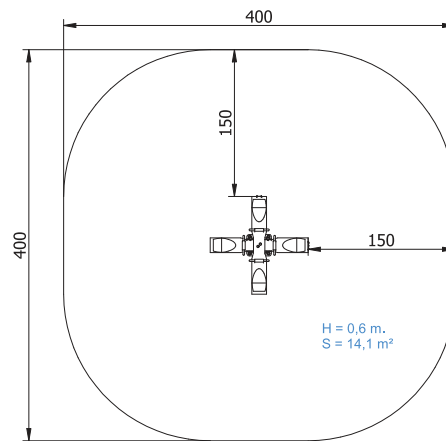
1 u.



2-8



B109A



60 cm.



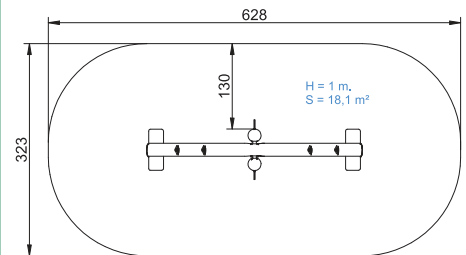
4 u.



2-6



B109B



97 cm.



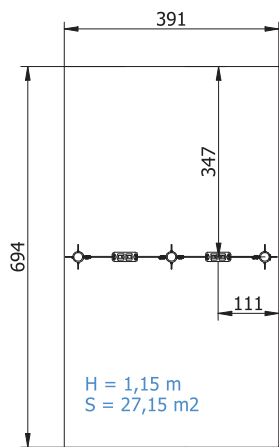
4 u.



2-6



L611



114 cm.



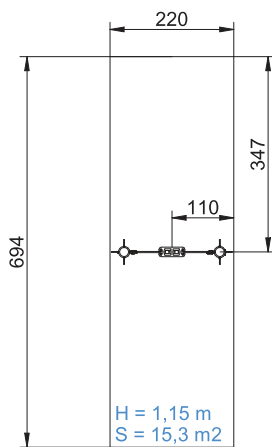
2 u.



3-14



L610



114 cm.



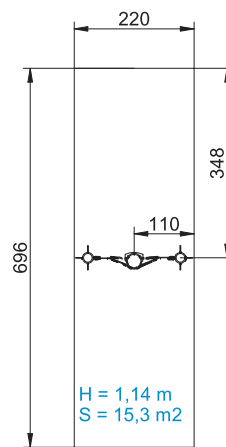
1 u.



3-14



L610C



114 cm.



1 u.



0-3











# ECOPARK





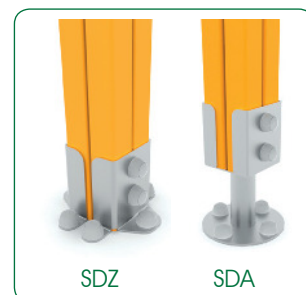
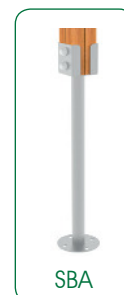
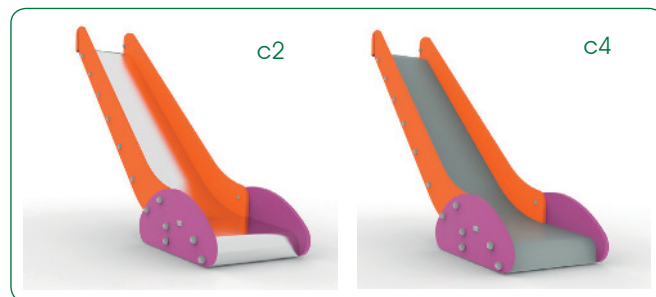
Consultar / Check / Consulter / Consultare / Aanvragen





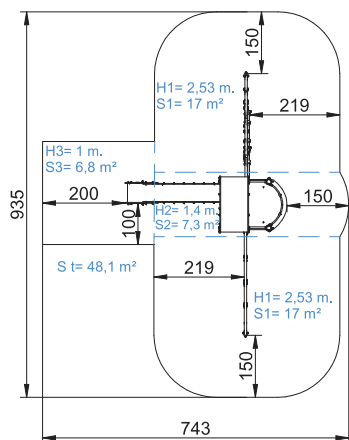


# FUSIÓN



Fusión

AF001AL



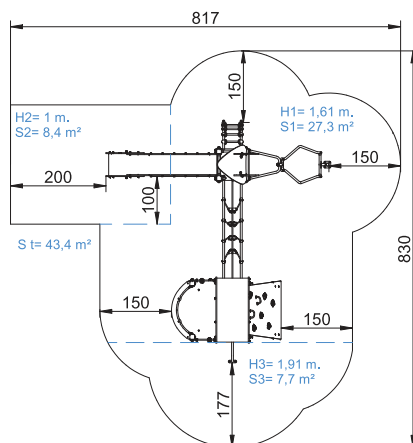
253 cm.

12 u.

4-14



AF002AL



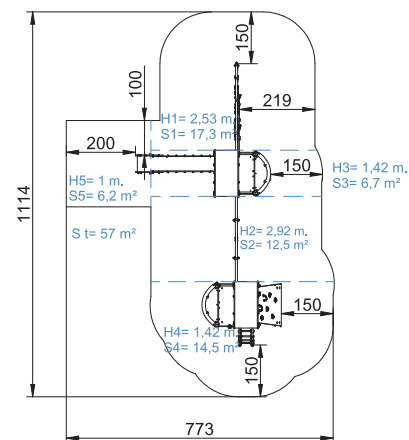
191 cm.

20 u.

4-14



AF003AL



291 cm.

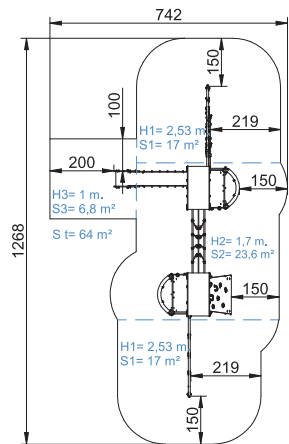
20 u.

4-14





AF004AL



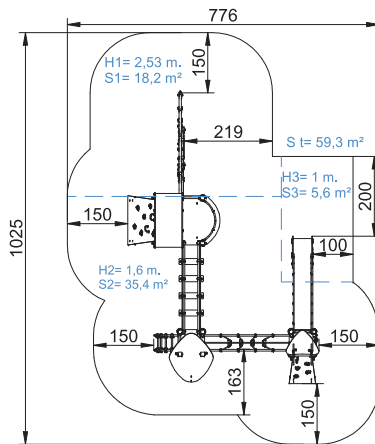
253 cm.

26 u.

4-14



AF005AL



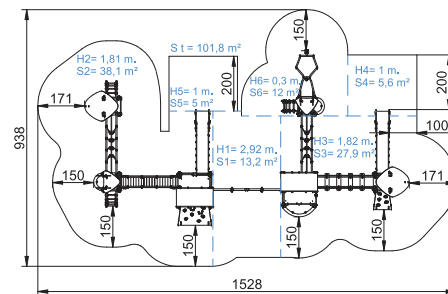
253 cm.

24 u.

4-14



AF006AL



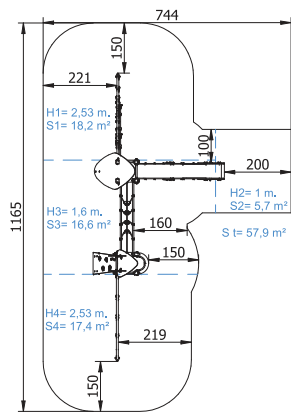
291 cm.

45 u.

4-14



### DF001AL



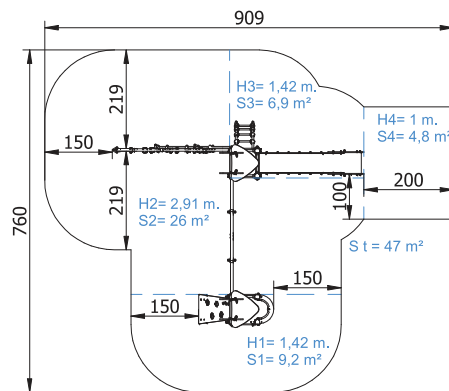
253 cm.

12 u.

4-14



### DF002AL



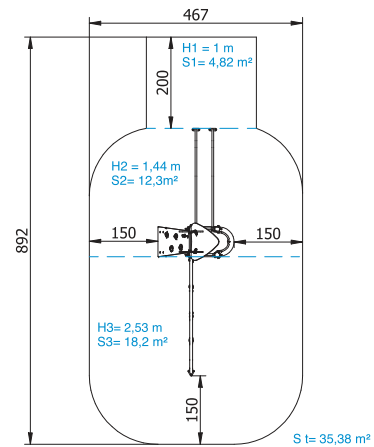
291 cm.

10 u.

4-14



### DF003AL



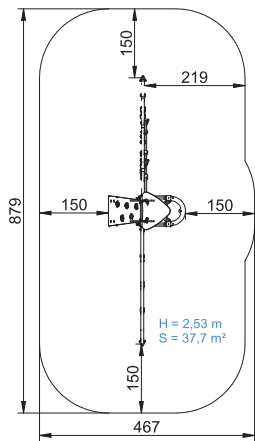
253 cm.

6 u.

4-14



DF004AL



253 cm.



7 u.



4-14



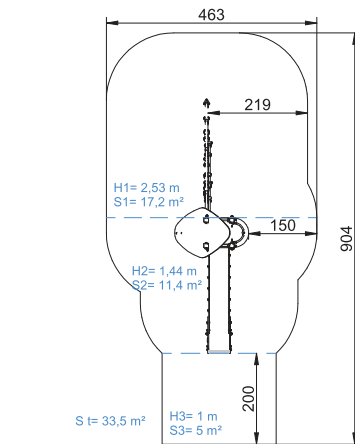
253 cm.



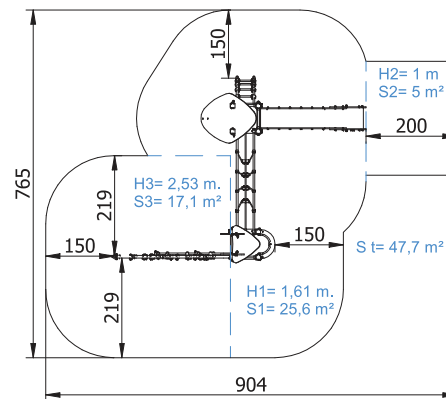
6 u.



4-14



DF006AL



253 cm.



10 u.



4-14



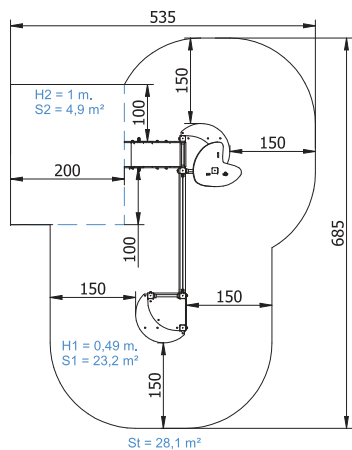




## C202AL



NEW



100 cm.



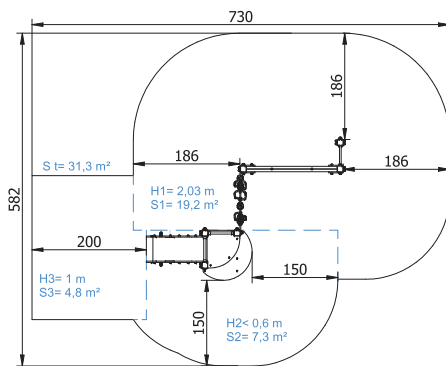
6 u.



2-8



## C203AL



203 cm.



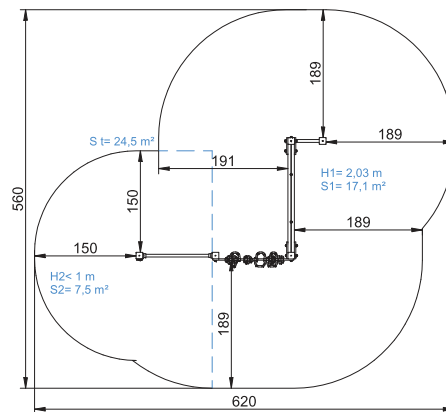
5 u.



2-8



## C205AL



203 cm.



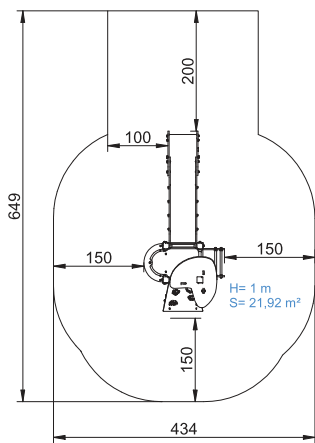
4 u.



2-8



C206AL



100 cm.

4 u.

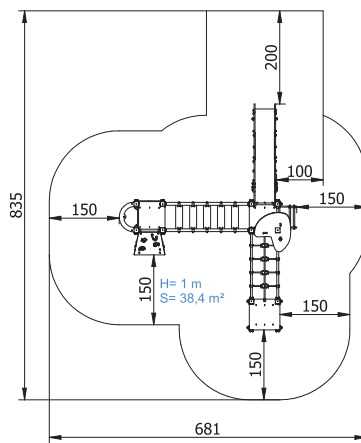
2-8



C207AL



NEW



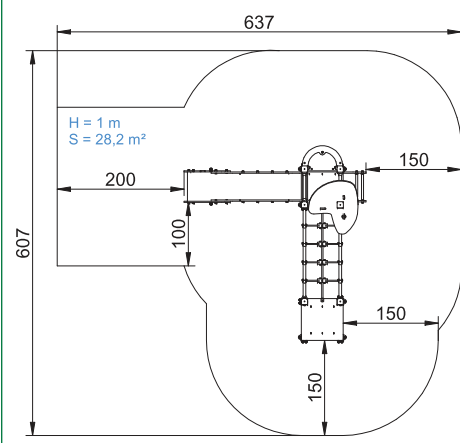
100 cm.

9 u.

3-8



C208AL



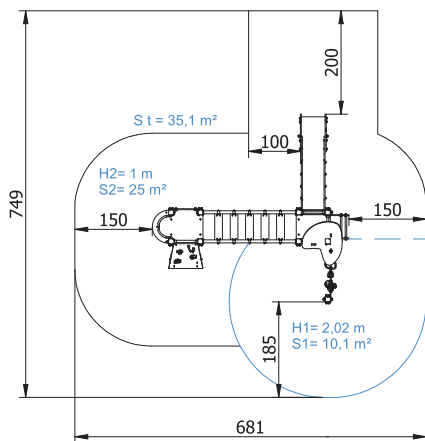
100 cm.

5 u.

3-8



## C209AL



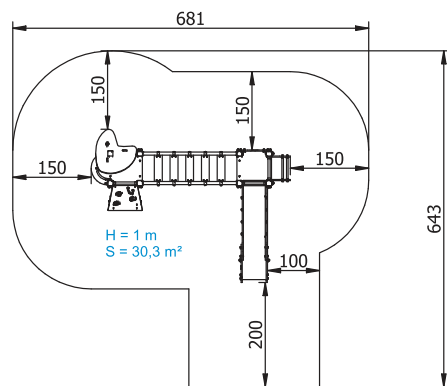
202 cm.

8 u.

3-8



## C210AL



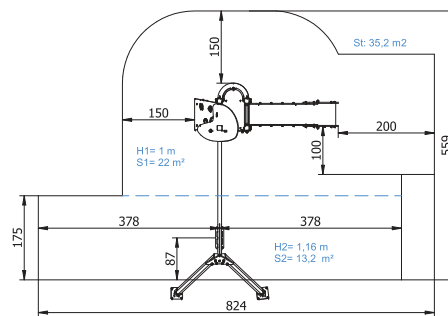
100 cm.

6 u.

3-8



## C211AL



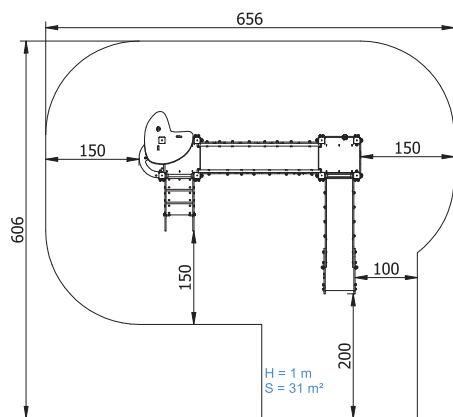
116 cm.

4 u.

2-8



## C225AL



100 cm.



6 u.



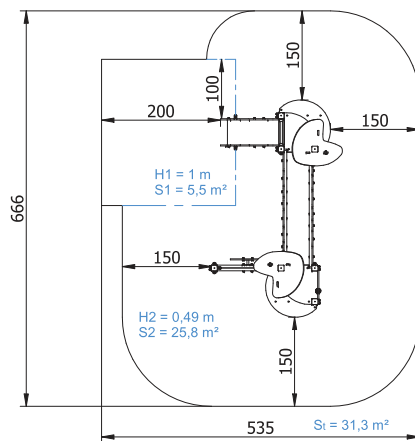
2-8



## C226AL



NEW



50 cm.



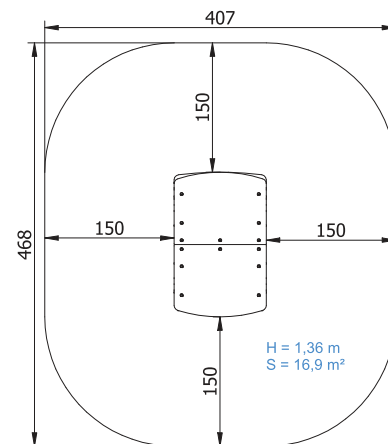
8 u.



2-8



## F312AL



137 cm.



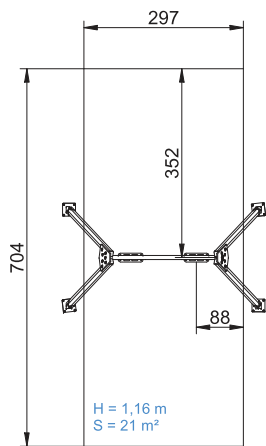
4 u.



2-6



### L10A-Z\_PAL



116 cm.



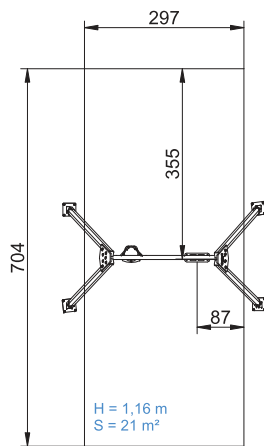
2 u.



3-14



### L10AM-Z\_PAL



116 cm.



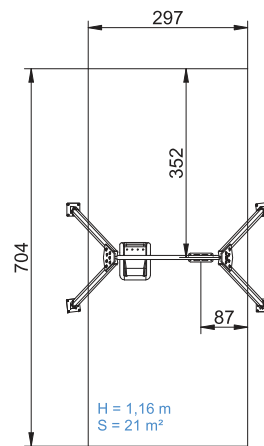
2 u.



0-14



### L10A-Z\_i\_PAL



116 cm.



2 u.

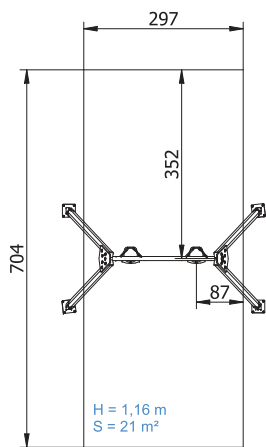


3-14





L1001A-Z\_PAL



116 cm.



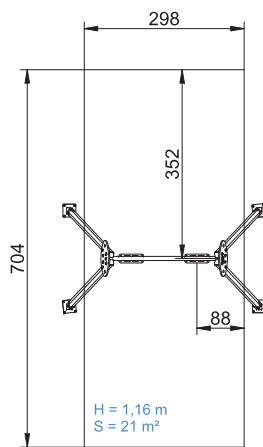
2 u.



0-3



L12D\_PAL



116 cm.



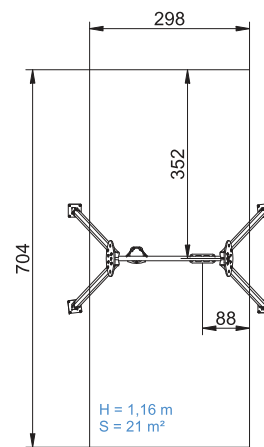
2 u.



3-14



L12DM\_PAL



116 cm.



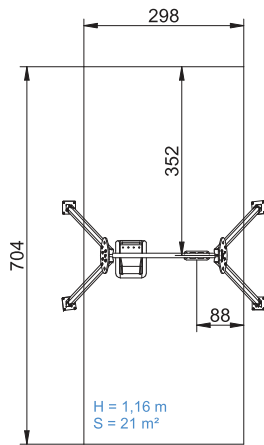
2 u.



0-14



### L12D-i\_PAL



116 cm.



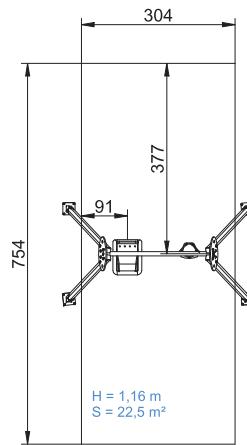
2 u.



3-14



### L12DM-i\_PAL



116 cm.



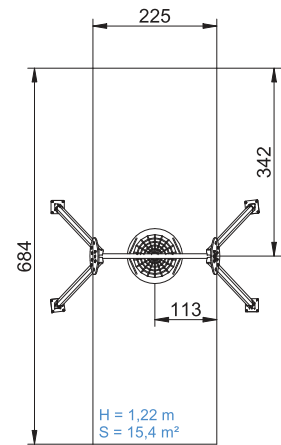
2 u.



0-14



### L12\_PAL



122 cm.



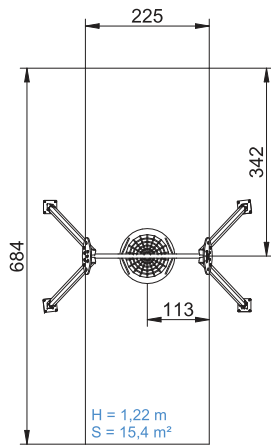
5 u.



2-8



L12A-Z\_PAL



122 cm.



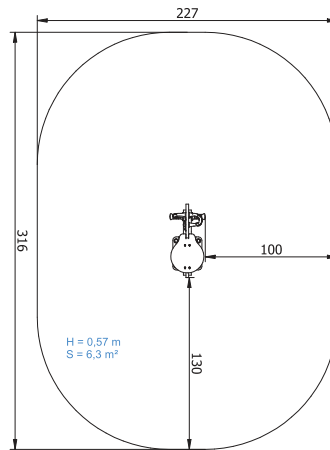
5 u.



2-8



B80A\_P



57 cm.



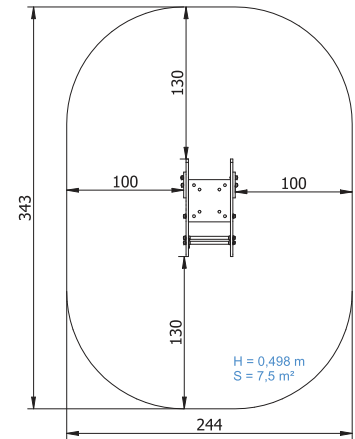
1 u.



2-6



B102A



50 cm.



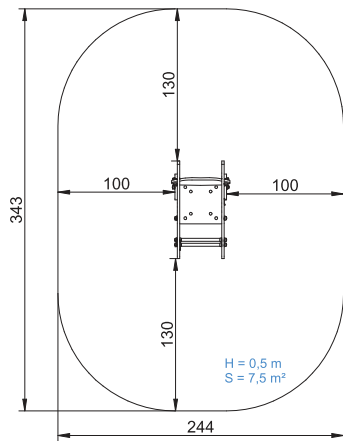
1 u.



2-6



B102Ai



50 cm.



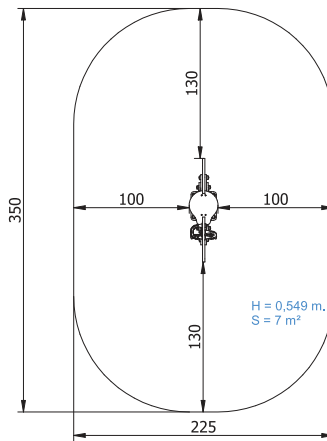
1 u.



2-6



B103A



55 cm.



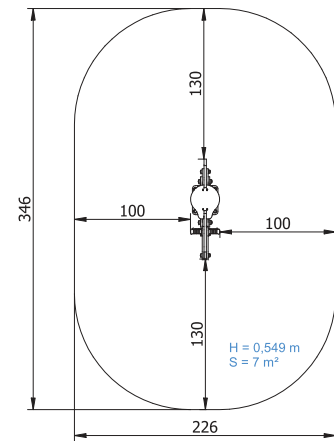
1 u.



2-6



B104A



55 cm.



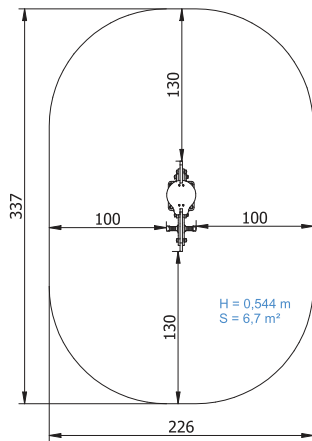
1 u.



2-6



PLA001



54 cm.



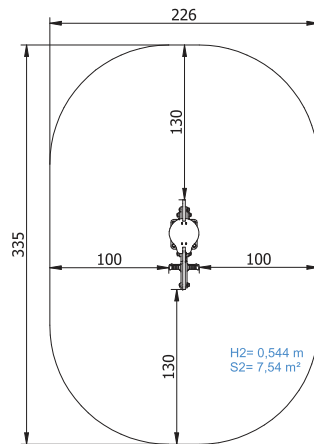
1 u.



2-6



PLA002



54 cm.



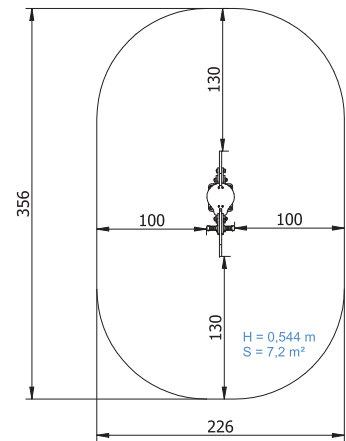
1 u.



2-6



PLA003



54 cm.



1 u.

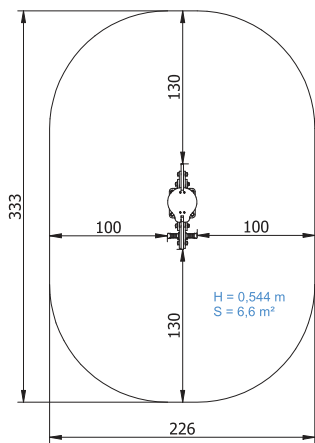


2-6





PLA004



54 cm.



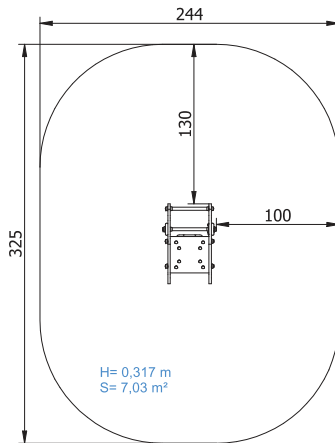
1 u.



2-6



PLA006



32 cm.



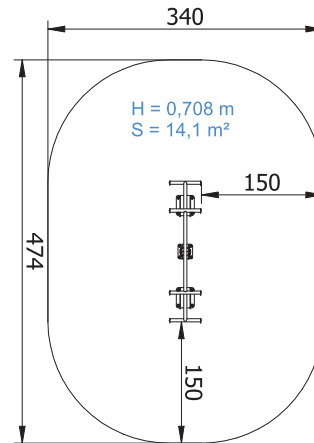
1 u.



0-3



A10



71 cm.



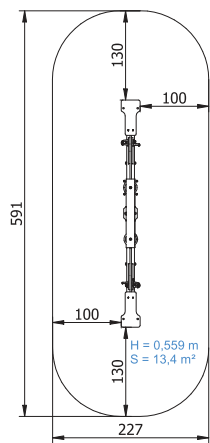
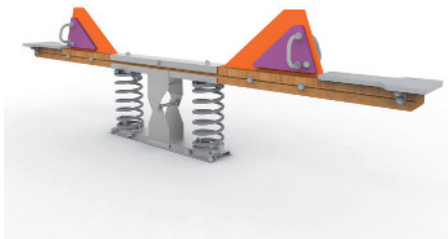
2 u.



4-14



B30B-GM



60 cm.



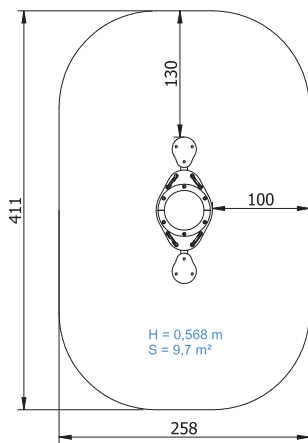
2 u.



2-6



B70A\_P



57 cm.



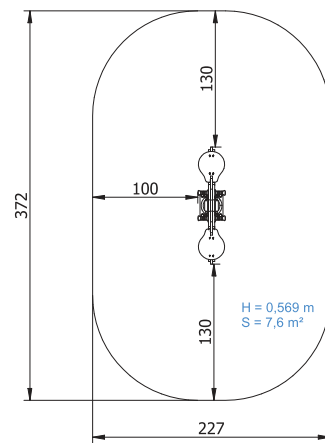
2 u.



2-6



B101A



57 cm.



2 u.

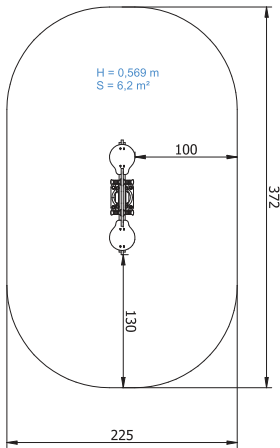


2-6



B106A\_P

NEW



57 cm.



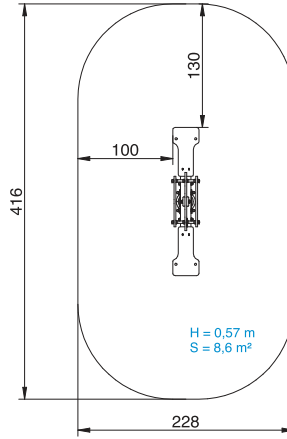
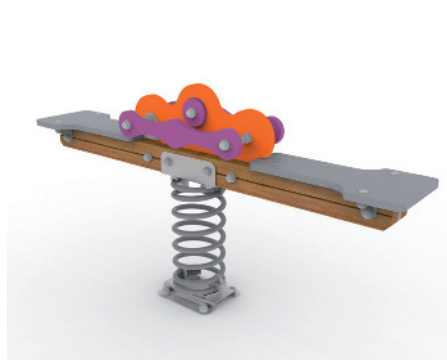
2 u.



2-6



U100A\_P



57 cm.



2 u.



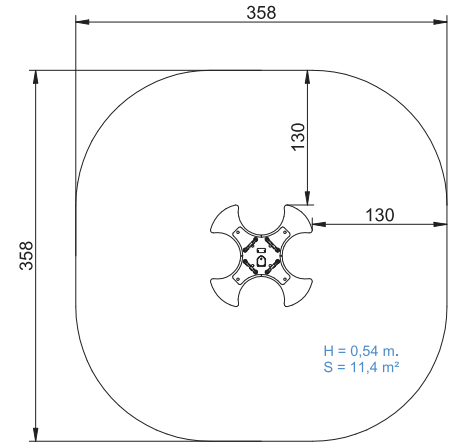
2-6



B21A\_P



NEW



54 cm.



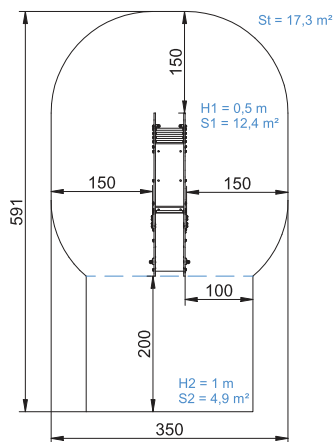
4 u.



2-6



T10M



50 cm.



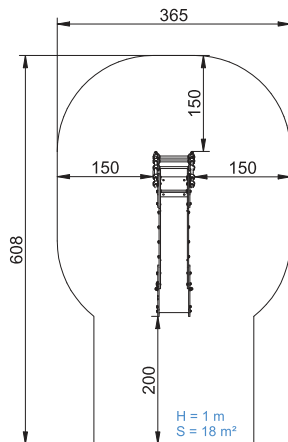
2 u.



2-6



T12\_P



100 cm.



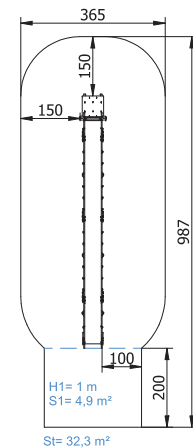
2 u.



2-8



T70F



100 cm.



1 u.



4-14





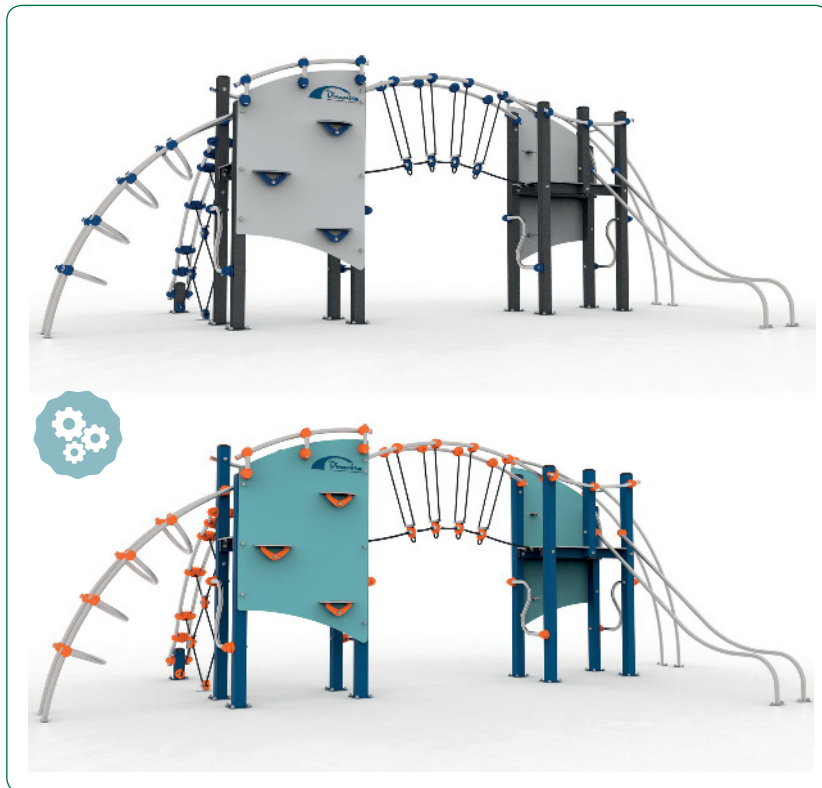




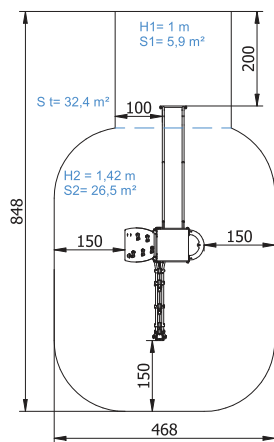


# DINAMIX





### DX003M



142 cm.



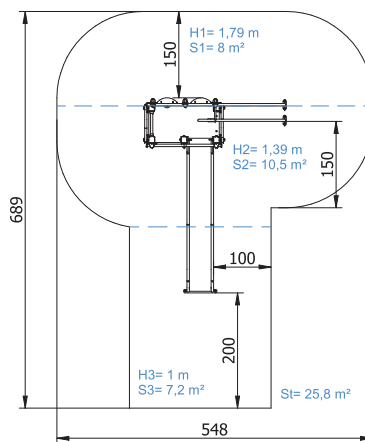
6 u.



4-14



### DX101M



179 cm.



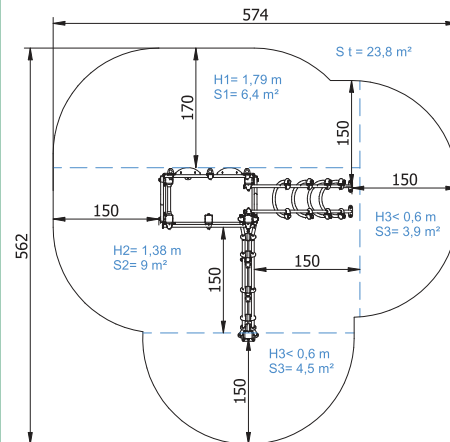
8 u.



4-14



### DX102M



179 cm.



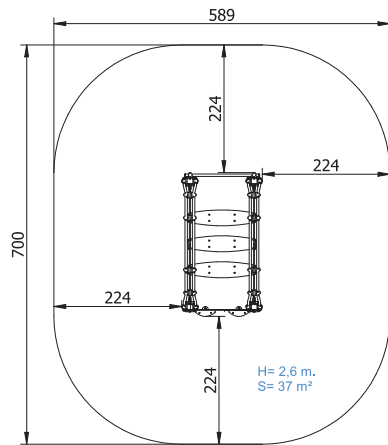
6 u.



4-14



## DX103M



260 cm.



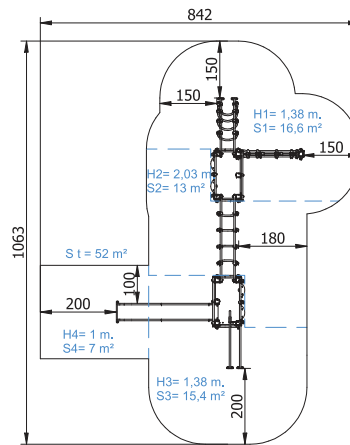
10 u.



4-14



## DX201M



203 cm.



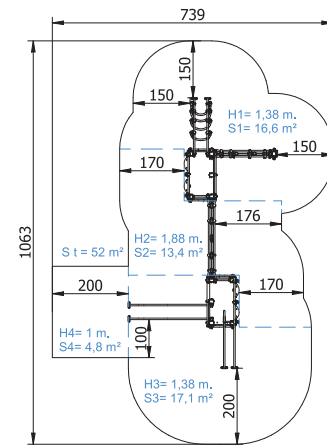
18 u.



4-14



## DX202M



188 cm.



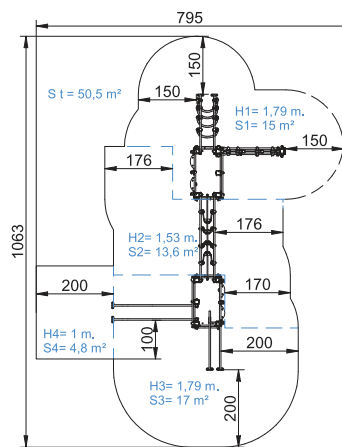
14 u.



4-14



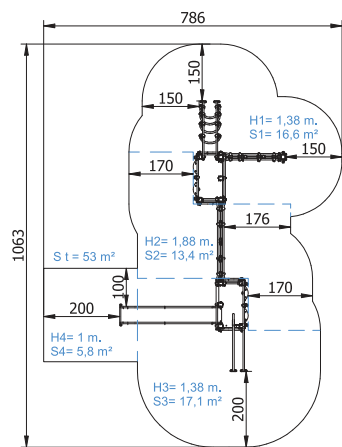
### DX203M



179 cm. 14 u. 4-14



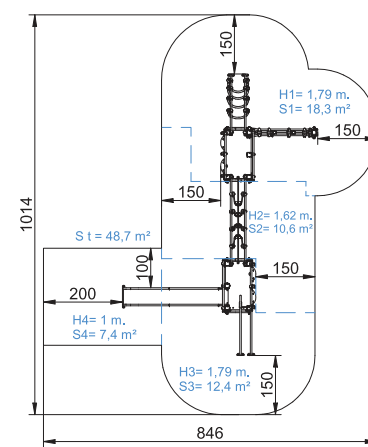
### DX204M



188 cm. 14 u. 4-14



### DX205M

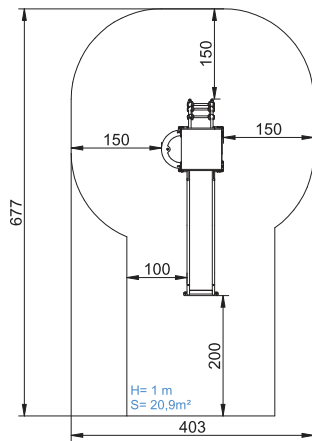


179 cm. 14 u. 4-14





### DX206M



100 cm.



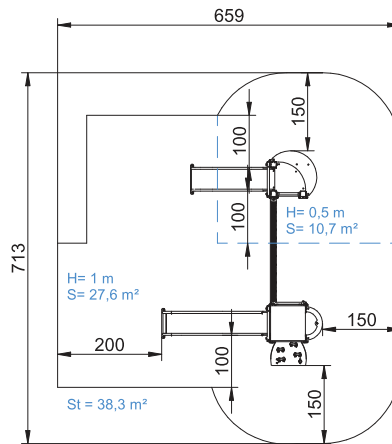
4 u.



2-8



### DX207M



100 cm.



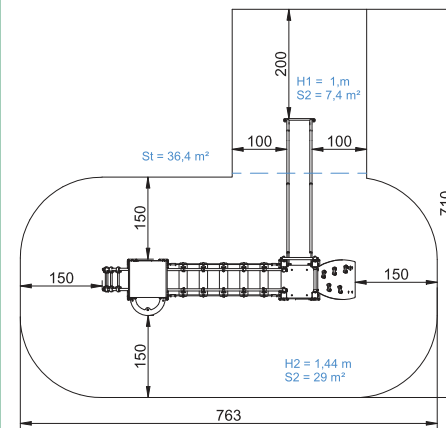
9 u.



2-8



### DX210M



144 cm.



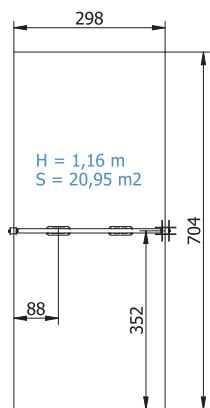
8 u.



4-14



L24



116 cm.



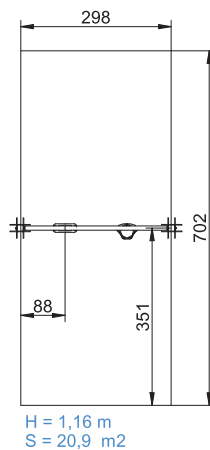
2 u.



3-14



L24M



116 cm.



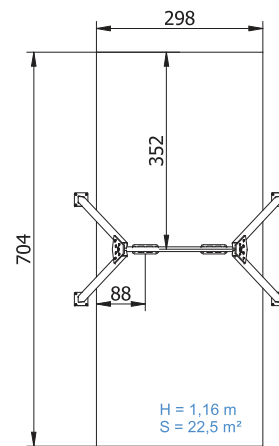
2 u.



0-14



L10A-INMT



116 cm.



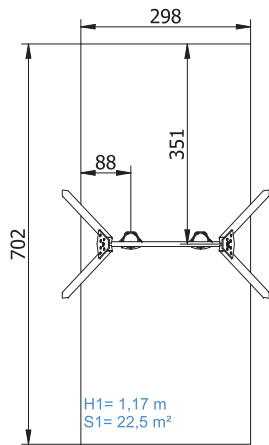
2 u.



3-14



# L1001A-INMT



117 cm.



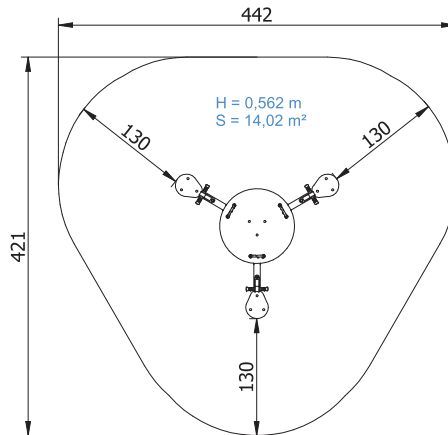
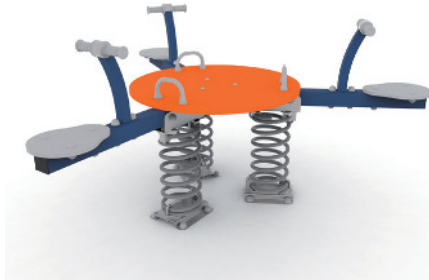
2 u.



0-3



# B107A



56 cm.



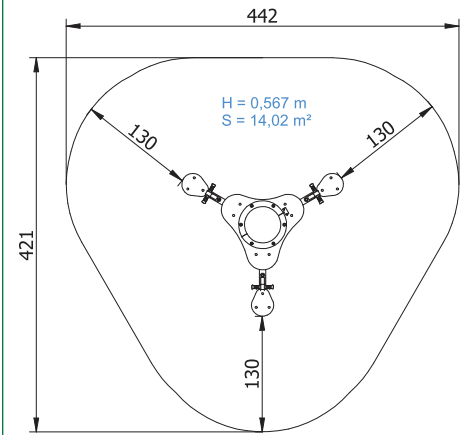
3 u.



2-6



# B108A



56 cm.



3 u.



2-6





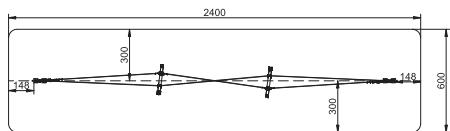
PROMETEO







A30



254 cm.



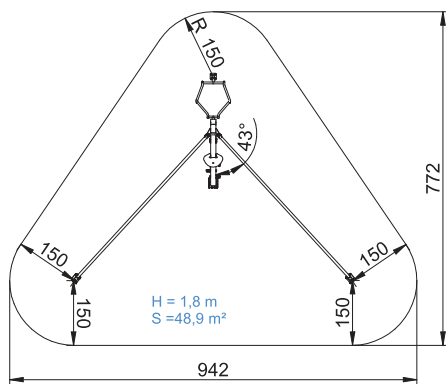
20 u.



4-14



A40



177 cm.



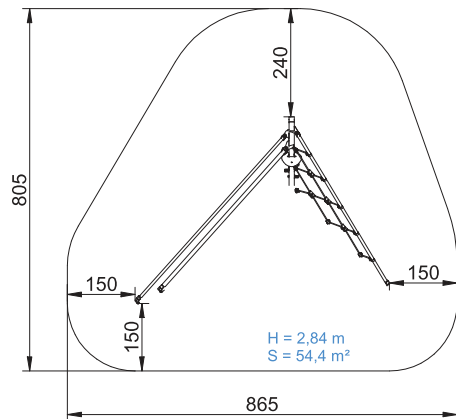
5 u.



4-14



A50



284 cm.



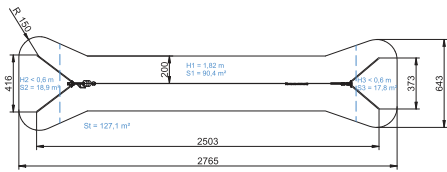
6 u.



4-14



TR001



182 cm.



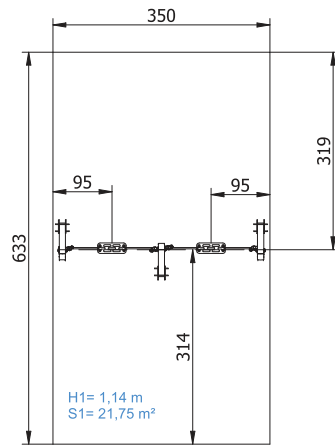
1 u.



4-14



L18



114 cm.



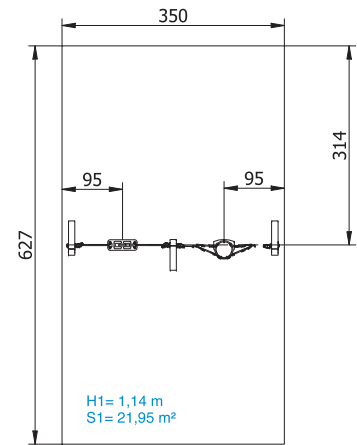
2 u.



3-14



L18M



114 cm.



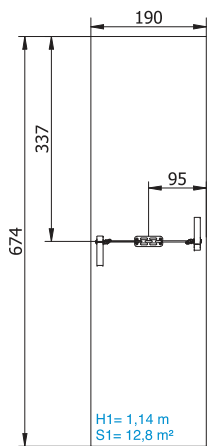
2 u.



0-14



L17



114 cm.



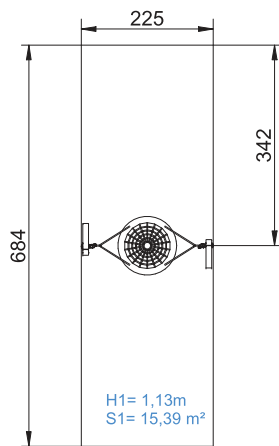
1 u.



3-14



L22



113 cm.



5 u.



2-8









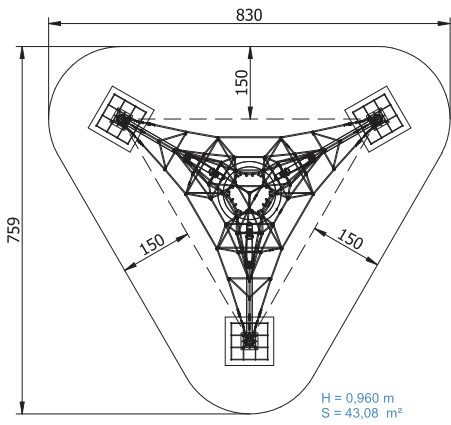


# REDES





### DOMO 3



96 cm.



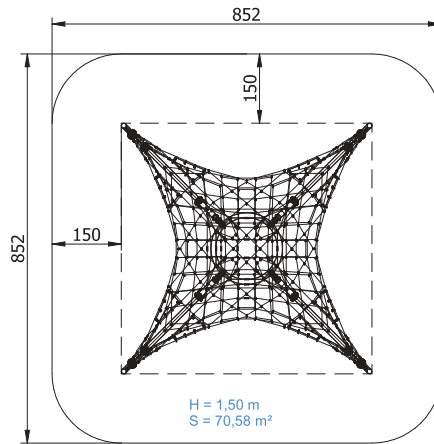
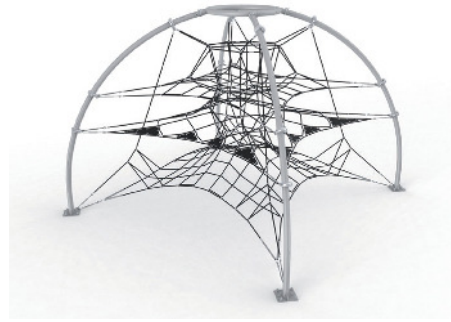
25 u.



4-14



### DOMO 4



150 cm.



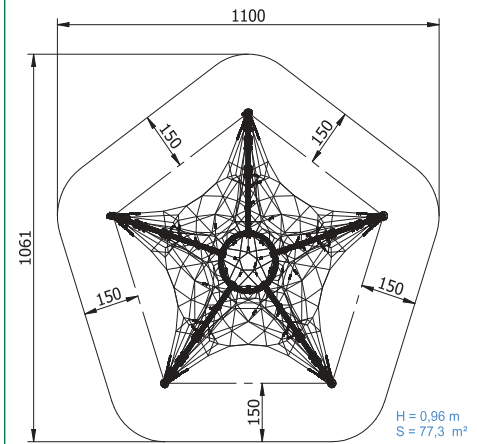
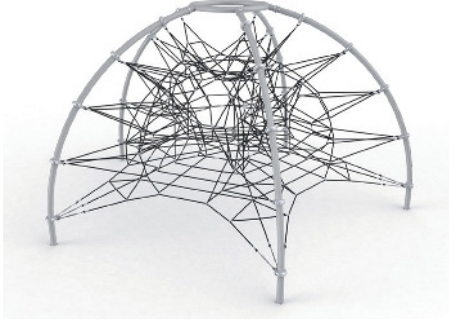
58 u.



4-14



### DOMO 5



96 cm.



64 u.

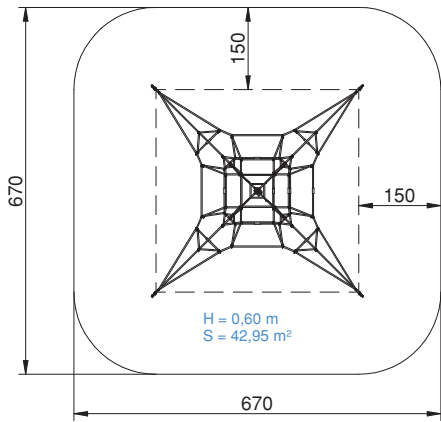
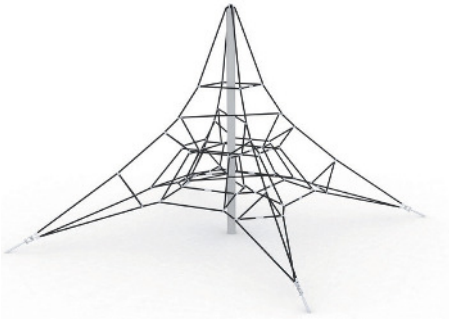


4-14





R2,75-c1



60 cm.



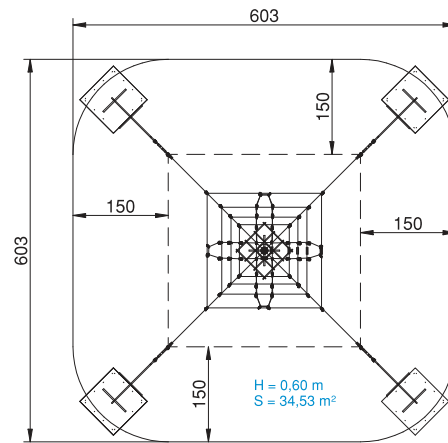
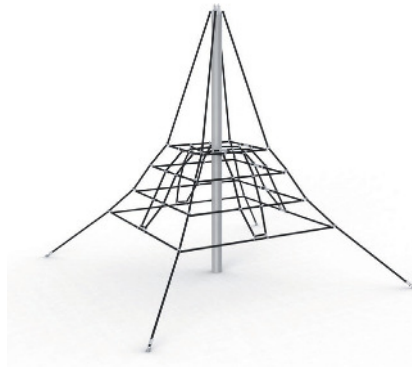
8 u.



3-14



R2,75-c2



60 cm.



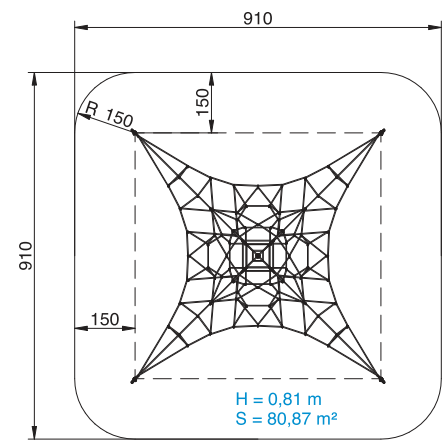
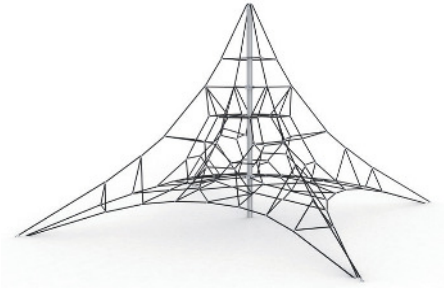
8 u.



3-14



R04



81 cm.



14 u.

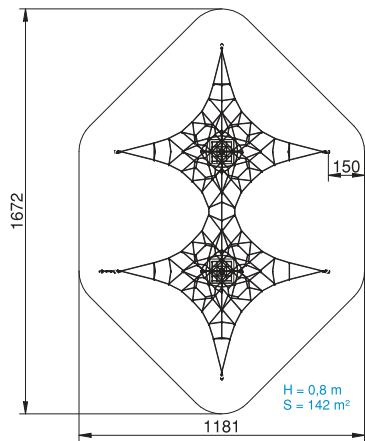
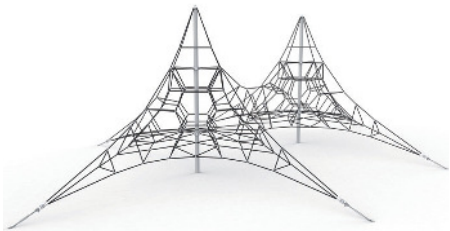


5-12





R04D



80 cm.



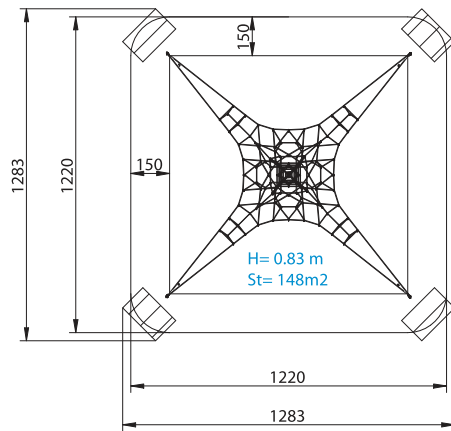
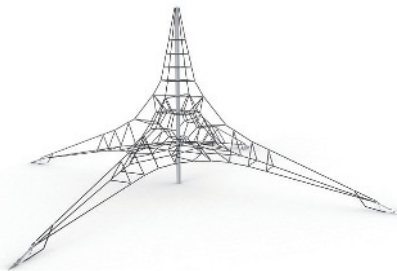
26 u.



5-12



R06



83 cm.



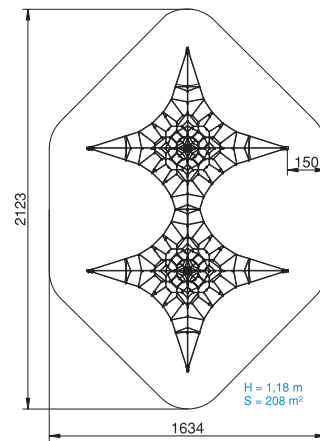
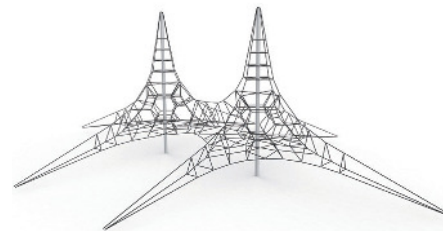
46 u.



5-12



R06D



118 cm.



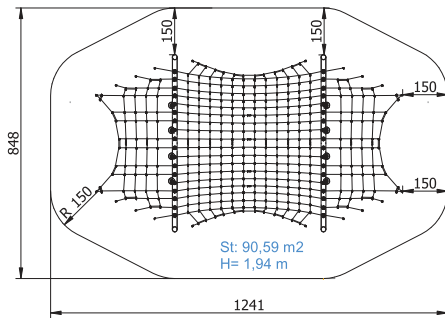
62 u.



5-12



## SADDLE



194 cm.



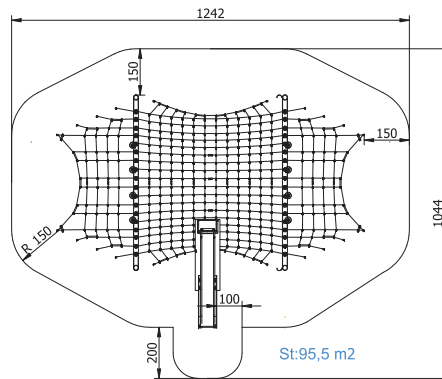
48 u.



4-14



## SADTO



194 cm.



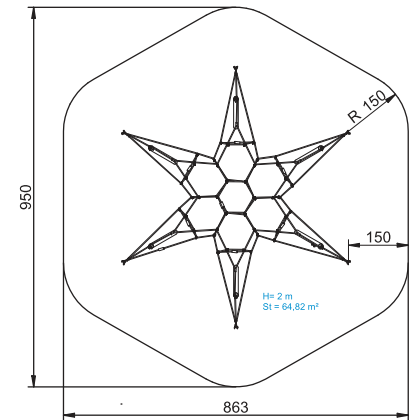
50 u.



4-14



## RSPIDER



200 cm.



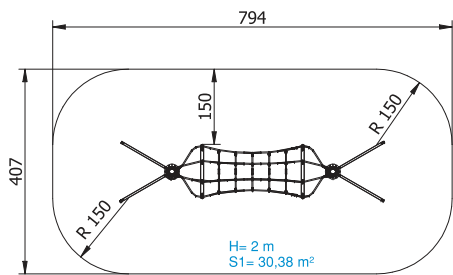
10 u.



3-14



RN02



200 cm.



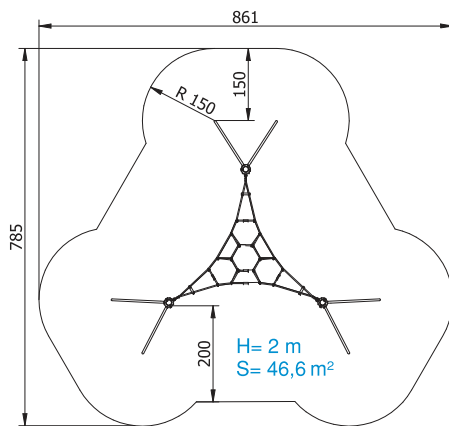
2 u.



4-14



RP03



200 cm.



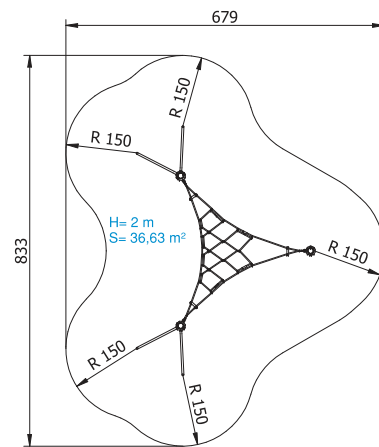
3 u.



4-14



RT03



200 cm.



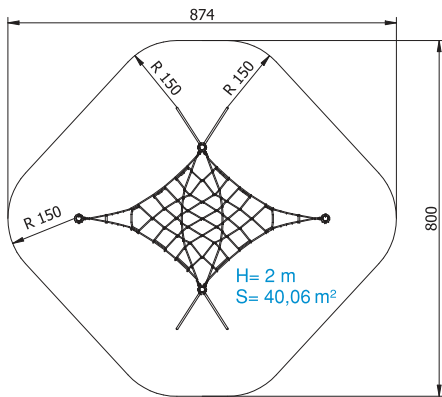
2 u.



4-14



RT03D



200 cm.



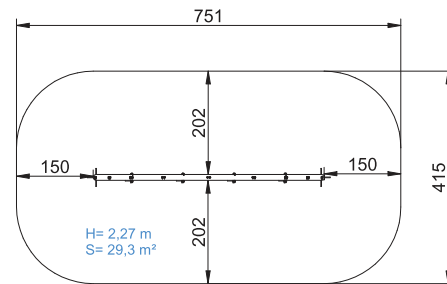
4 u.



4-14



R2



228 cm.



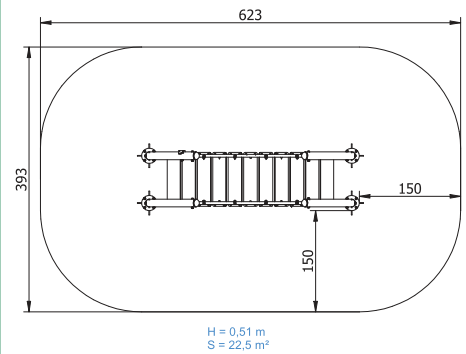
8 u.



4-14



ARC01



51 cm.



4 u.

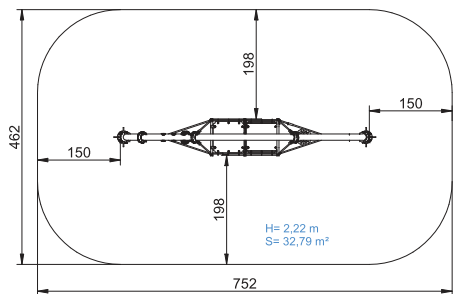


3-14





### ARC02



222 cm.



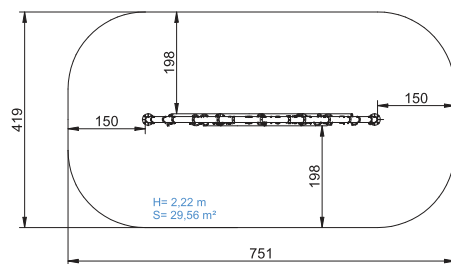
10 u.



3-14



### ARC03



222 cm.



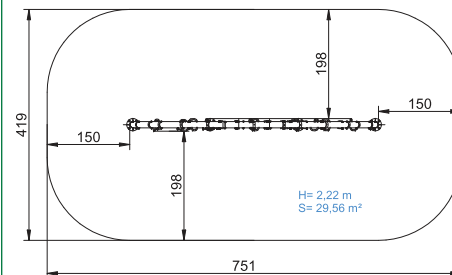
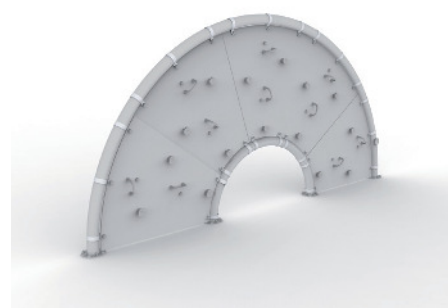
10 u.



3-14



### ARC04



222 cm.



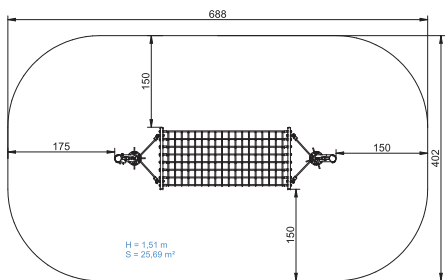
10 u.



3-14



## ARC05



121 cm.



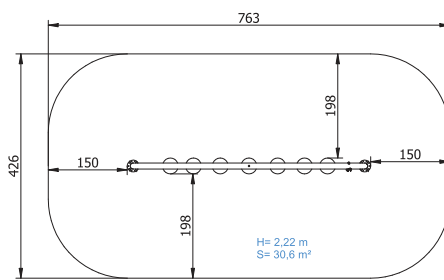
3 u.



3-14



## ARC06



222 cm.



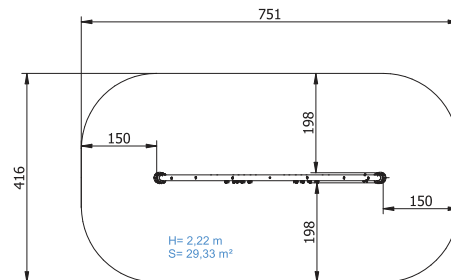
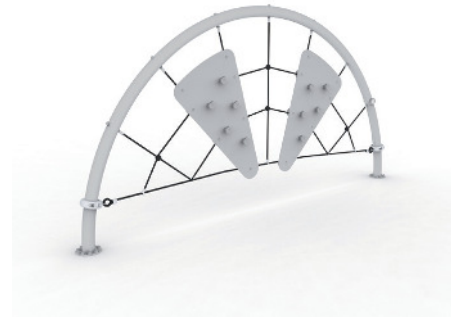
10 u.



3-14



## ARC07



222 cm.



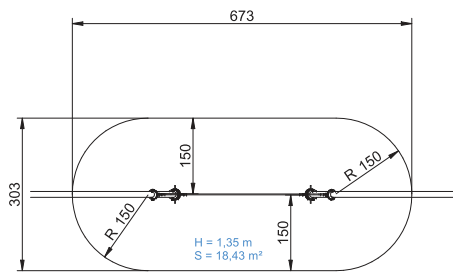
7 u.



3-14



### ARC08



135 cm.



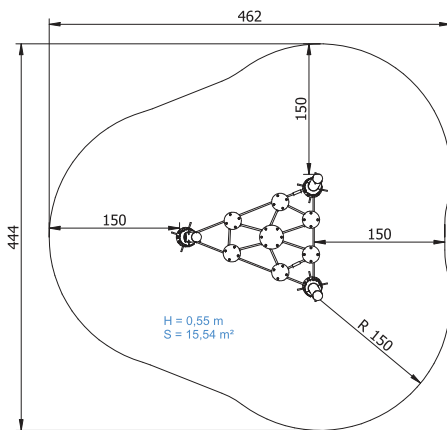
3 u.



3-14



### ARC09



55 cm.



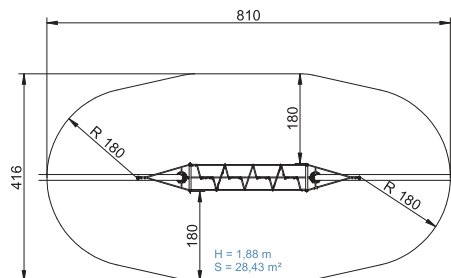
3 u.



3-14



### ARC10



188 cm.



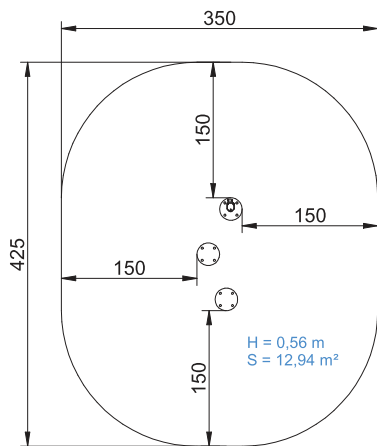
3 u.



3-14



ARC12



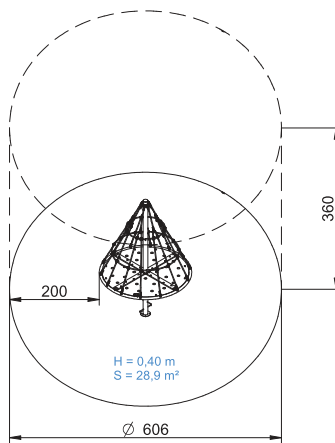
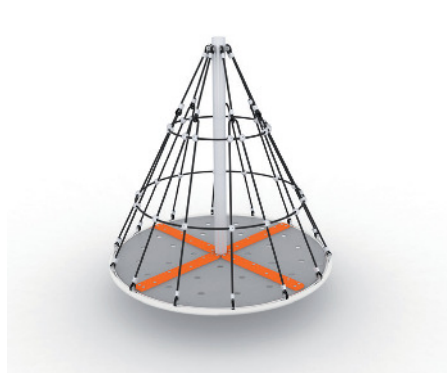
56 cm.

4 u.

3-14



L31



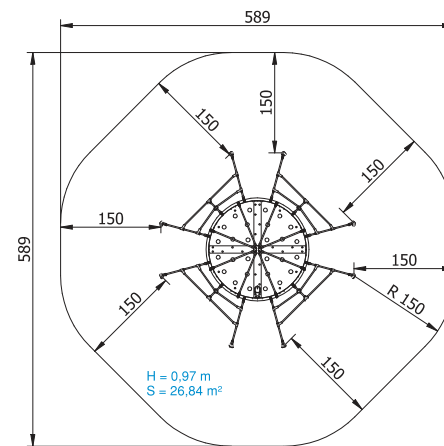
40 cm.

4 u.

3-12



R31



97 cm.

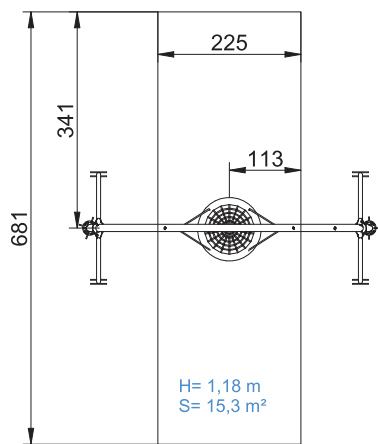
8 u.

4-14





L32



118 cm.



5 u.



2-8





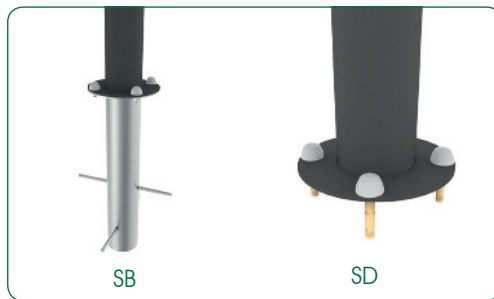
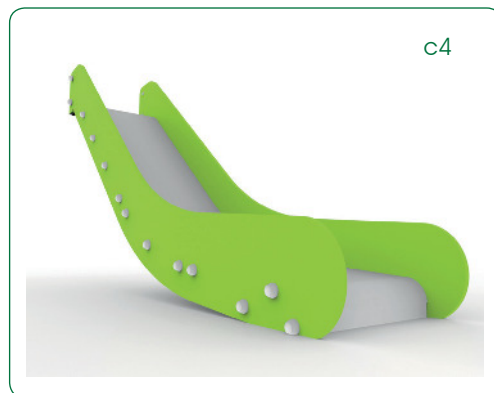






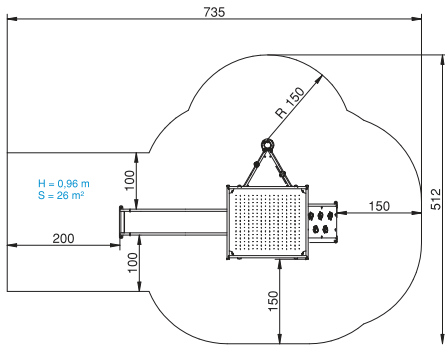
DEM O D







DEM01



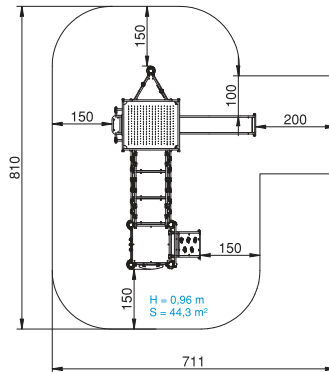
96 cm.

13 u.

3-6



DEM02



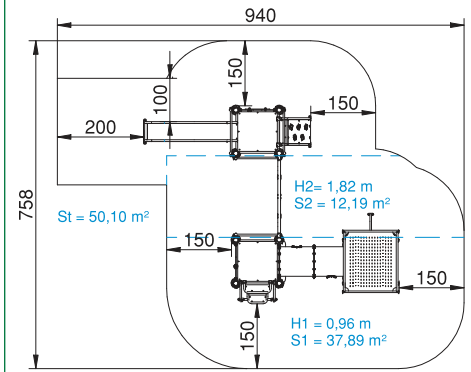
96 cm.

20 u.

3-6



DEM03



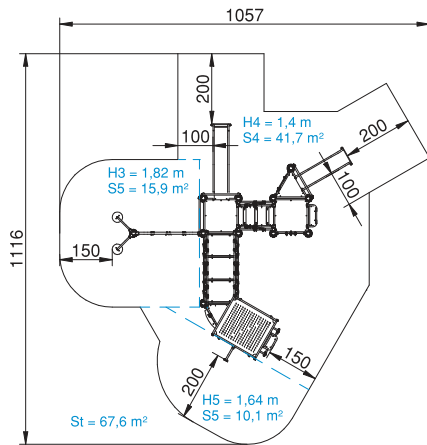
182 cm.

30 u.

3-6



## DEM04



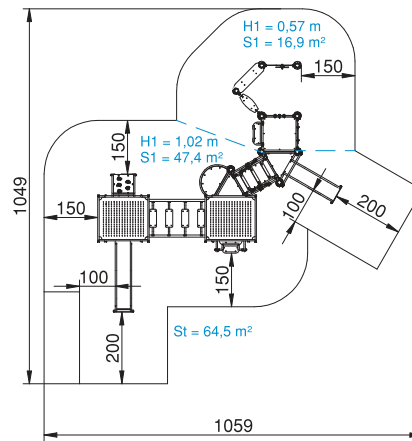
182 cm.

36 u.

3-6



## DEM05



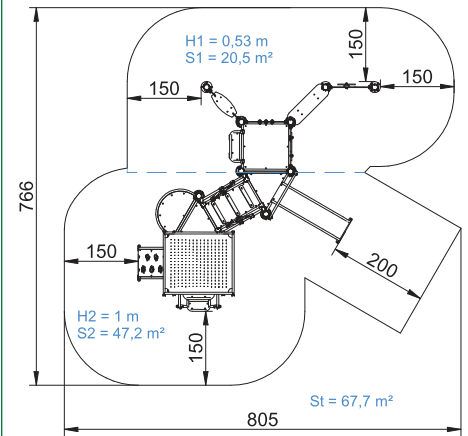
102 cm.

36 u.

3-6



## DEM06



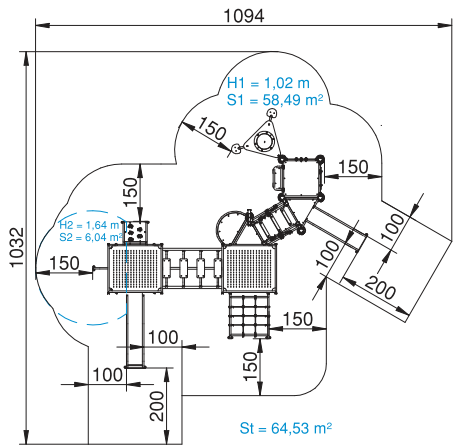
100 cm.

25 u.

3-6



DEM07



164 cm.



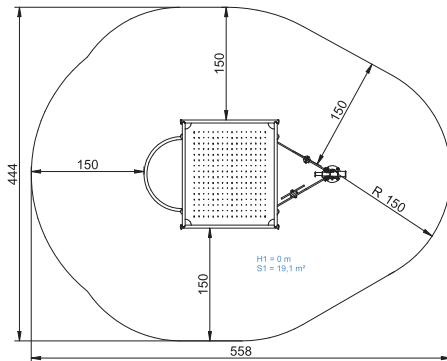
39 u.



3-6



DEM10



- cm.



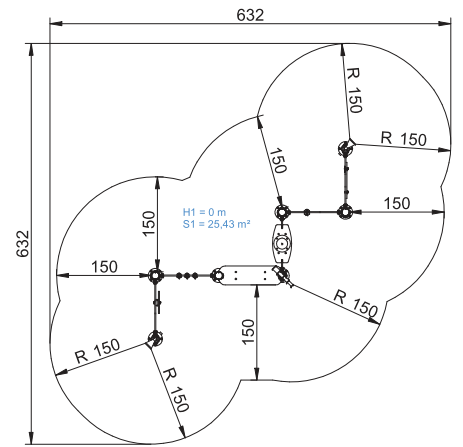
4 u.



2-6



DEM11



- cm.



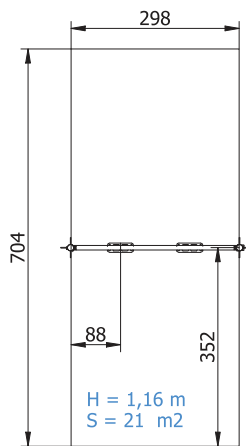
6 u.



1-4



L23



116 cm.



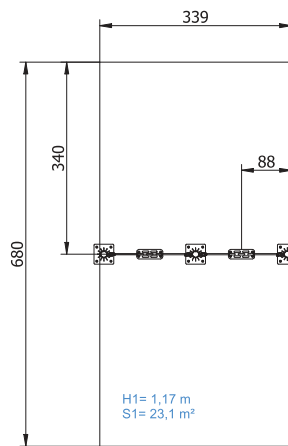
2 u.



3-14



L39



117 cm.



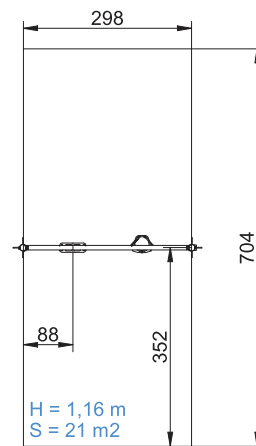
2 u.



3-14



L23M



116 cm.



2 u.

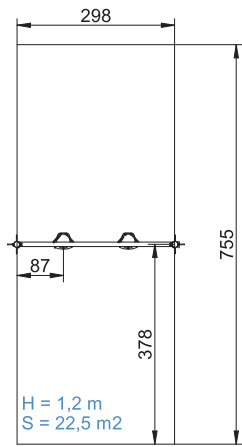


0-14





L23C



120 cm.



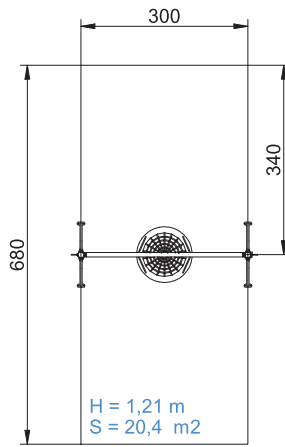
2 u.



0-3



L33



121 cm.



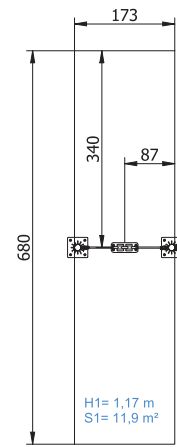
5 u.



2-8



L38



117 cm.



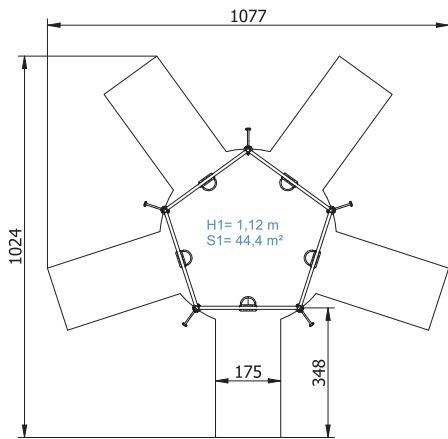
1 u.



3-14



L15



112 cm.



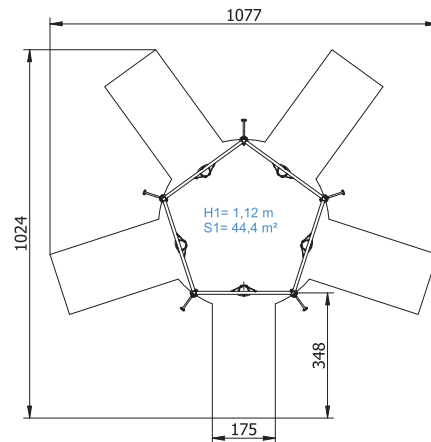
5 u.



3-14



L15C



112 cm.



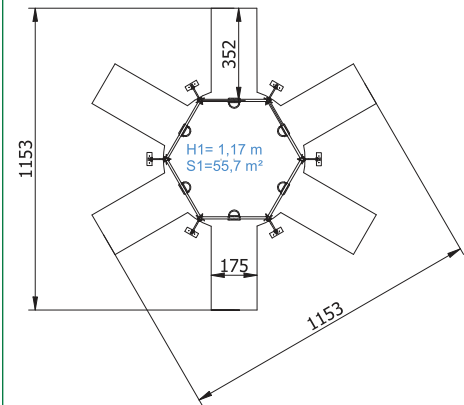
5 u.



0-3



L16



117 cm.



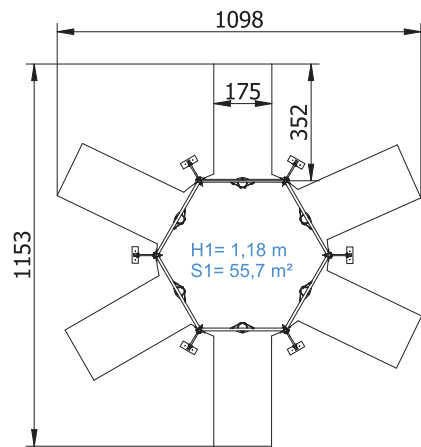
6 u.



3-14



L16C



118 cm.



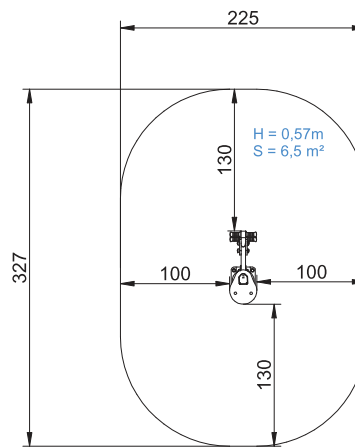
6 u.



0-3



B121A



57 cm.



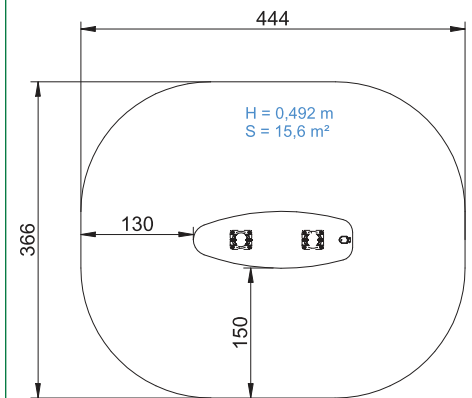
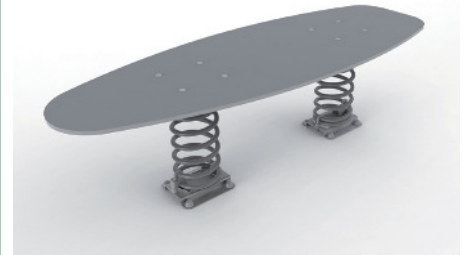
1 u.



2-6



B130



49 cm.



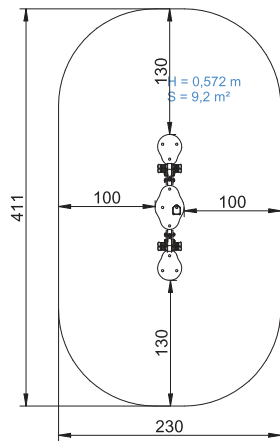
1 u.



6-15



B120A



57 cm.



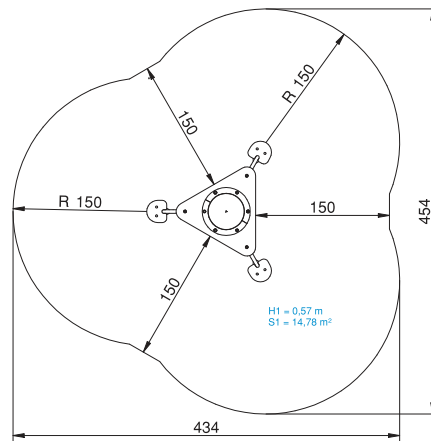
2 u.



2-6



F313E



57 cm.



3 u.



2-6



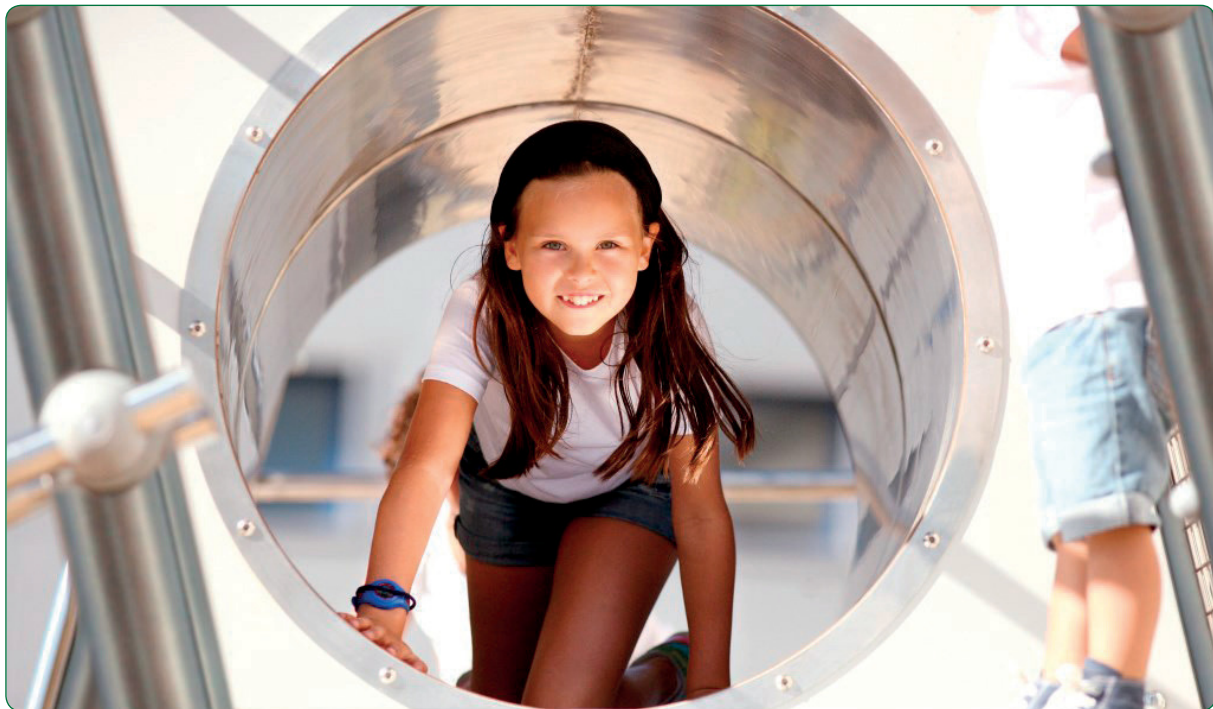
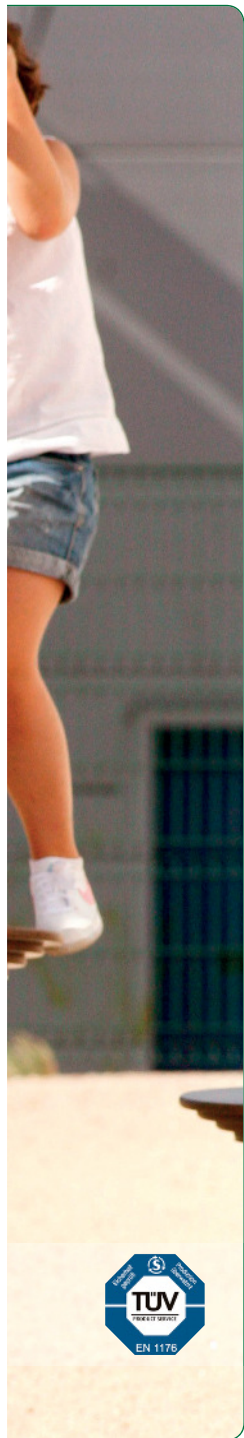
Demod





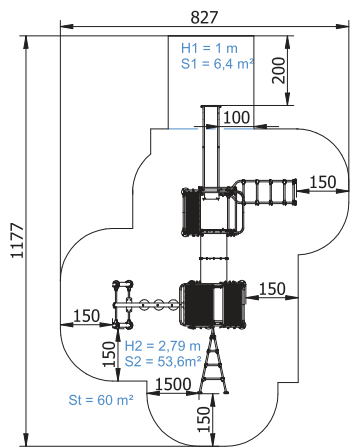
# CUBIC





Cubic

## CUB010



279 cm.



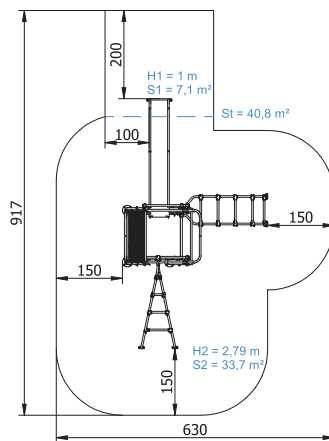
20 u.



4-14



## CUB020



279 cm.



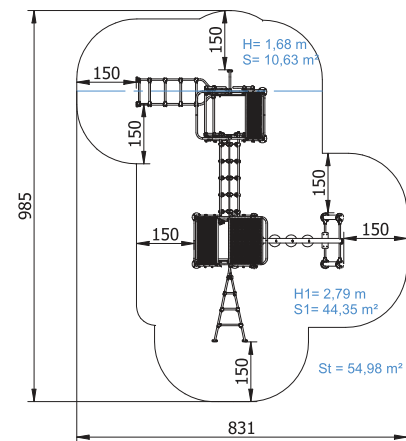
10 u.



4-14



## CUB030



279 cm.



20 u.

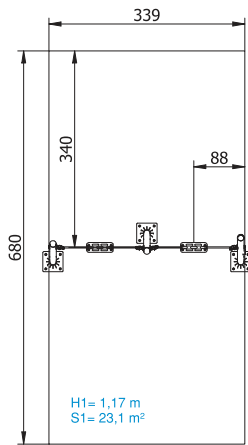


4-14



L37

NEW



117 cm.



2 u.

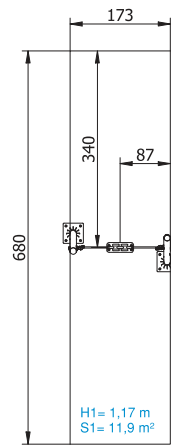


3-14



L36

NEW



117 cm.



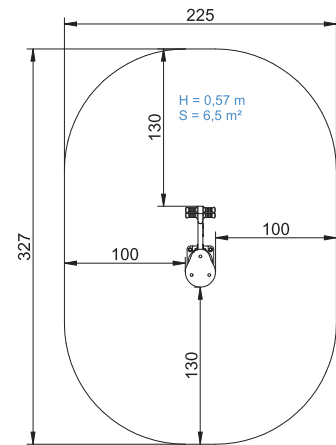
1 u.



3-14



B121A



57 cm.



1 u.



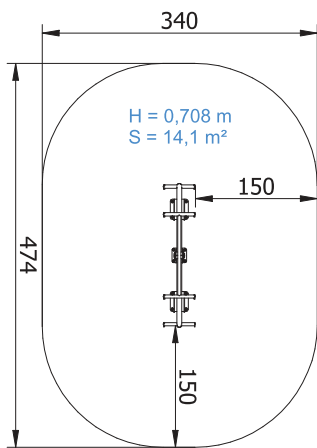
2-6



Cubic



A10-IN



79 cm.



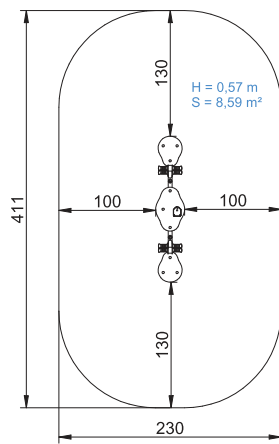
2 u.



4-14



B120A



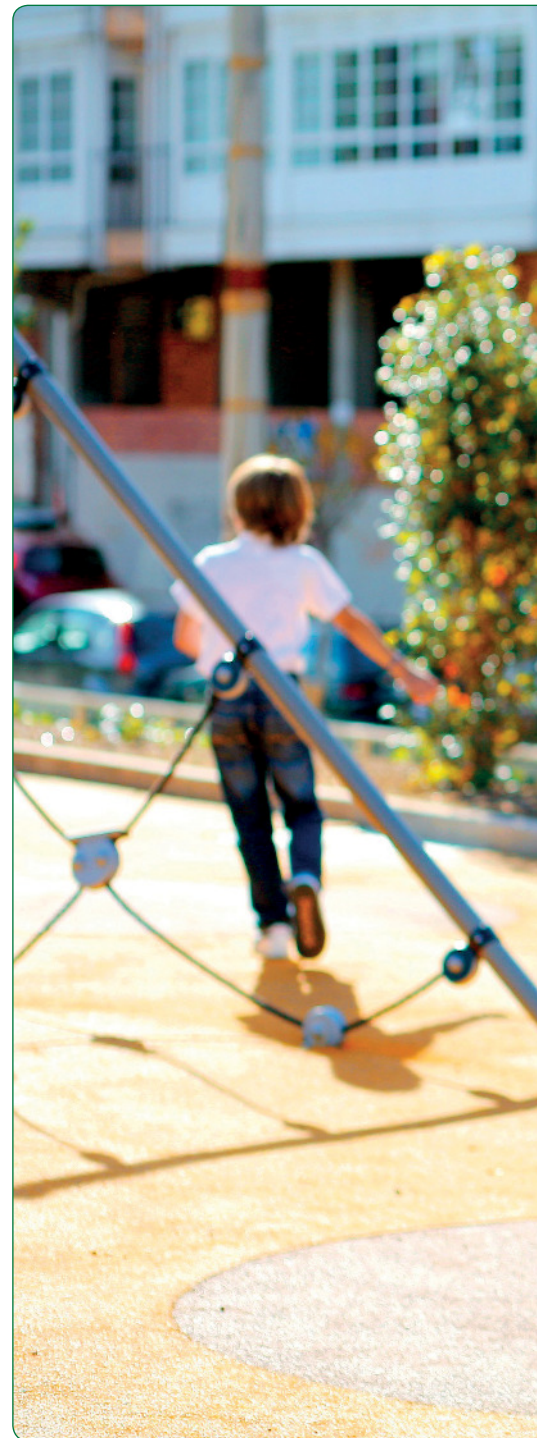
57 cm.



2 u.



2-6



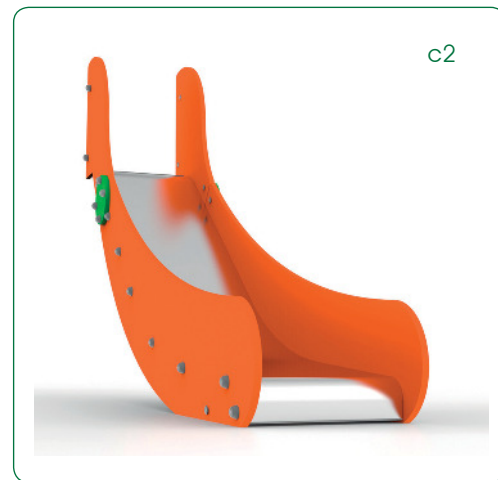




# FRUIT



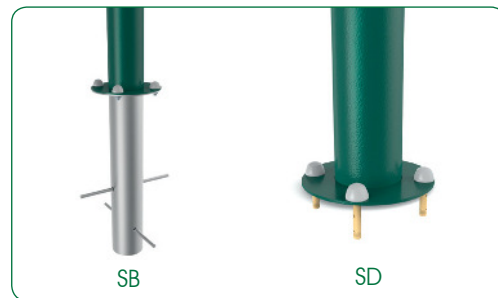




c2



c4



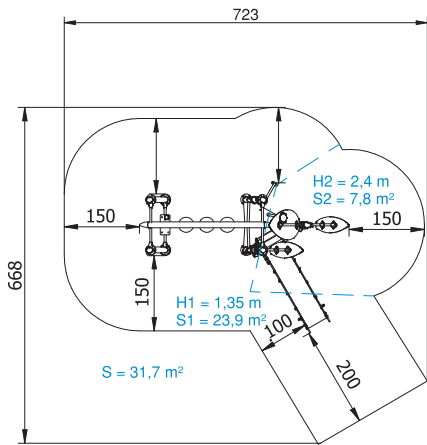
SB

SD

Fruit



FR01



241 cm.



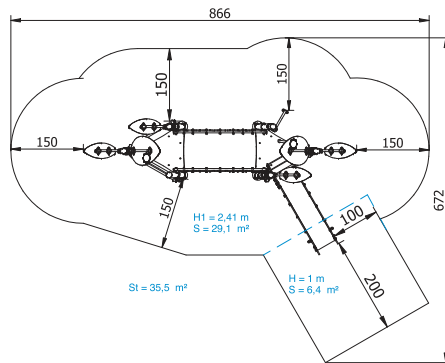
10 u.



4-12



FR02



241 cm.



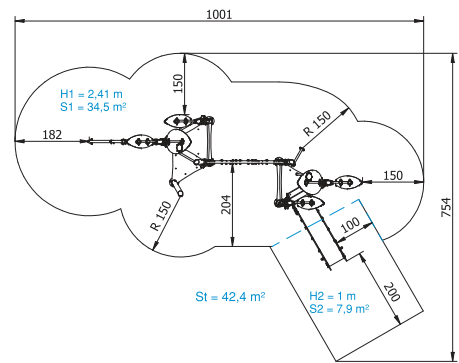
18 u.



4-12



FR03



241 cm.



18 u.

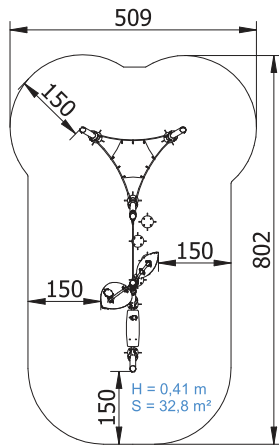


4-12





FR07



41 cm.



10 u.

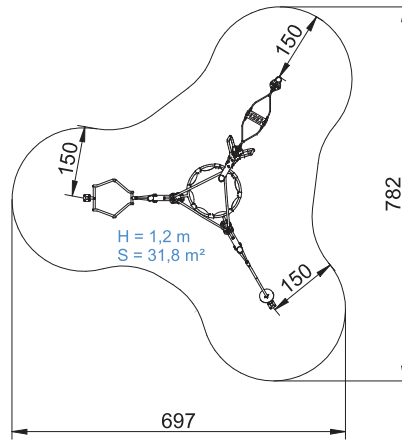


2-8



K022N

NEW



120 cm.



5 u.

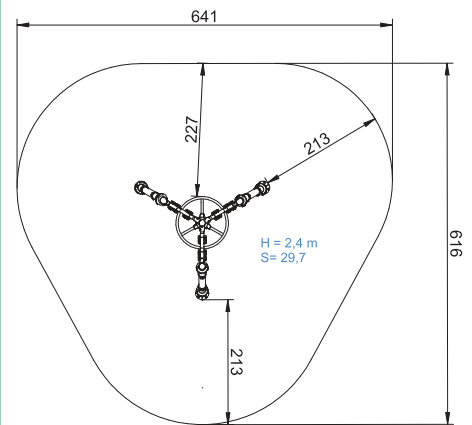


4-14



K031N

NEW



242 cm.



6 u.

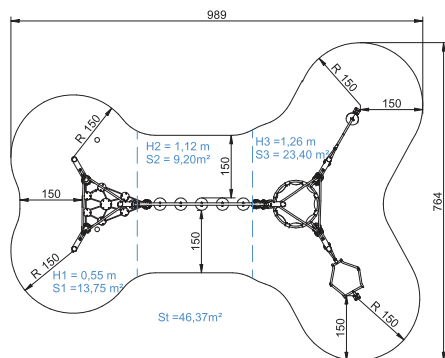


4-14



K032N

NEW



126 cm.

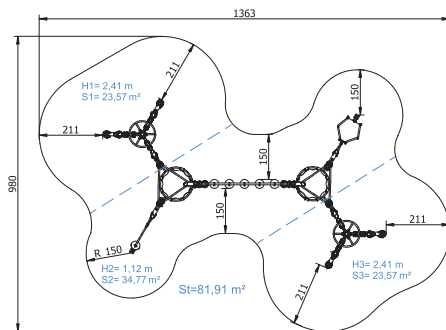
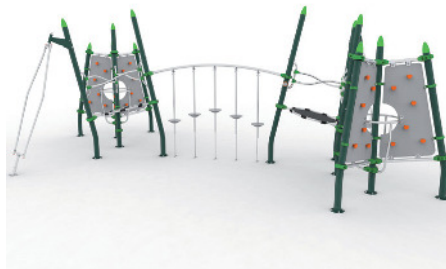
10 u.

4-14



K042N

NEW



242 cm.

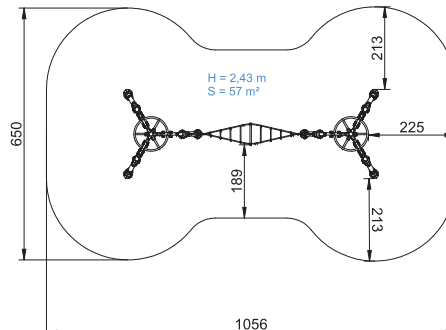
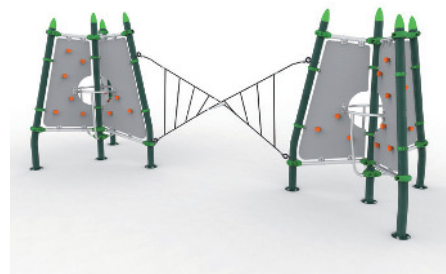
19 u.

4-14



K051N

NEW



242 cm.

15 u.

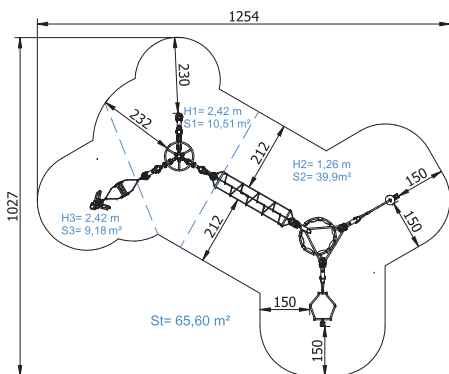
4-14





K052N

NEW



242 cm.



12 u.

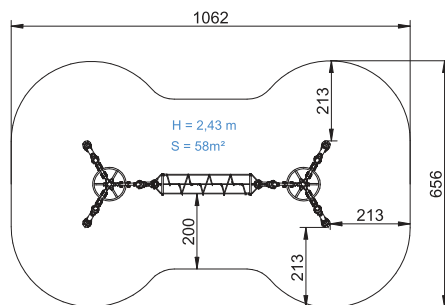


4-14



K061N

NEW



242 cm.



9 u.

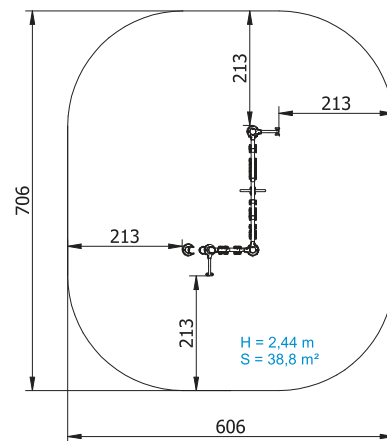


4-14



K091N

NEW



244 cm.



9 u.

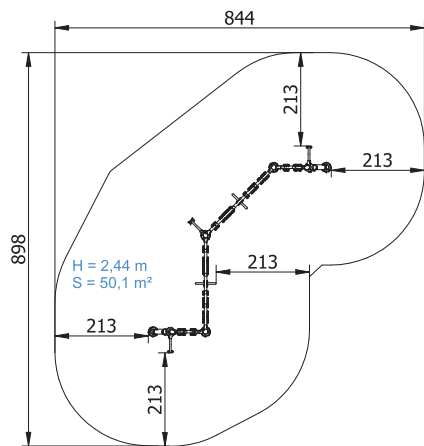
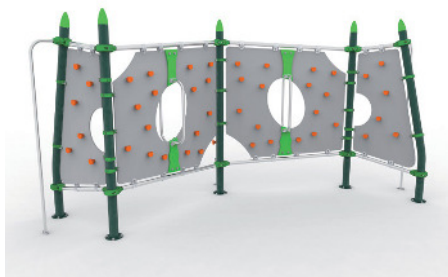


4-14



K092N

NEW



244 cm.



15 u.

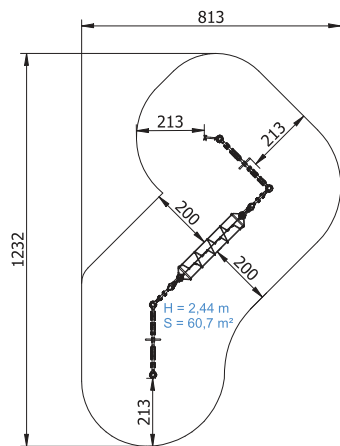


4-14



K093N

NEW



244 cm.



19 u.

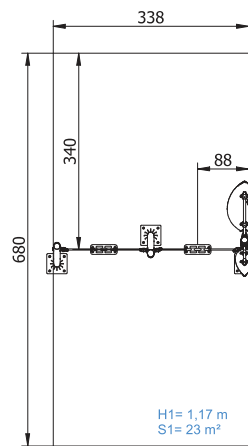


4-14



L35

NEW



117 cm.



2 u.

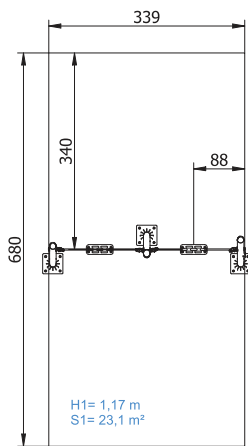


3-14



L37N

NEW



117 cm.



2 u.

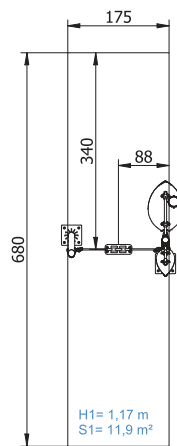


3-14



L34

NEW



117 cm.



1 u.

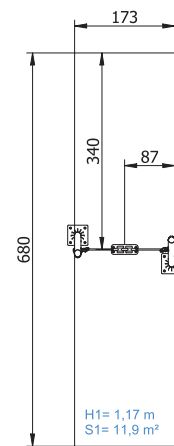


3-14



L36N

NEW



117 cm.



1 u.



3-14





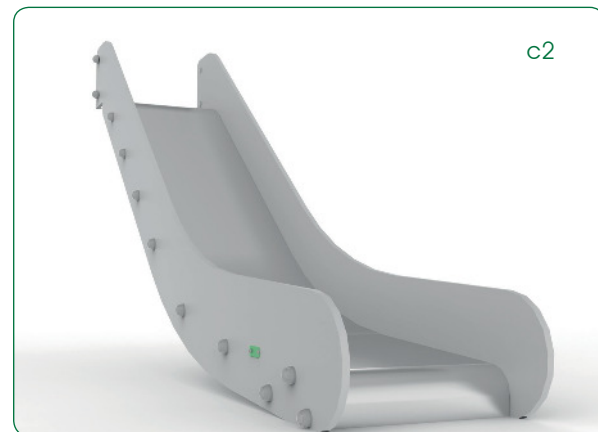




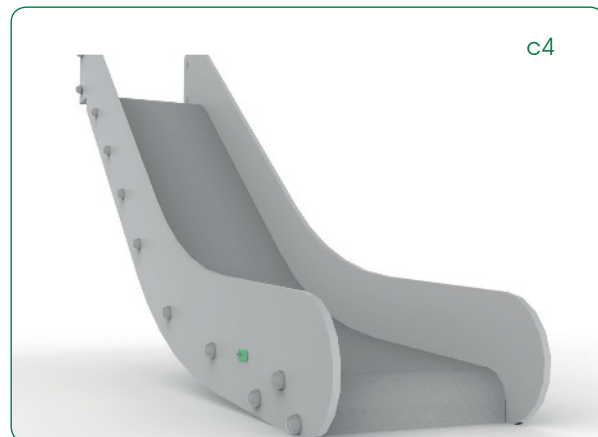
# MINIMALIST



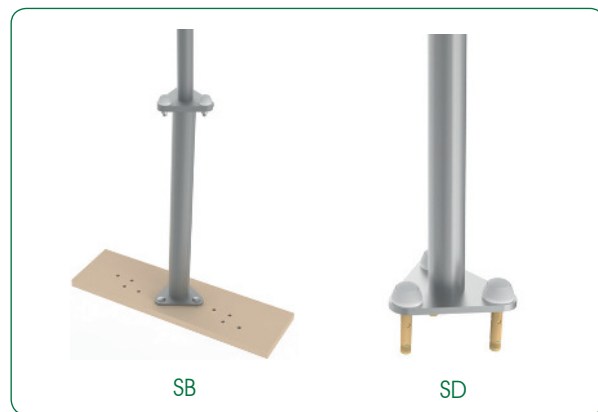




c2



c4

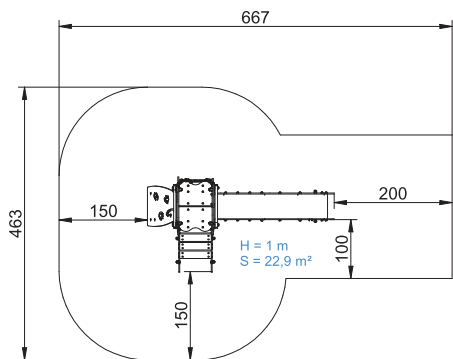


SB

SD

Minimalist

FAC10



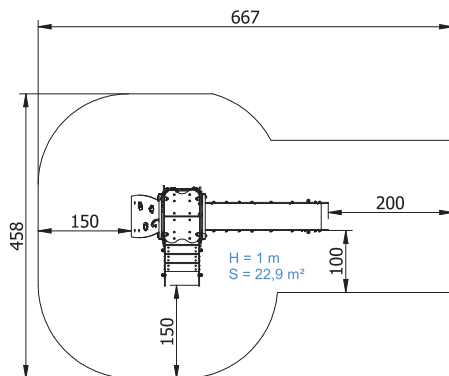
100 cm.

10 u.

2-6



FAC16



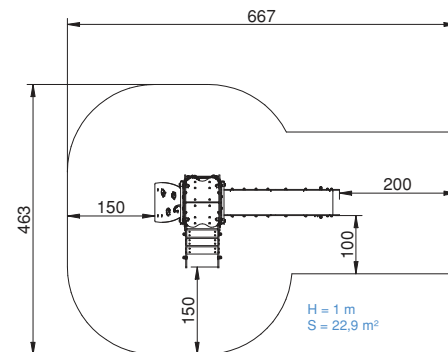
100 cm.

10 u.

2-6



FAC17



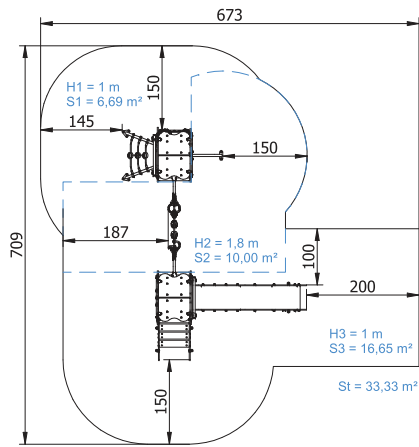
100 cm.

10 u.

2-6



FAC1016



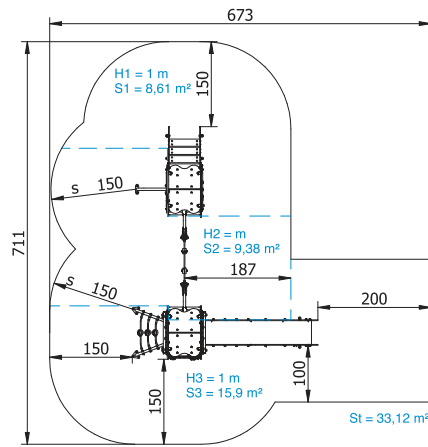
180 cm.

23 u.

2-6



FAC1017



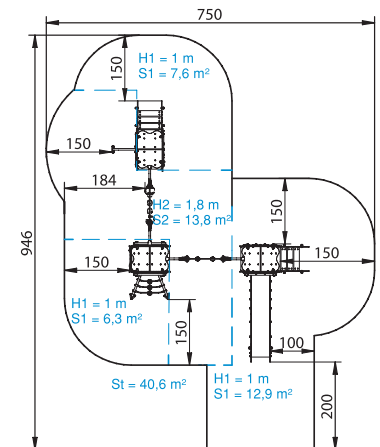
168 cm.

23 u.

2-6



FAC101617



180 cm.

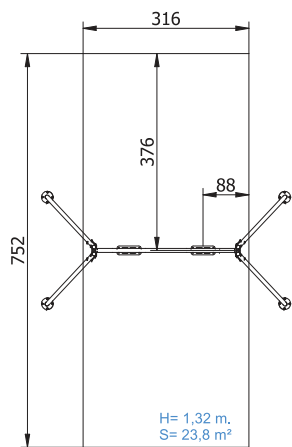
30 u.

2-6





L101



132 cm.



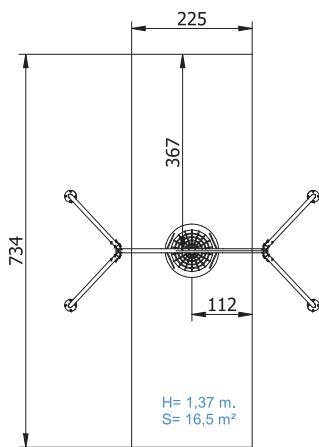
2 u.



3-14



L101CE



137 cm.



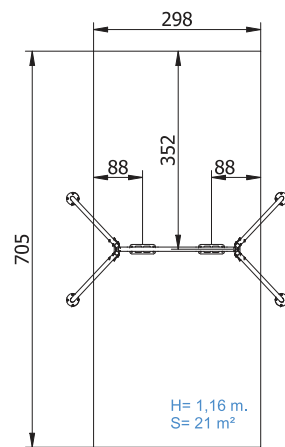
5 u.



2-8



L100



116 cm.



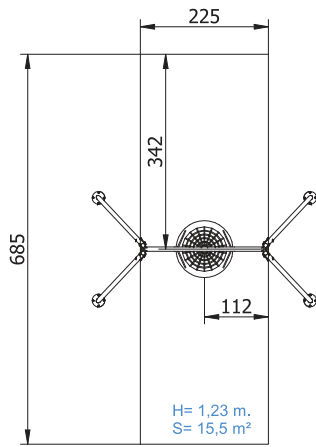
2 u.



3-14



L100CE



123 cm.



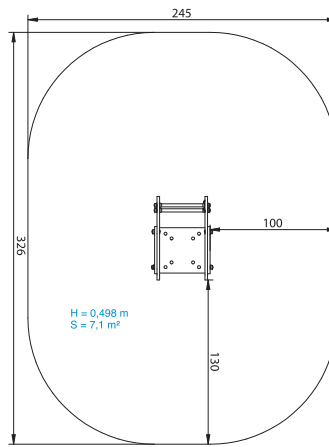
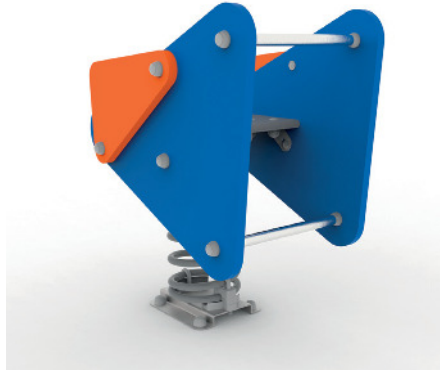
5 u.



2-8



B105A\_P



50 cm.



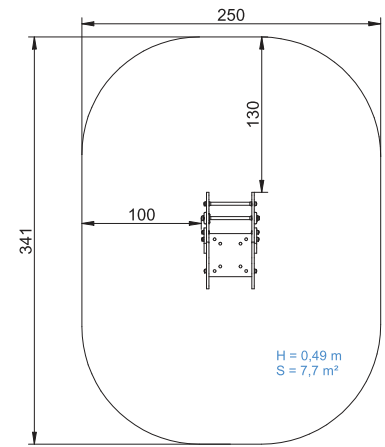
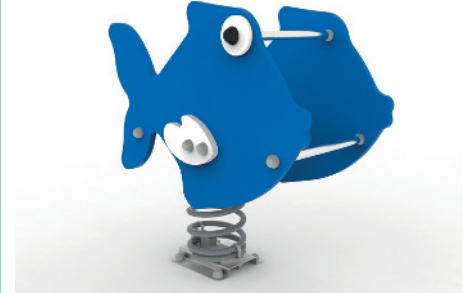
1 u.



2-6



U90A



49 cm.



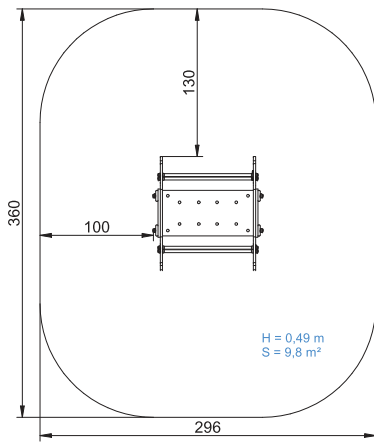
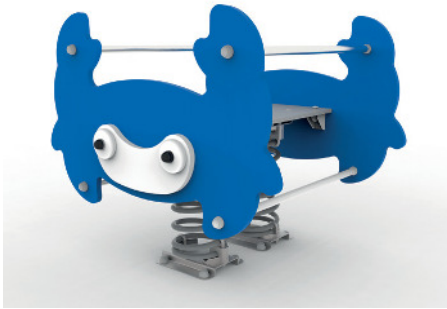
1 u.



2-6



B35A



49 cm.



2 u.



2-6









# HEALTH & FITNESS

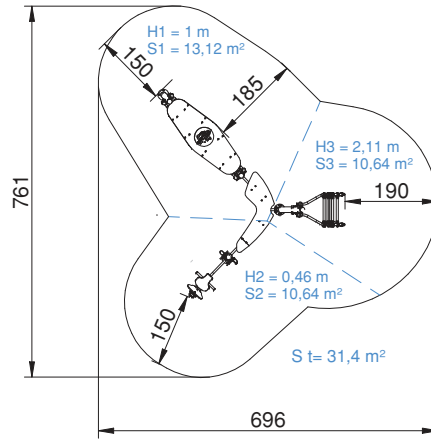




# Health Kinetic

K010N

NEW



211 cm.



5 u.

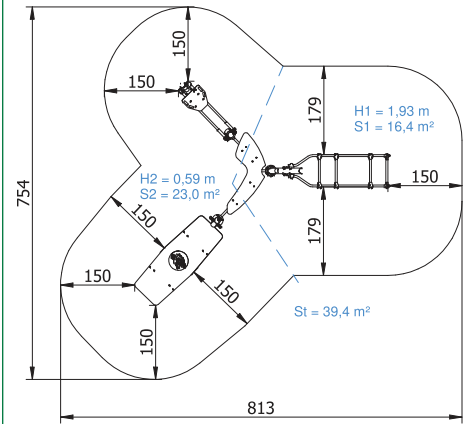


+ 14



K020N

NEW



193 cm.



6 u.

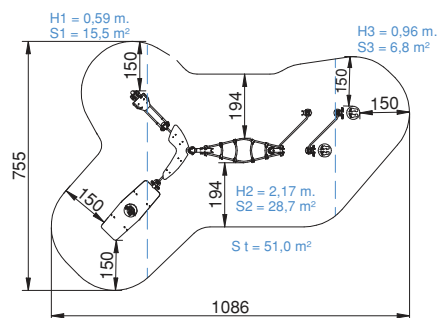


+ 14



K030N

NEW



217 cm.



10 u.

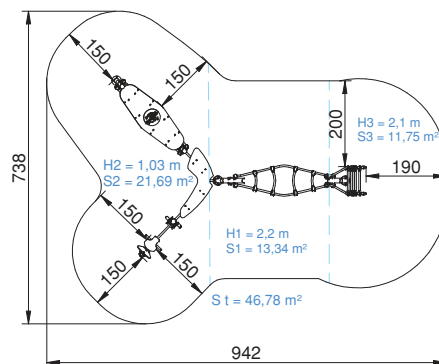


+ 14



K040N

NEW



217 cm.



8 u.

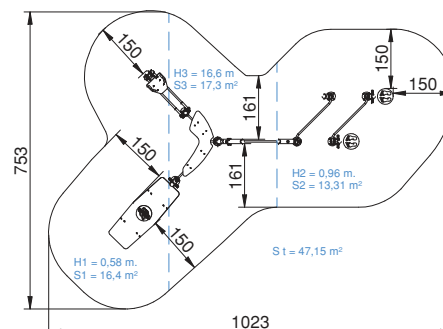


+ 14



K050N

NEW



167 cm.



9 u.



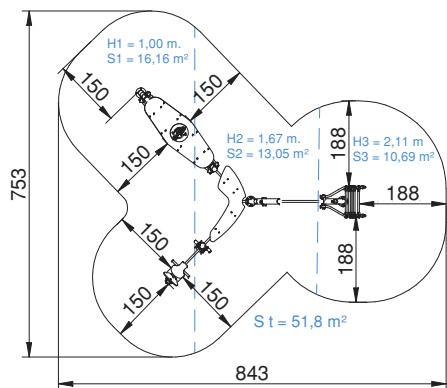
+ 14





K060N

NEW



211 cm.

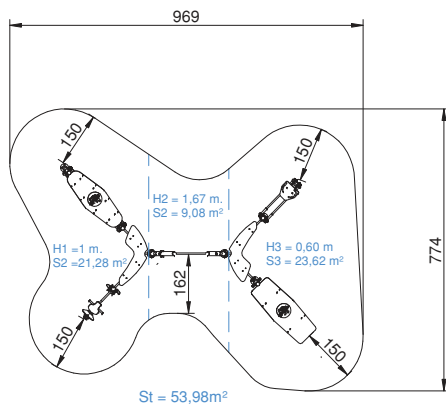
8 u.

+ 14



K070N

NEW



167 cm.

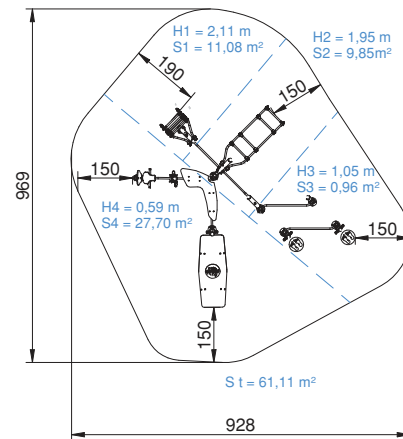
8 u.

+ 14



K080N

NEW



211 cm.

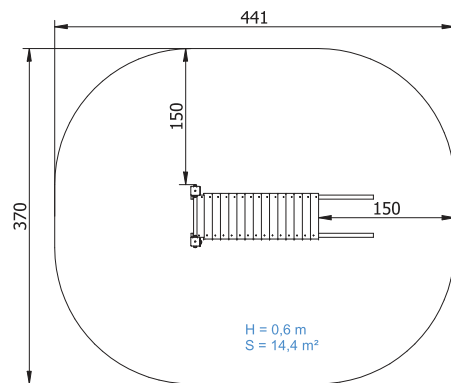
12 u.

+ 14



# Health Natura

CDE02



60 cm.



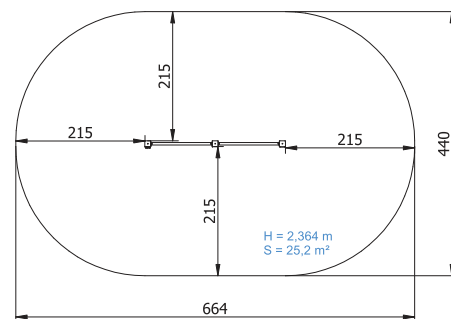
1 u.



+ 14



CDE03



236 cm.



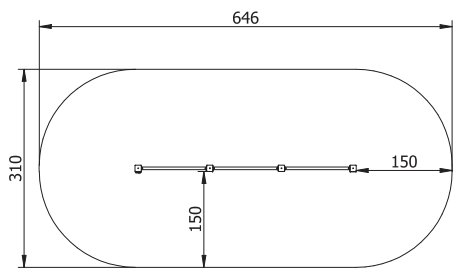
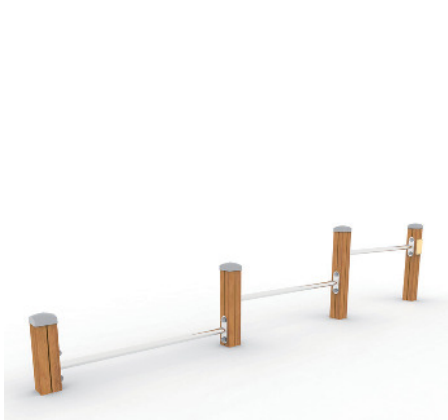
2 u.



+ 14



CDE04



H = 0,525 m  
S = 17,3 m<sup>2</sup>



53 cm.



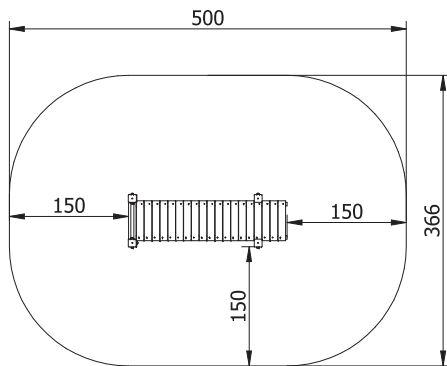
3 u.



+ 14



CDE05



H = 0,406 m  
S = 16,3 m<sup>2</sup>



41 cm.



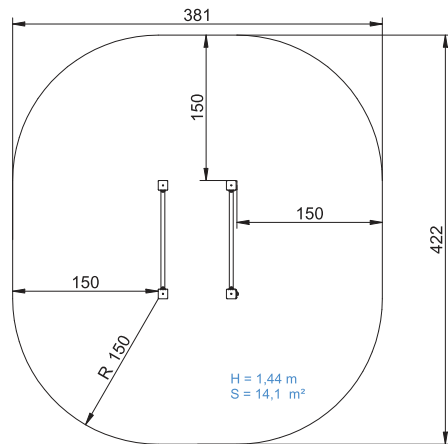
1 u.



+ 14



CDE06



H = 1,44 m  
S = 14,1 m<sup>2</sup>



144 cm.



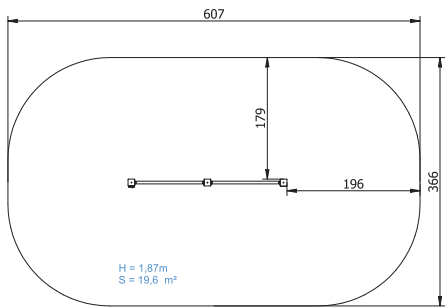
1 u.



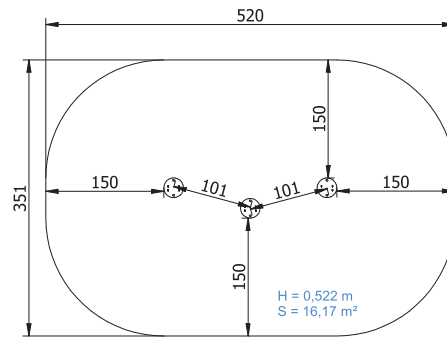
+ 14



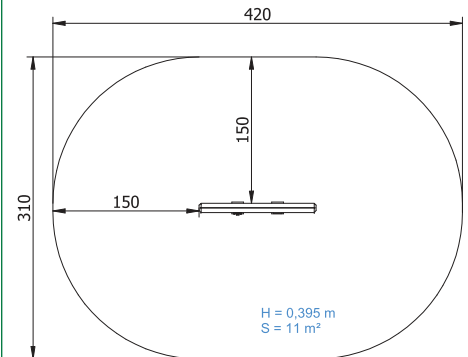
CDE07



CDE08

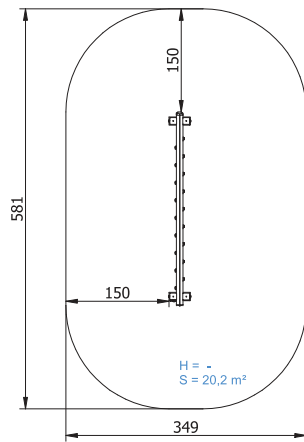


CDE09





CDE10



-



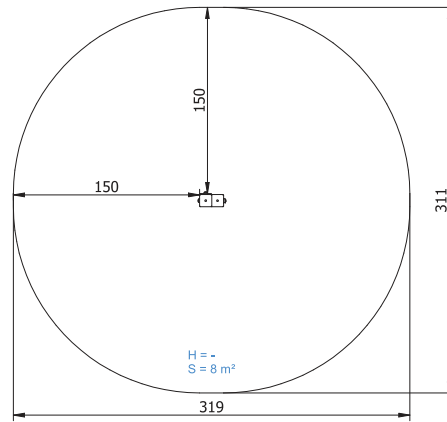
2 u.



+14



CDE11



-



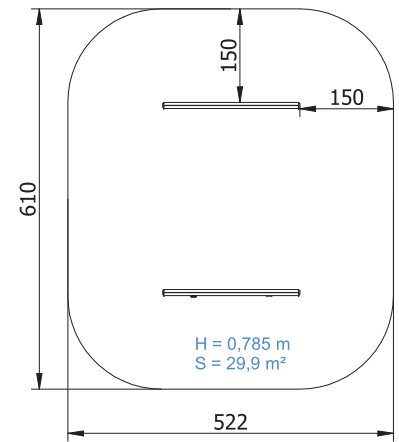
1 u.



+14



CDE12



79 cm.



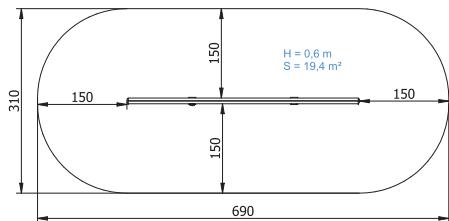
2 u.



+14



CDE13



60 cm.



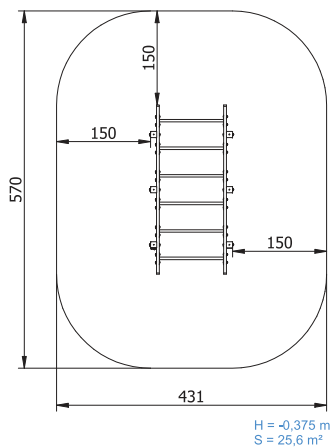
2 u.



+ 14



CDE15



38 cm.



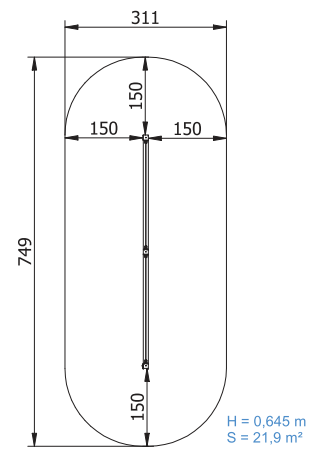
1 u.



+ 14



CDE19



65 cm.



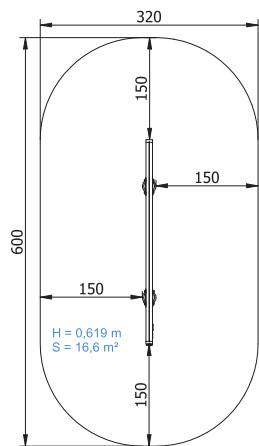
1 u.



+ 14



CDE22



62 cm.



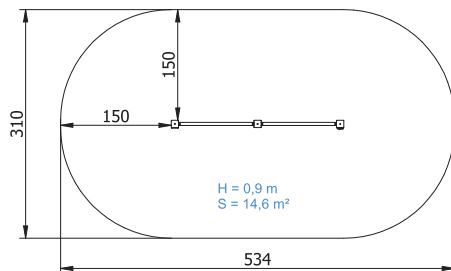
2 u.



+ 14



CDE23



90 cm.



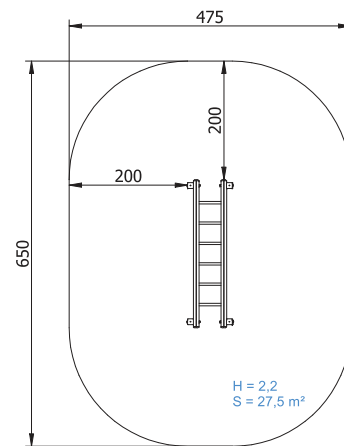
2 u.



+ 14



CDE50



217 cm.



2 u.

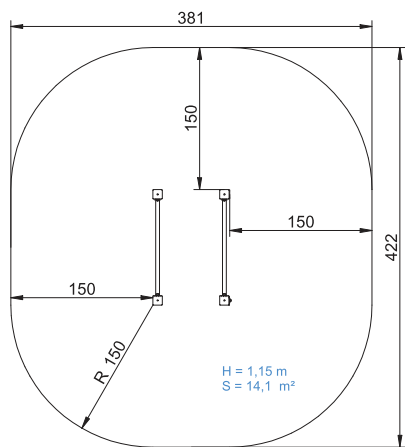


+ 14



CDE52

NEW



115 cm.



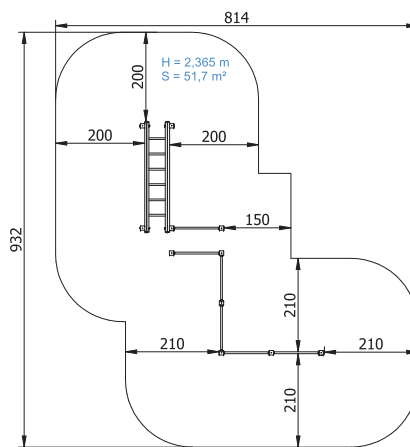
1 u.



+ 14



CDE100A



237 cm.



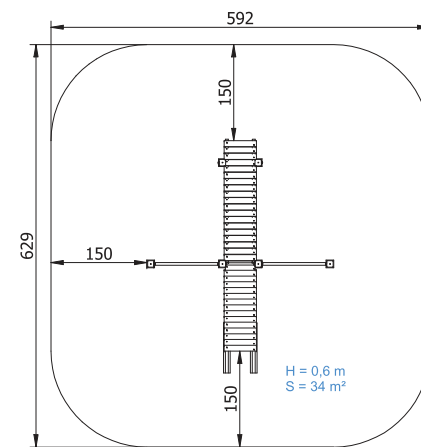
7 u.



+ 14



CDE200A



60 cm.



4 u.

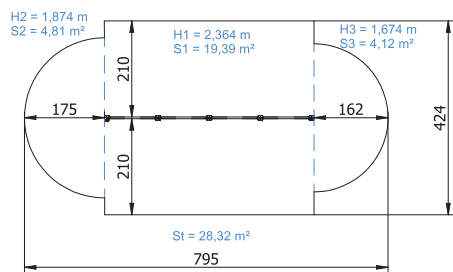


+ 14





CDE300A



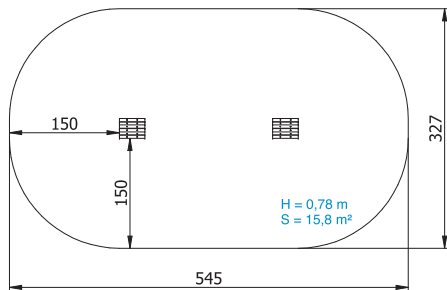
236 cm.

4 u.

+ 14



MU005



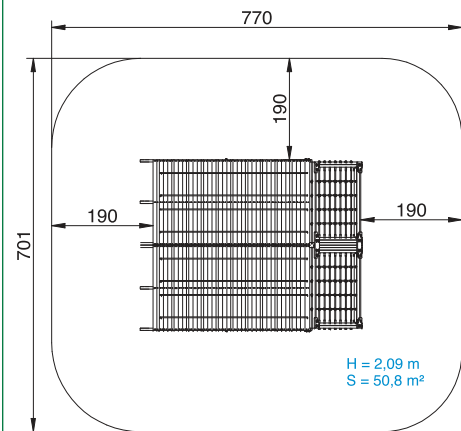
78 cm.

2 u.

+ 14



GC01



209 cm.

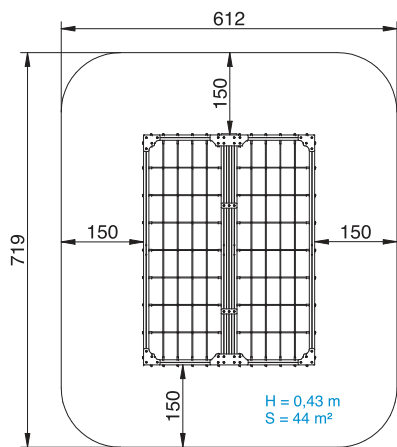
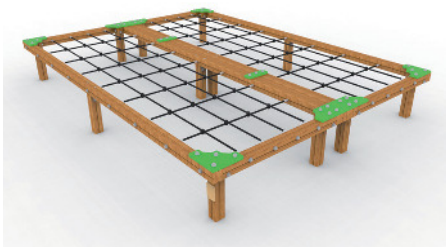
4 u.

+ 14



GC02

NEW



43 cm.



4 u.

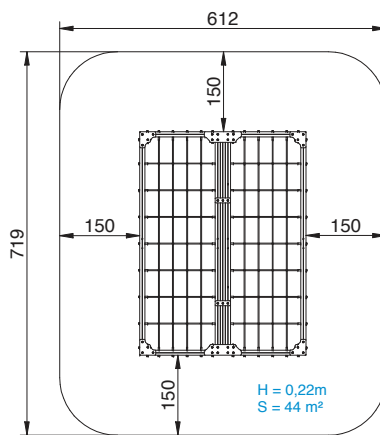
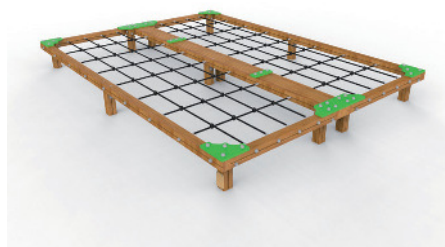


+ 14



GC04

NEW



22 cm.



4 u.

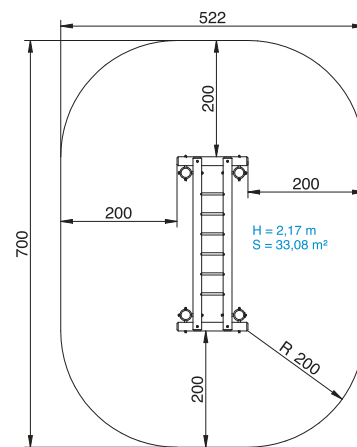


+ 14



CDE50R

NEW



217 cm.



2 u.

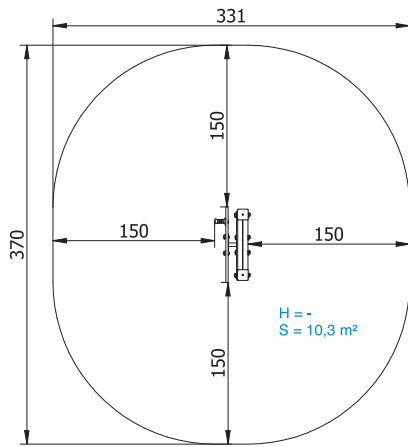


+ 14





GA01



-



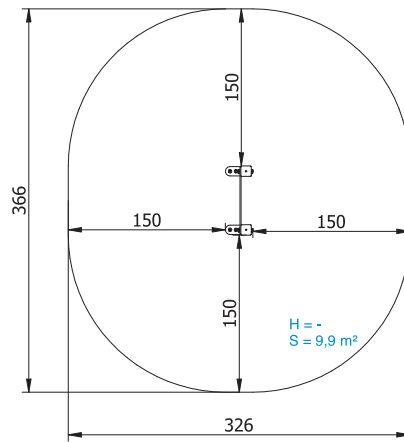
1 u.



+14



GA02



-



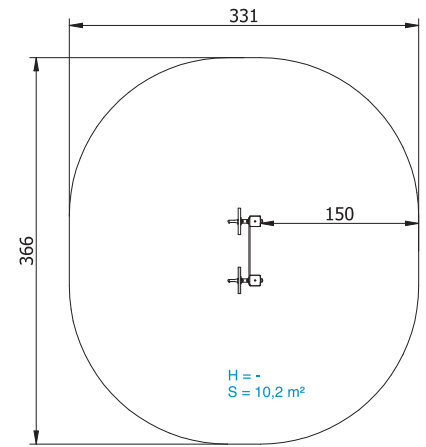
1 u.



+14



GA03



-



1 u.

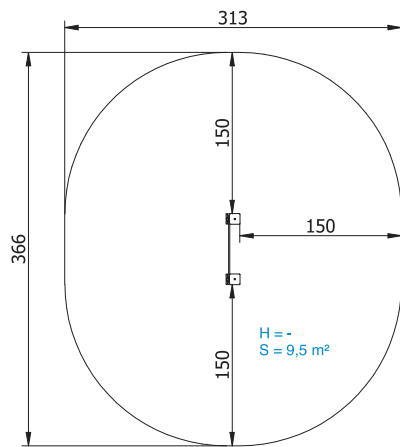


+14





GA04



-



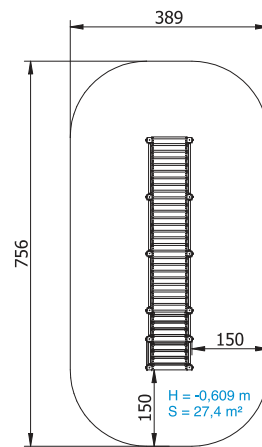
1 u.



+14



GA06



61 cm.



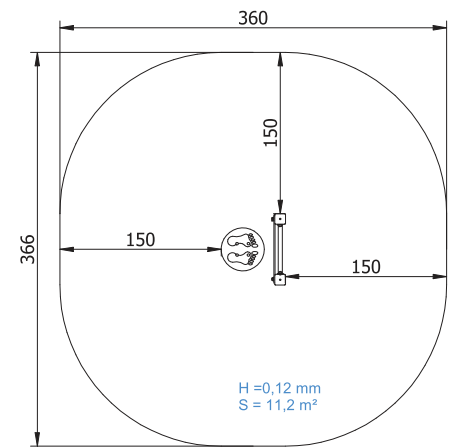
2 u.



+14



GA07



12 cm.



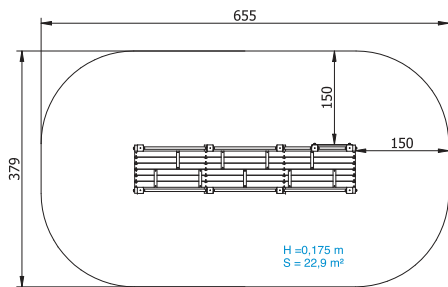
1 u.



+14



GA08



18 cm.



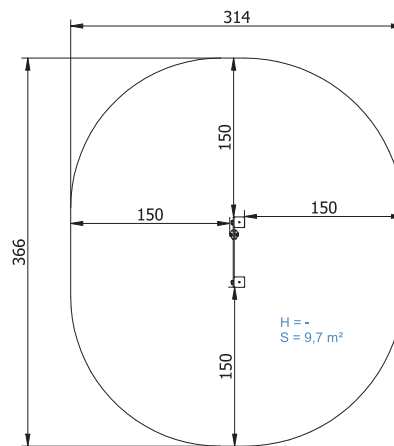
2 u.



+ 14



GA09



-



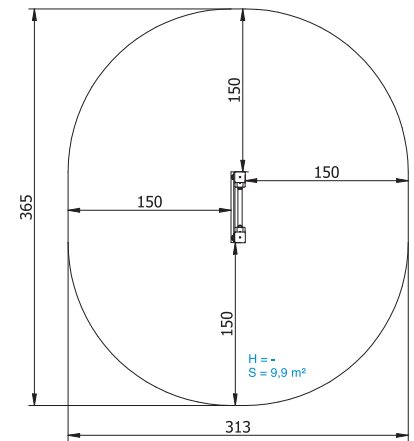
1 u.



+ 14



GA10



-



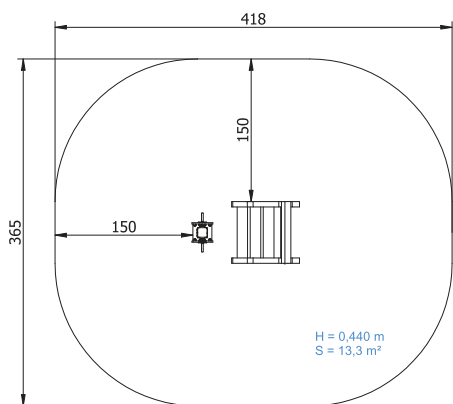
1 u.



+ 14



GA11



44 cm.



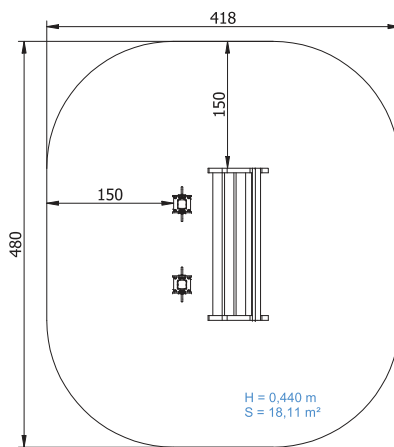
1 u.



+ 14



GA12



44 cm.



2 u.



+ 14



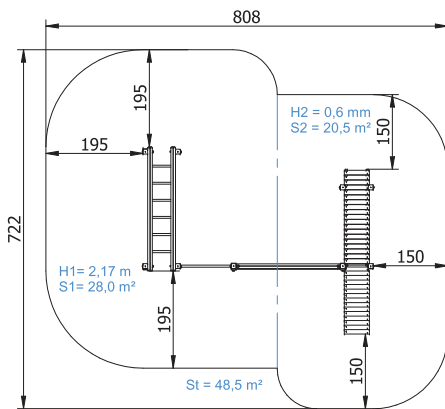








# UG040



217 cm.



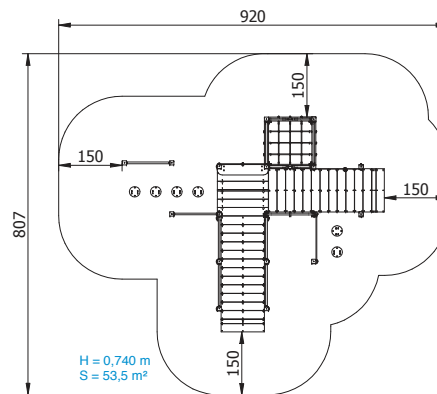
8 u.



+ 14



# UG050



74 cm.



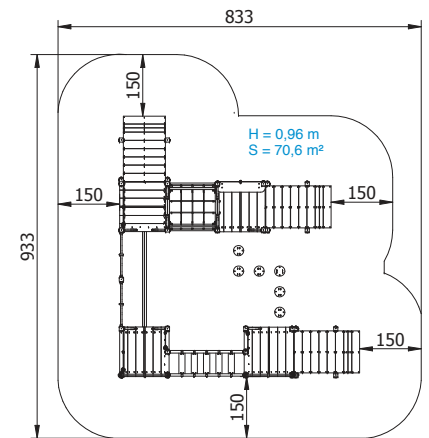
10 u.



+ 14



# UG060



96 cm.



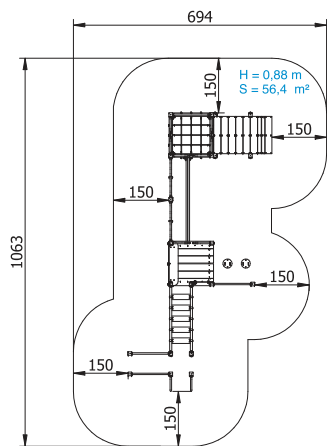
16 u.



+ 14



UG070



88 cm.



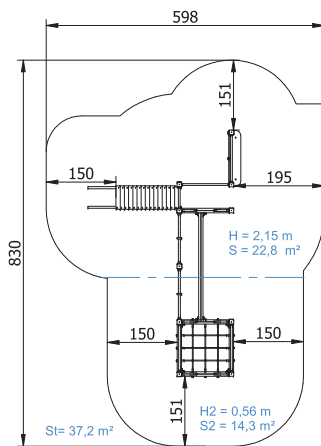
14 u.



+ 14



UG080



215 cm.



10 u.

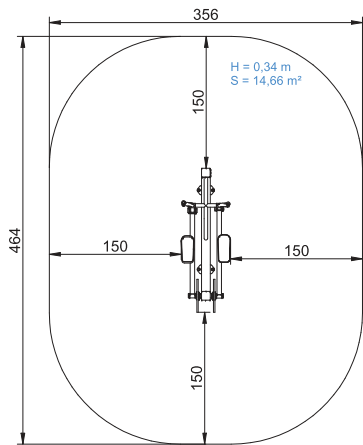


+ 14



Health Urban

JSA012



34 cm.



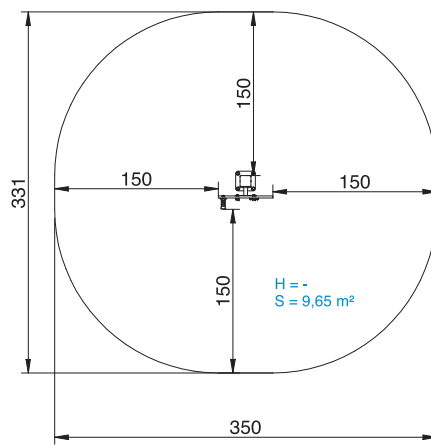
1 u.



+ 14



JSA013



-



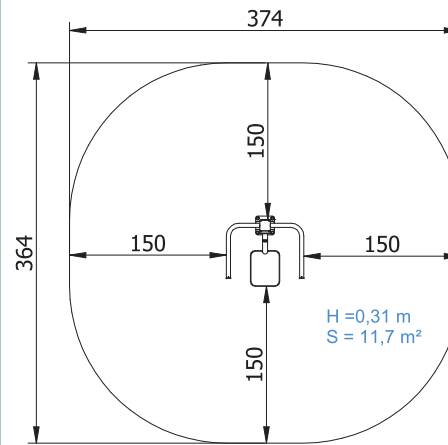
1 u.



+ 14



JSA014



31 cm.



1 u.

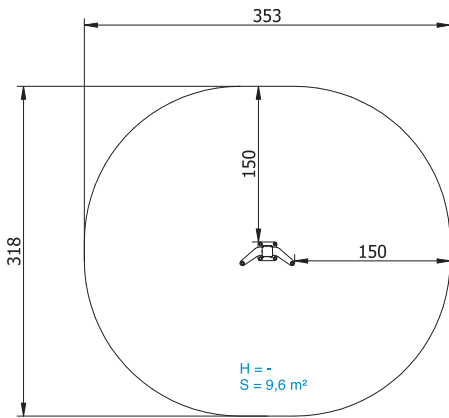


+ 14





JSA015



-



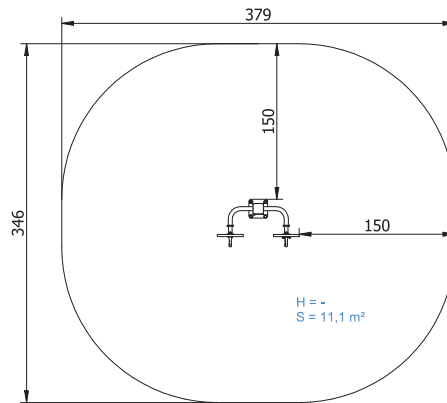
1 u.



+14



JSA016



-



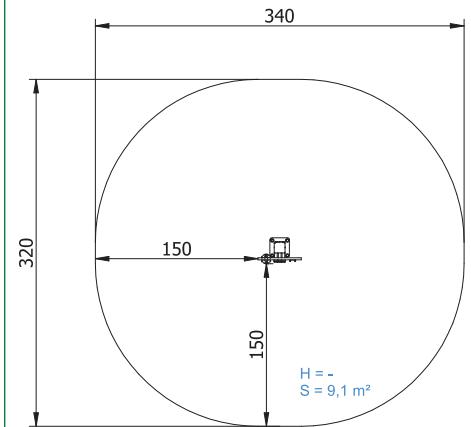
1 u.



+14



JSA017



-



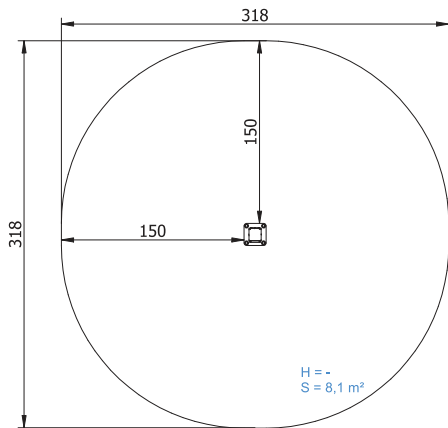
1 u.



+14



JSA018



-



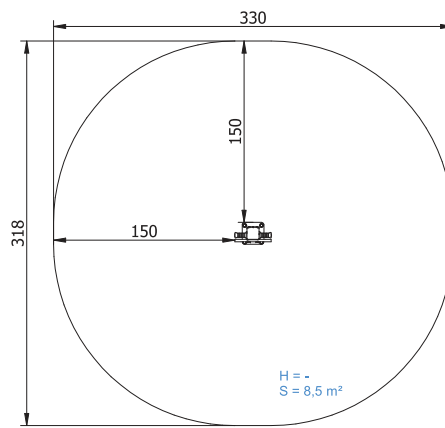
1 u.



+ 14



JSA019



-



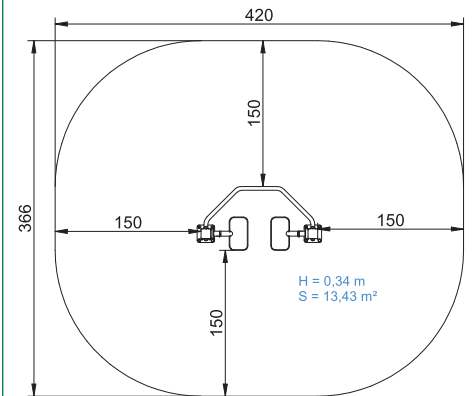
1 u.



+ 14



JSA024



34 cm.



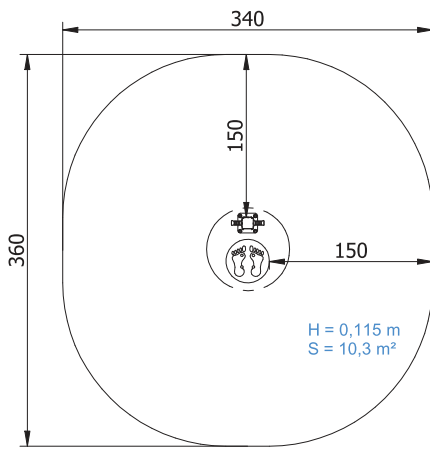
1 u.



+ 14



JSA027



12 cm.



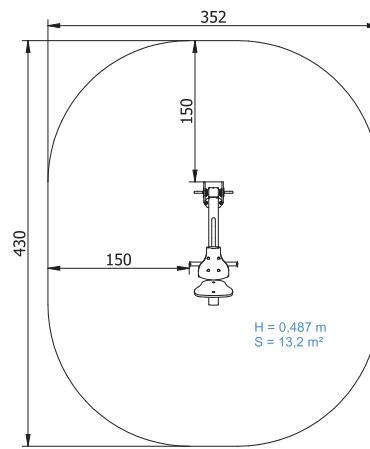
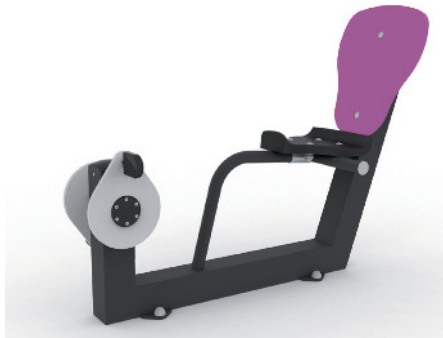
1 u.



+ 14



JSA028



49 cm.



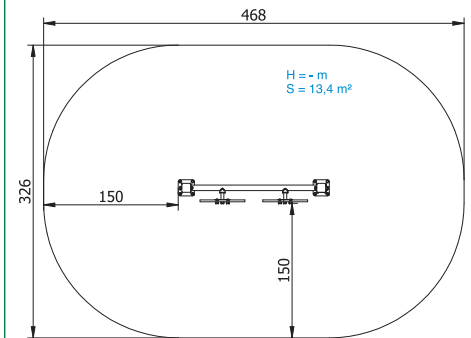
1 u.



+ 14



JSA029



-



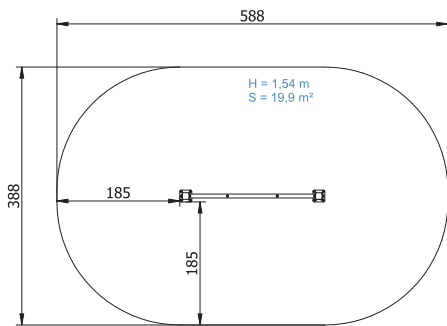
1 u.



+ 14



JSA030



154 cm.



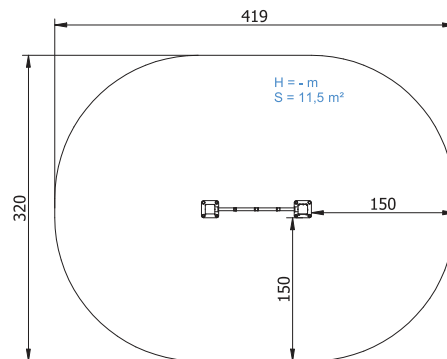
1 u.



+ 14



JSA031



-



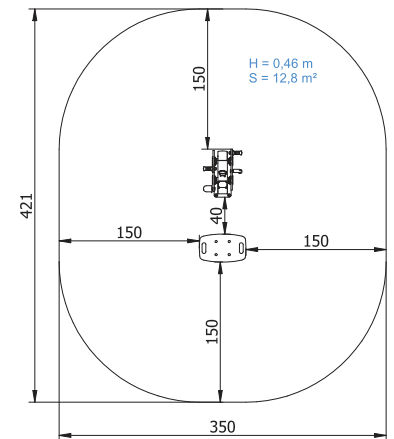
1 u.



+ 14



JSA032



46 cm.



2 u.

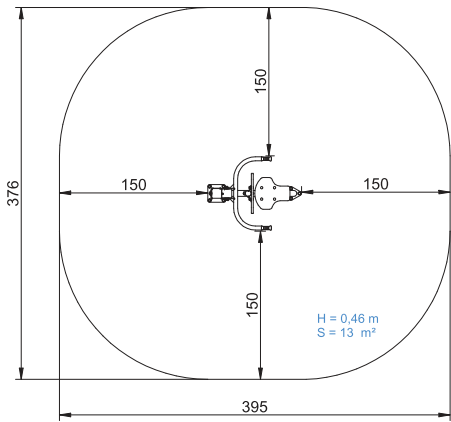


+ 14





JSA045



46 cm.



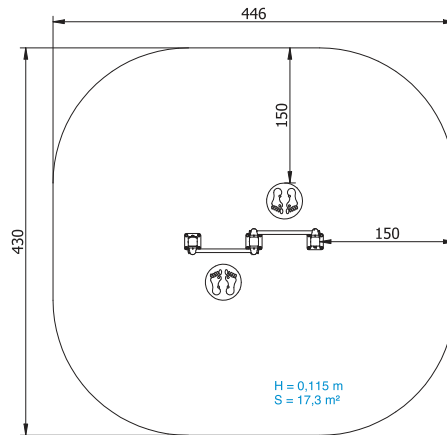
1 u.



+ 14



TW001



12 cm.



2 u.

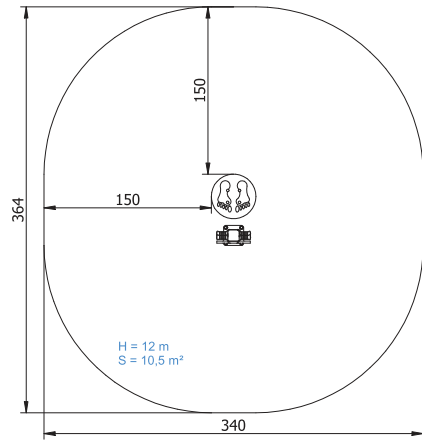


+ 14





UG110



12 cm.

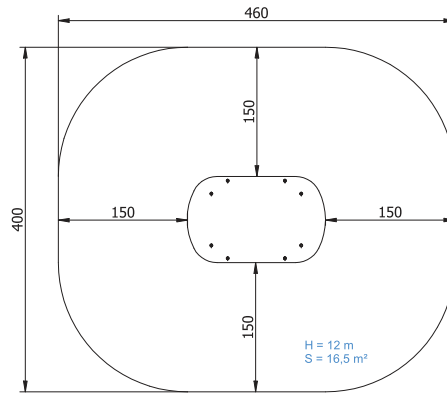
2 u.

+ 14



UG110T

NEW



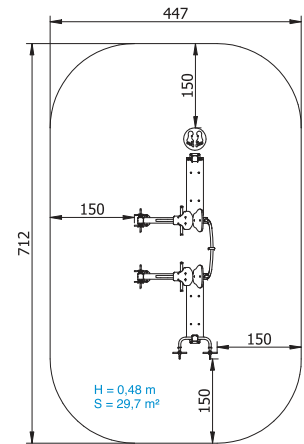
12 cm.

2 u.

+ 14



UG111



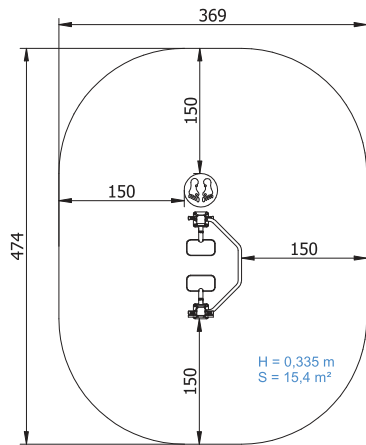
49 cm.

7 u.

+ 14



UG210



34 cm.

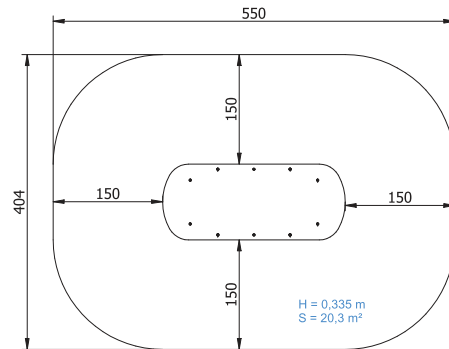
3 u.

+ 14



UG210T

NEW



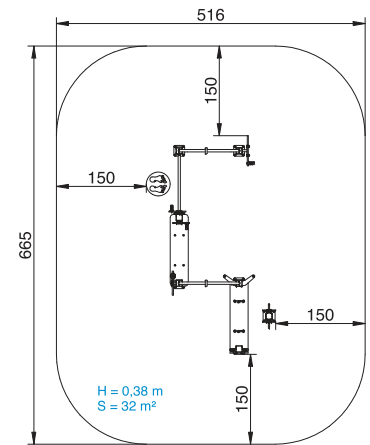
34 cm.

3 u.

+ 14



UG211



37 cm.

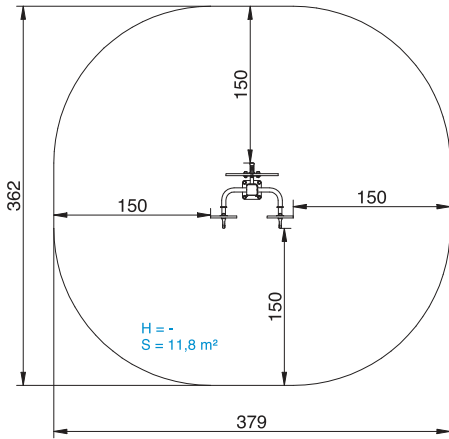
11 u.

+ 14

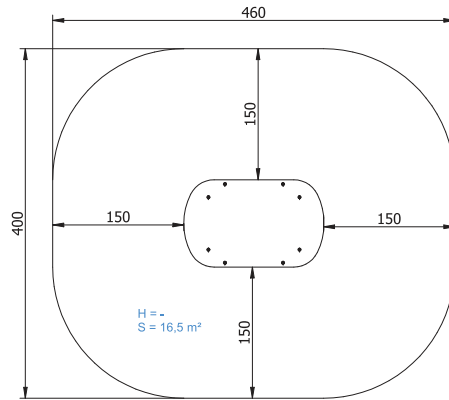




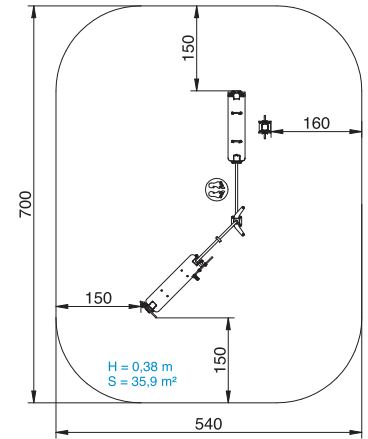
UG310



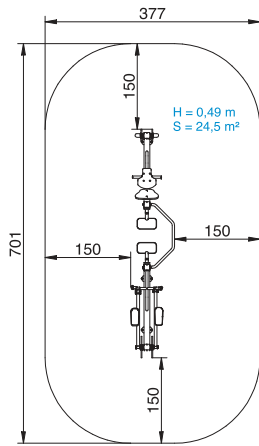
UG310T



UG311



UG410



49 cm.



3 u.

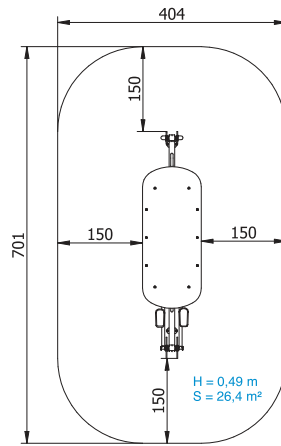


+ 14



UG410T

NEW



49 cm.



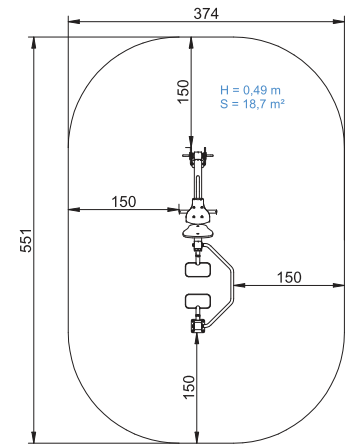
3 u.



+ 14



UG510



49 cm.



2 u.

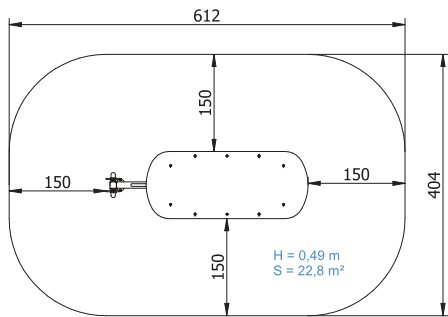


+ 14



UG510T

NEW



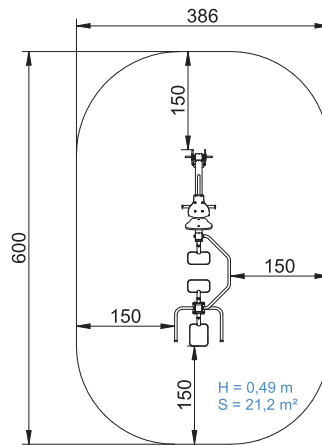
49 cm.

2 u.

+ 14



UG610



49 cm.

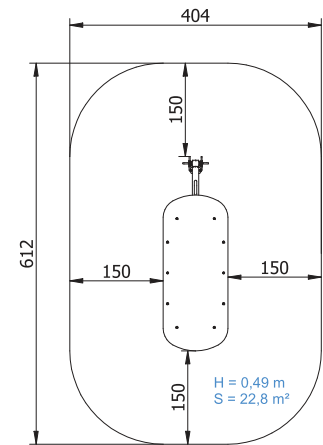
3 u.

+ 14



UG610T

NEW



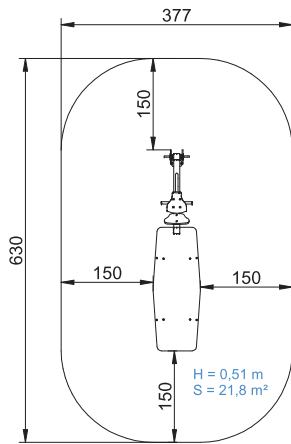
49 cm.

3 u.

+ 14



UG710



50 cm.



2 u.

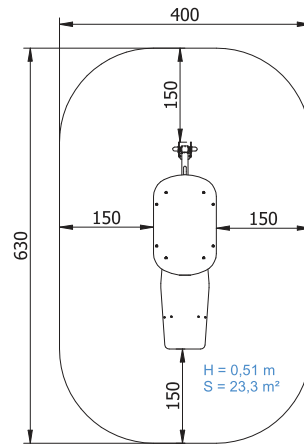


+ 14



UG710T

NEW



50 cm.



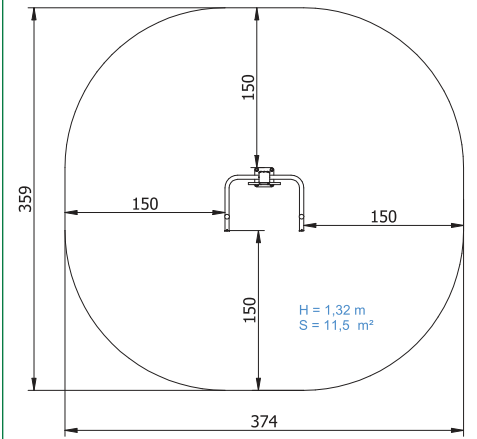
2 u.



+ 14



UG810



132 cm.



1 u.



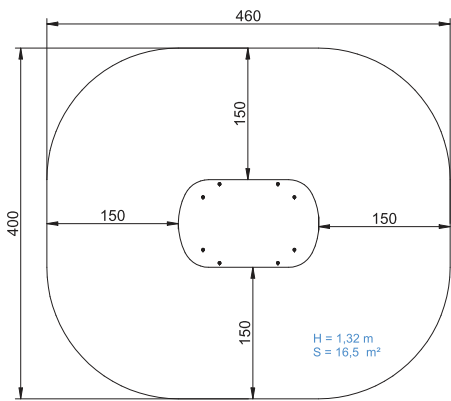
+ 14





UG810T

NEW



132 cm.



1 u.

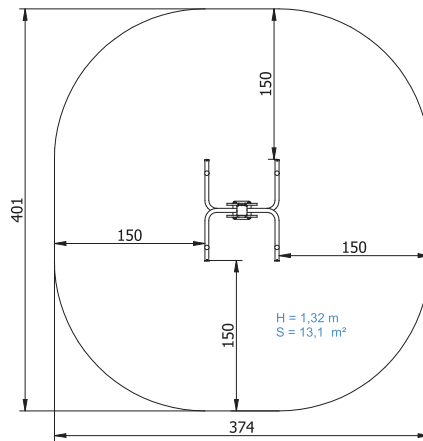


+ 14



UG810D

NEW



132 cm.



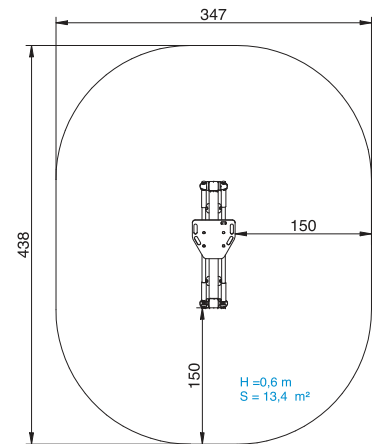
2 u.



+ 14



UG910



58 cm.



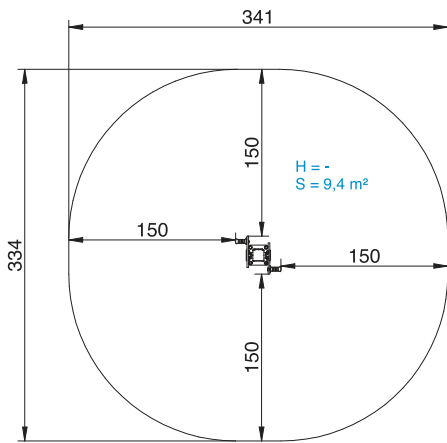
1 u.



+ 14



UG1010



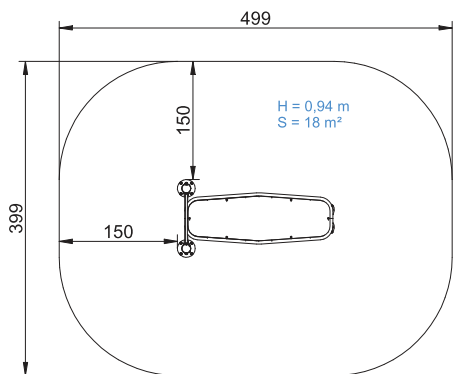
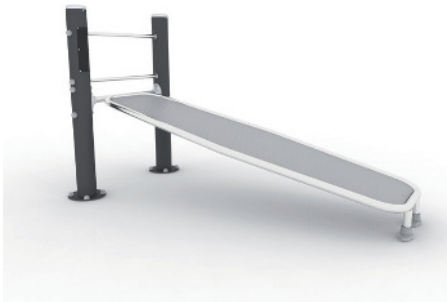
1 u.



+14



CDE02M



94 cm.



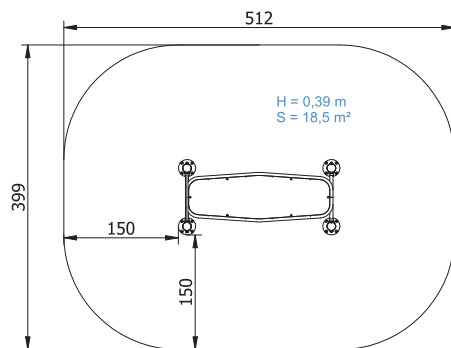
1 u.



+ 14



CDE05M



39 cm.



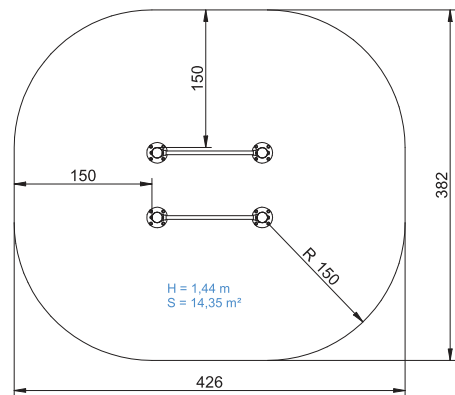
1 u.



+ 14



CDE06M



144 cm.



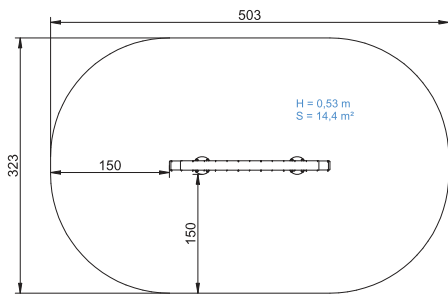
1 u.



+ 14



CDE13M



53 cm.



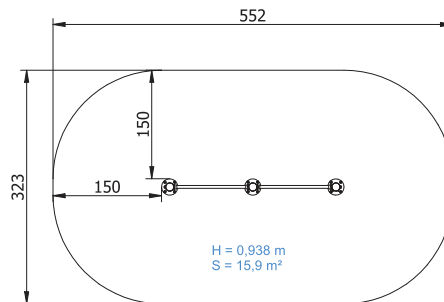
2 u.



+14



CDE23M



94 cm.



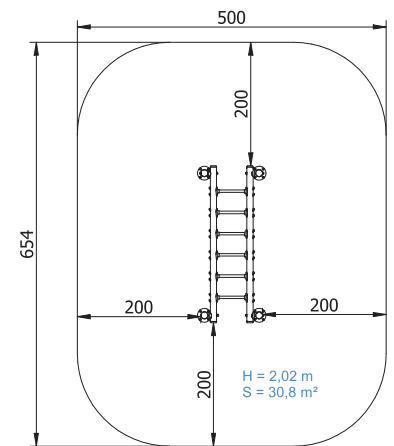
2 u.



+14



CDE50M



202 cm.



2 u.



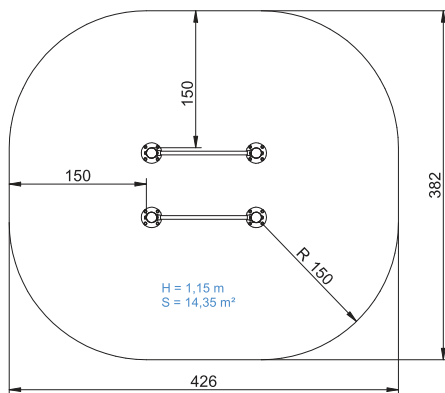
+14





CDE52M

NEW



115 cm.



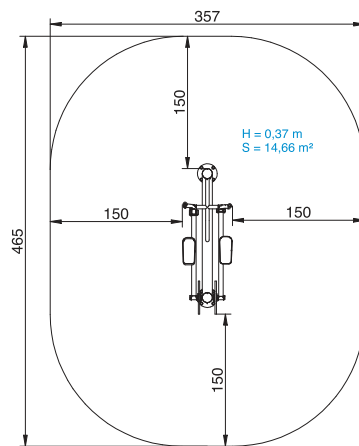
1 u.



+ 14



JSA012R



37 cm.



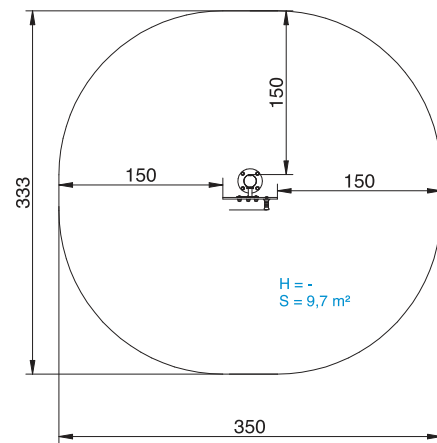
1 u.



+ 14



JSA013R



-



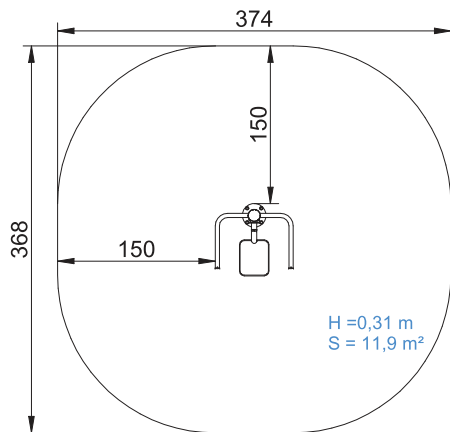
1 u.



+ 14



JSA014R



31 cm.



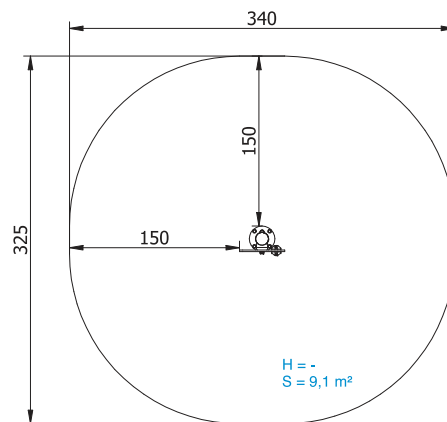
1 u.



+ 14



JSA017R



-



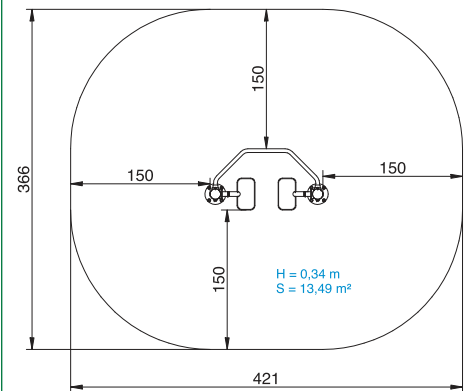
1 u.



+ 14



JSA024R



34 cm.



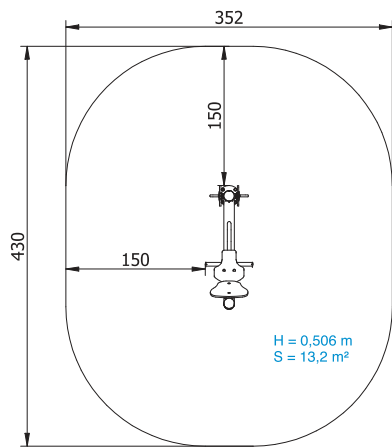
1 u.



+ 14



JSA028R



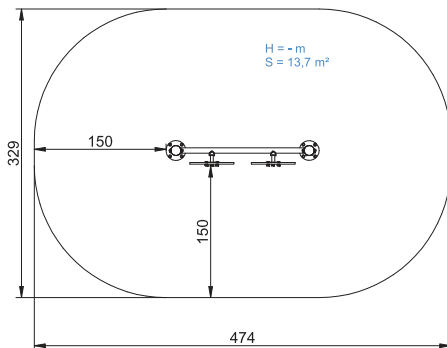
51 cm.

1 u.

+ 14



JSA029R



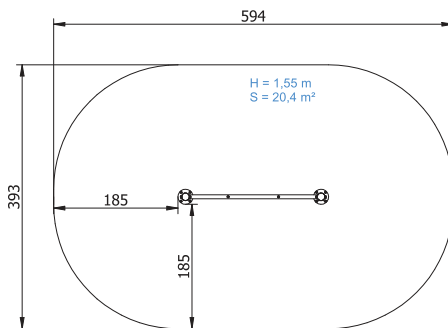
-

1 u.

+ 14



JSA030R



154 cm.

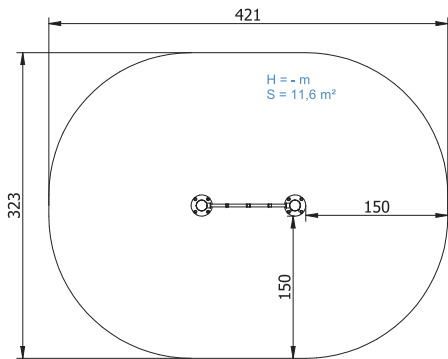
1 u.

+ 14



JSA031R

NEW



-



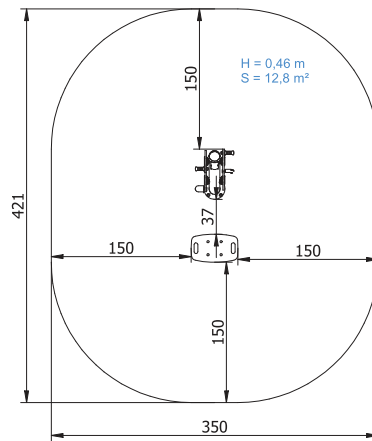
1 u.



+ 14



JSA032R



46 cm.



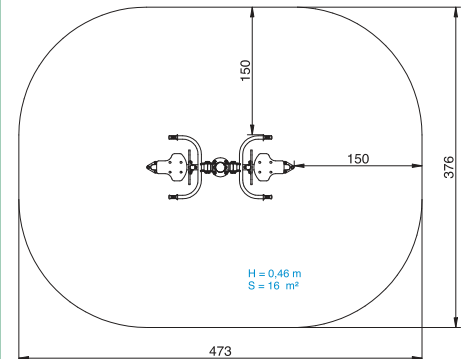
2 u.



+ 14



JSA044R



46 cm.



2 u.

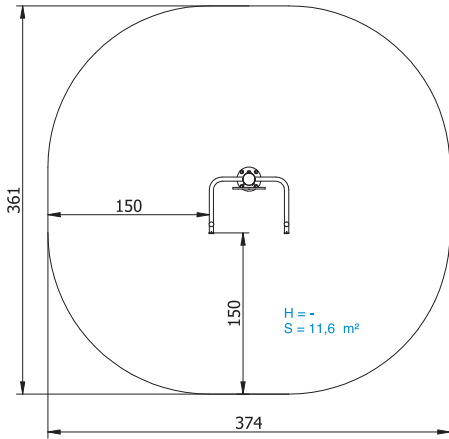


+ 14





UG810R



-



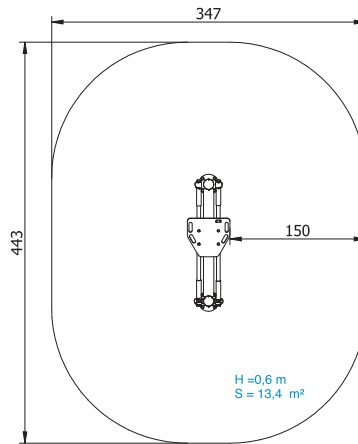
1 u.



+ 14



UG910R



58 cm.



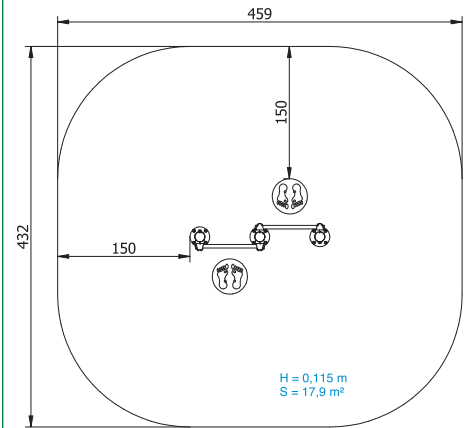
1 u.



+ 14



TW001R



12 cm.



2 u.

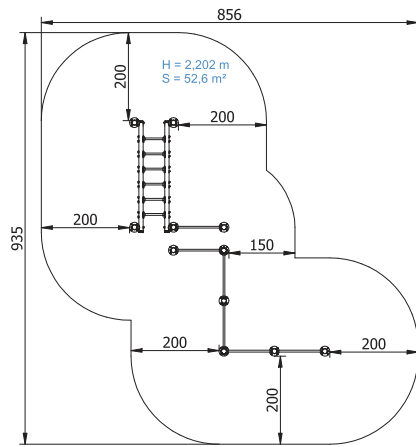


+ 14





### CDE100AM



220 cm.



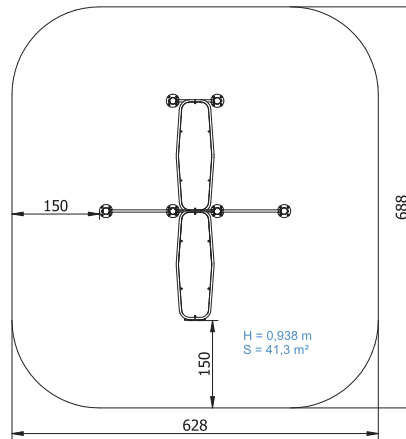
7 u.



+ 14



### CDE200AM



94 cm.



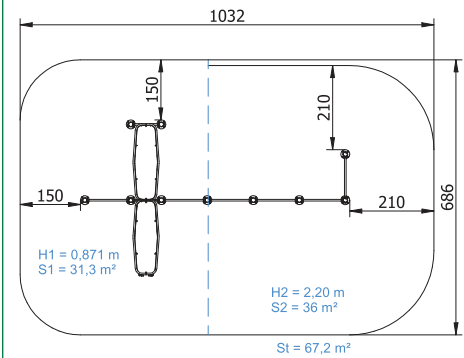
4 u.



+ 14



### GC09M



220 cm.



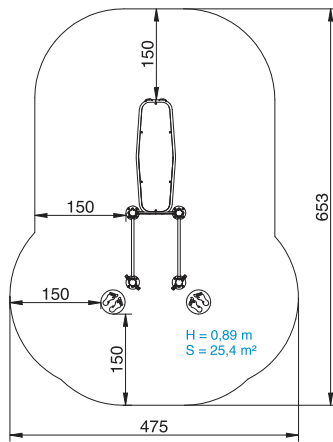
8 u.



+ 14



## UG010M



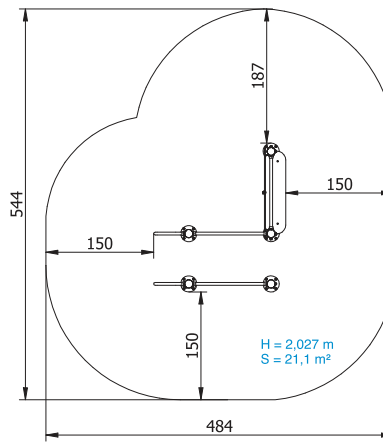
89 cm.

4 u.

+ 14



## UG020M



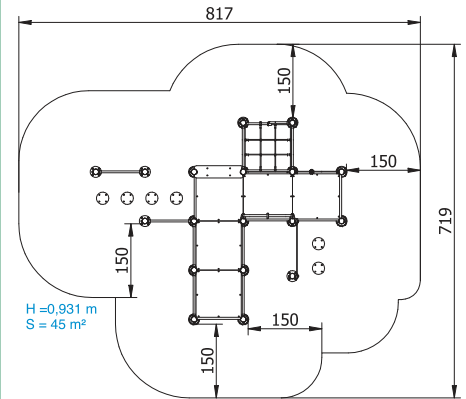
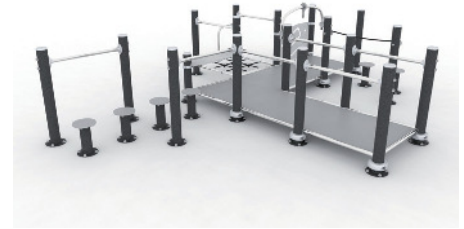
203 cm.

4 u.

+ 14



## UG050M



93 cm.

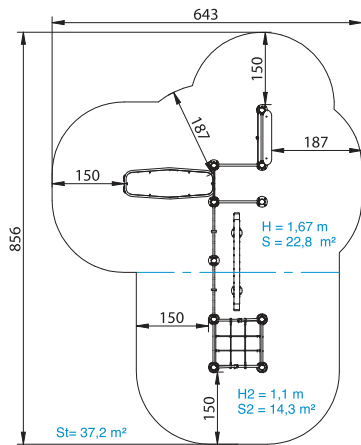
10 u.

+ 14





# UG080M



167 cm.



10 u.



+ 14



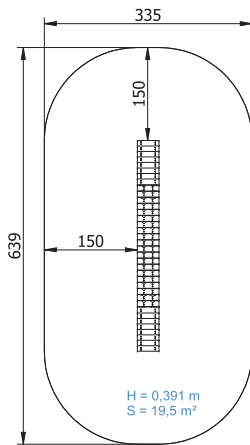


# Biking



EN 14974

CDE16



39 cm.



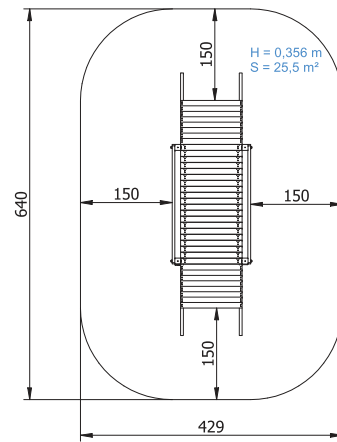
1 u.



+12



CDE18



36 cm.



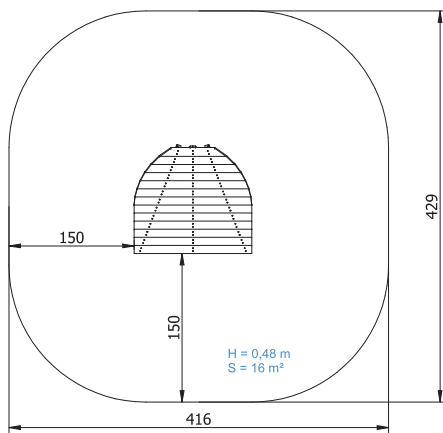
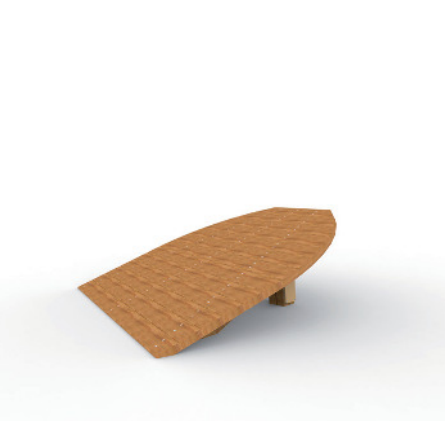
1 u.



+12



CDE24



48 cm.



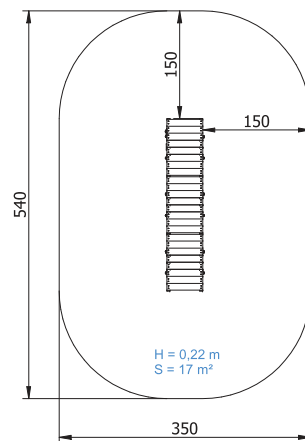
1 u.



+12



CDE25



22 cm.



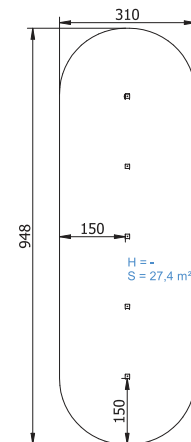
1 u.



+12



CDE26



-



1 u.

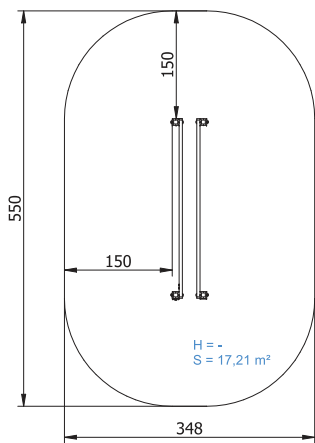


+12





CDE27



-



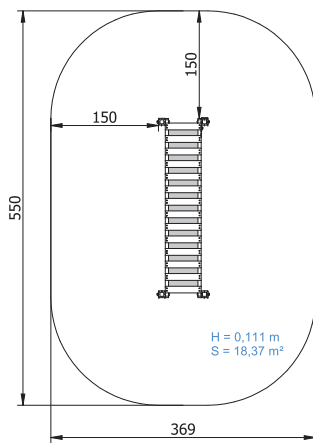
1 u.



+12



CDE28



11 cm.



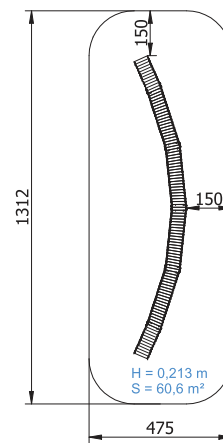
1 u.



+12



CDE35



21 cm.



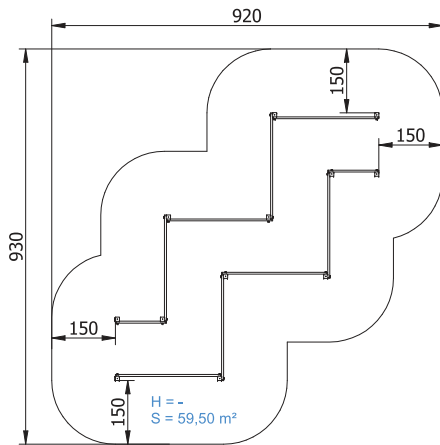
1 u.



+12



CDE36



-



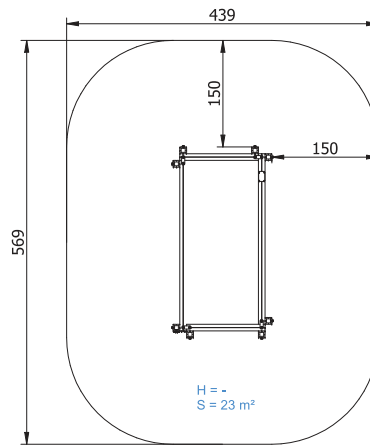
1 u.



+12



CDE37



-



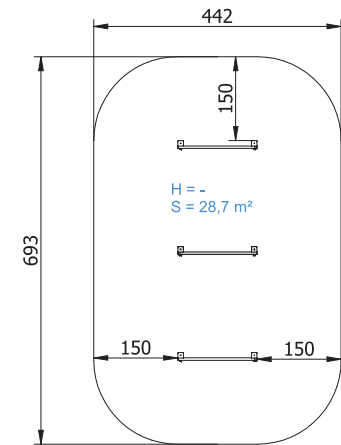
1 u.



+12



CDE38



-



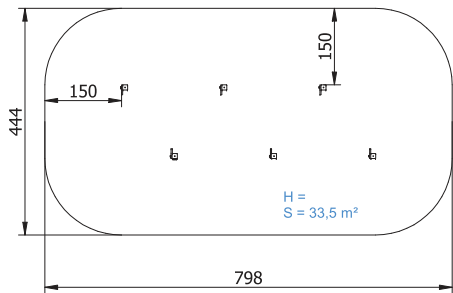
1 u.



+12



CDE39



-



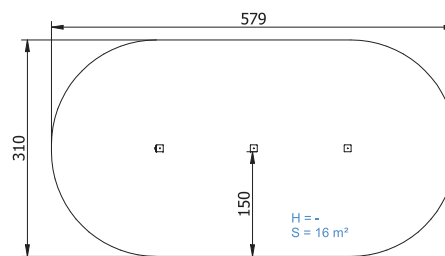
1 u.



+12



CDE40



-



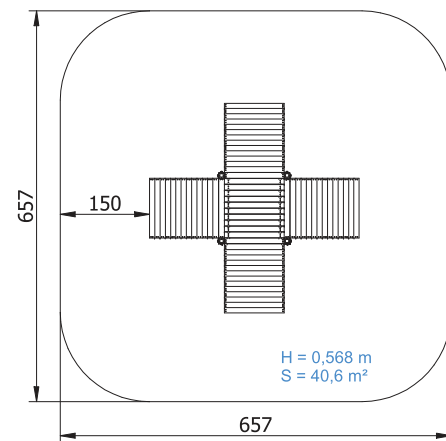
1 u.



+12



CDE42



57 cm.



1 u.



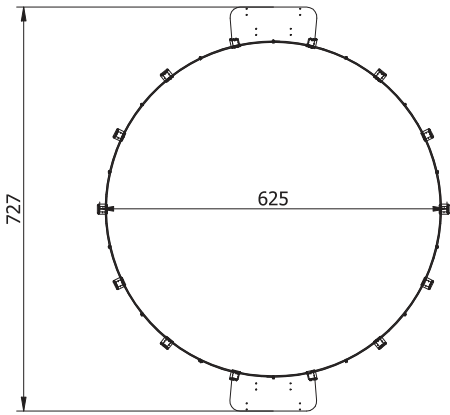
+12







ROCO



95 cm.



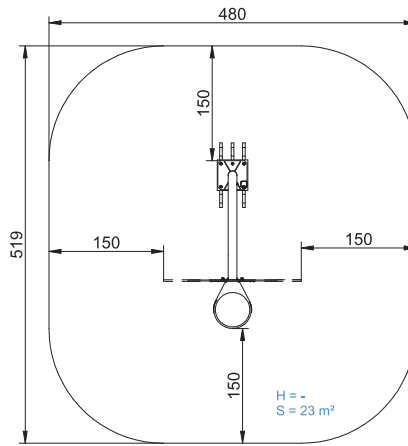
8 u.



+12



CDE30-O



-



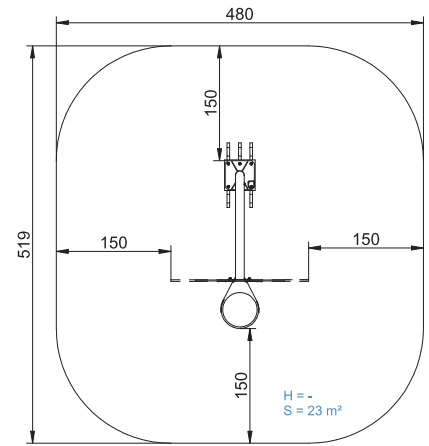
5 u.



+14



CDE30-R



-



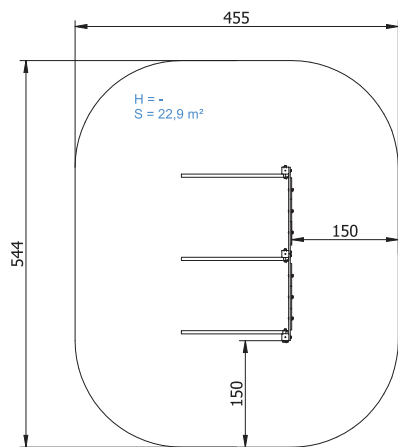
5 u.



+14



CDE33

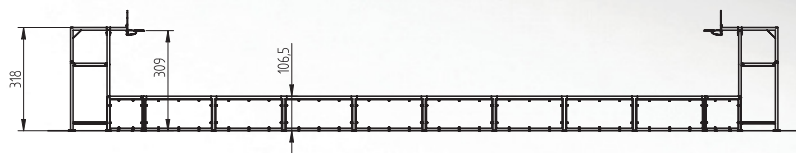
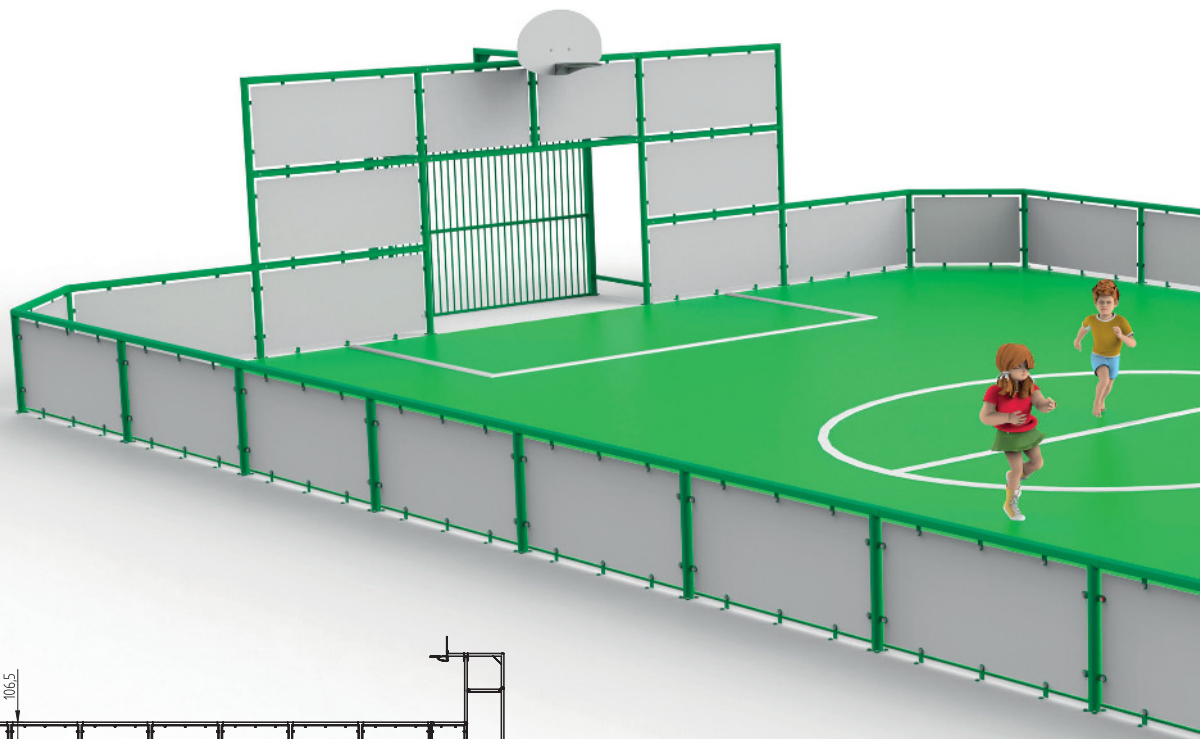
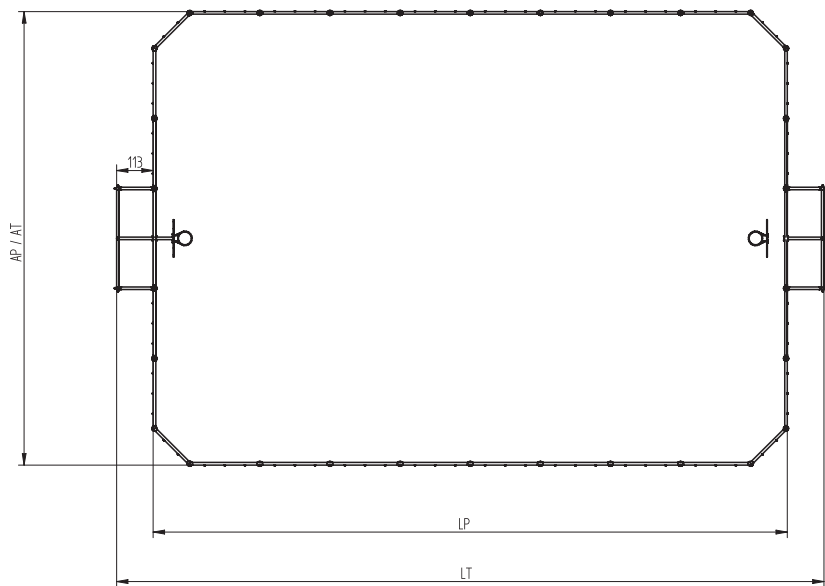


-

1 u.

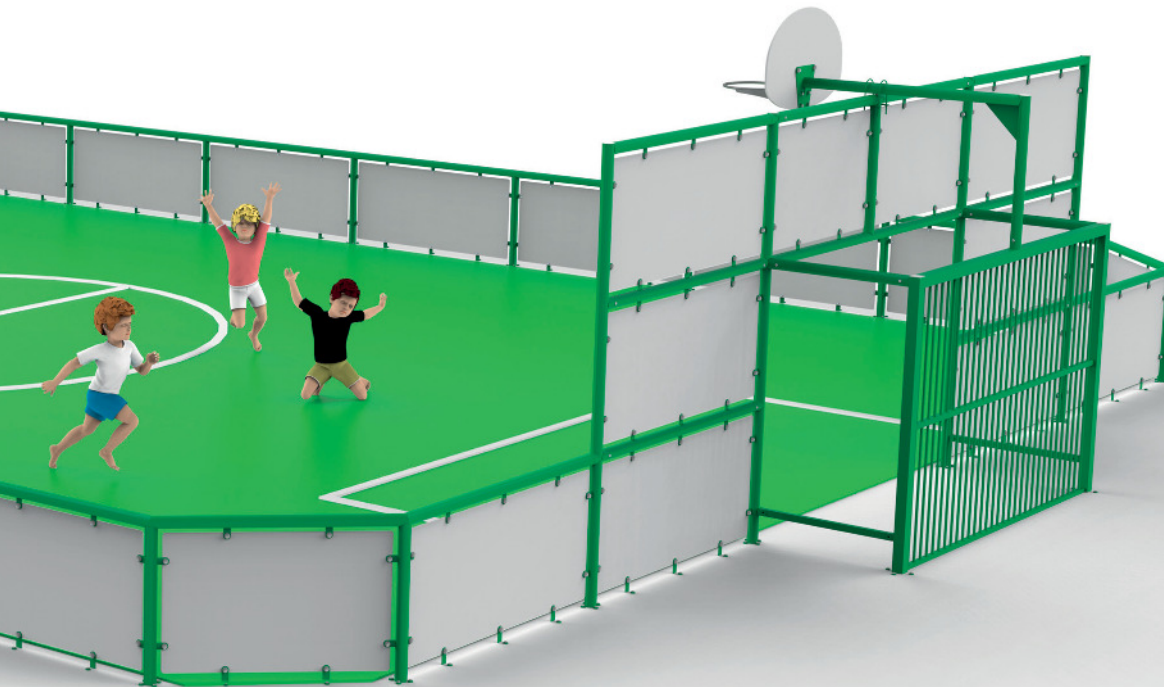
+ 14







L		A									
		AP (m)	AT (m)	AP (m)	AT (m)	AP (m)	AT (m)	AP (m)	AT (m)	AP (m)	AT (m)
		<b>9,67</b>	9,67	<b>14</b>	14	<b>18,33</b>	18,33	<b>22,66</b>	22,66	<b>26,99</b>	26,99
LP (m)	LT (m)	LxA (m <sup>2</sup> )									
<b>17,41</b>	19,67	<b>168,31</b>	190,16								
<b>19,57</b>	21,83			<b>273,98</b>	305,62						
<b>21,74</b>	24,00			<b>304,29</b>	335,93						
<b>23,90</b>	26,16			<b>334,60</b>	366,24						
<b>26,07</b>	28,33			<b>364,91</b>	396,55						
<b>28,23</b>	30,49					<b>517,46</b>	558,88				
<b>30,40</b>	32,66					<b>557,14</b>	598,57				
<b>32,56</b>	34,82					<b>596,82</b>	638,25	<b>737,81</b>	789,02		
<b>34,73</b>	36,99					<b>636,51</b>	677,94	<b>786,87</b>	838,08		
<b>36,89</b>	39,15							<b>835,93</b>	887,14	<b>995,66</b>	1056,66
<b>39,06</b>	41,32							<b>884,99</b>	936,20	<b>1054,09</b>	1115,09
<b>41,22</b>	43,48									<b>1112,53</b>	1173,53
<b>43,39</b>	45,65									<b>1170,96</b>	1231,96





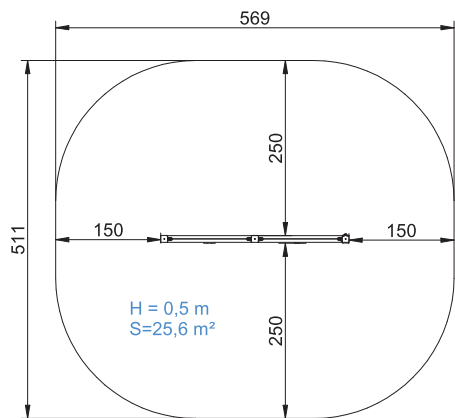
# CANES





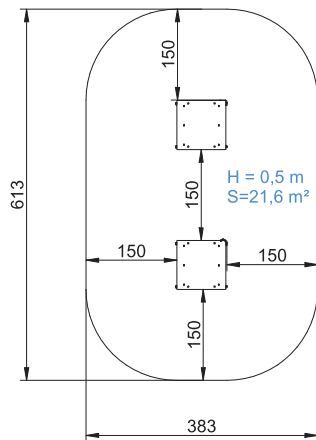


CP01



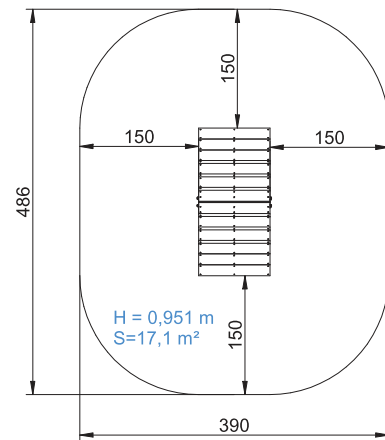
50 cm.

CP02



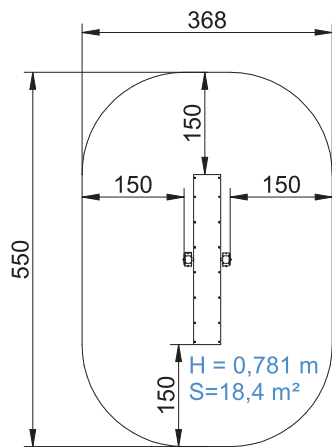
50 cm.

CP03



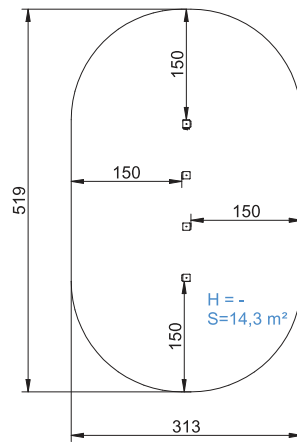
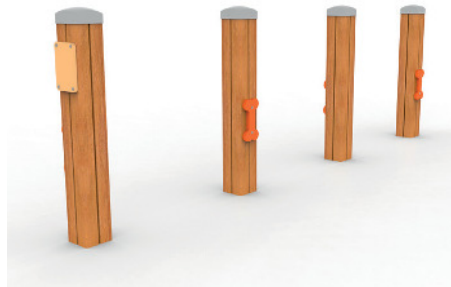
95 cm.

CP04



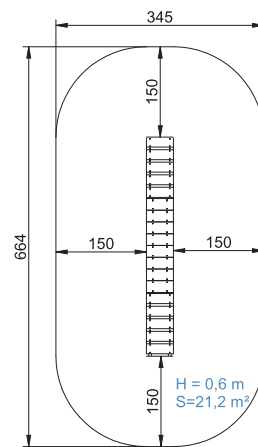
78 cm.

CP05



-

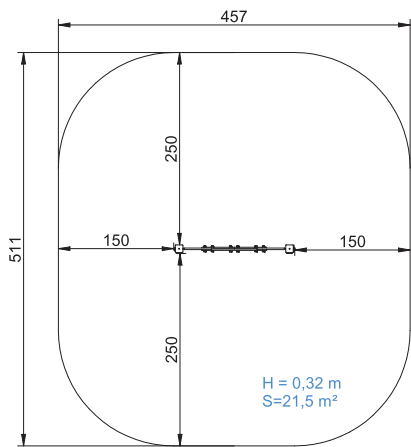
CP06



60 cm.

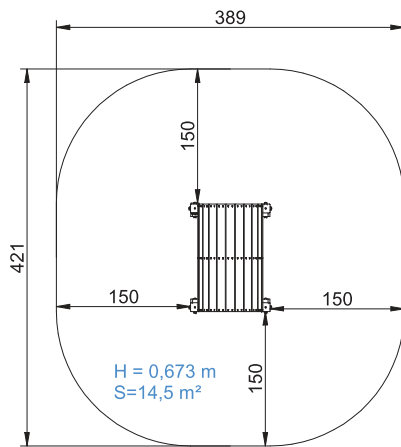


CP07



32 cm.

CP08



67 cm.









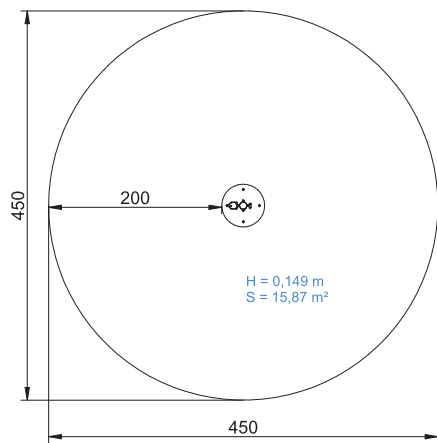
# ACCESORIES







CDE32



15 cm.



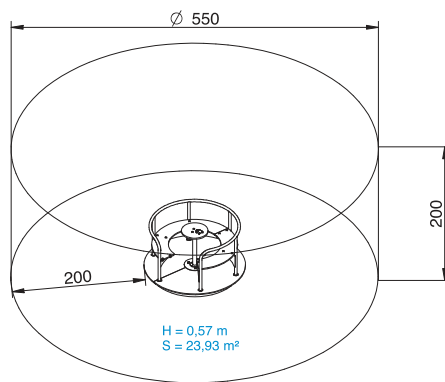
1 u.



2-8



L21



57 cm.



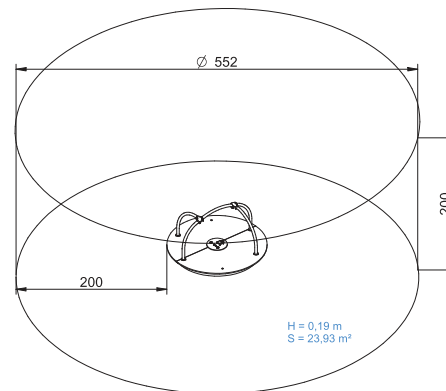
4 u.



4-14



L25



185 cm.



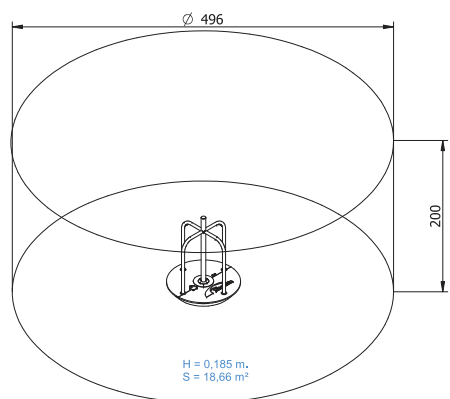
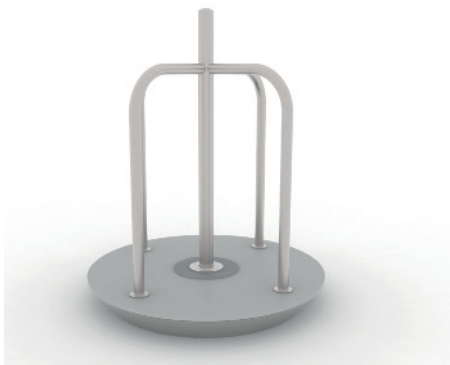
4 u.



4-14



L41



19 cm.



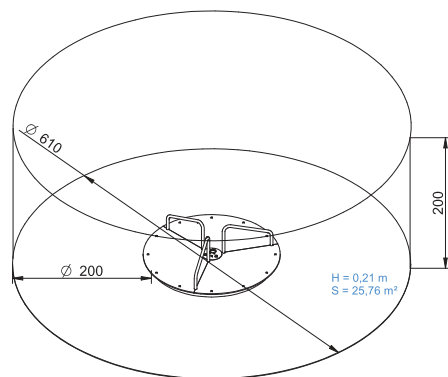
4 u.



2-14



L50



21 cm.



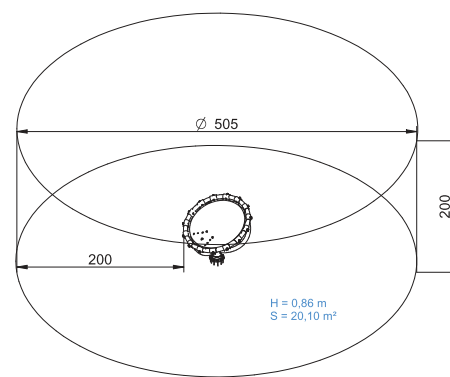
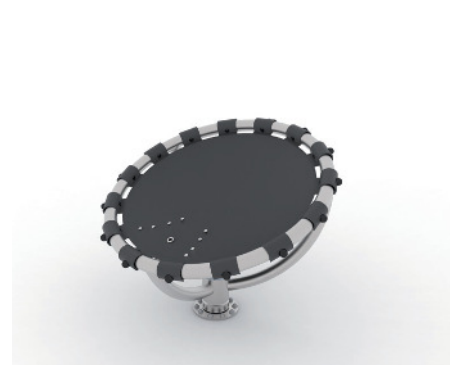
6 u.



4-14



L70



86 cm.



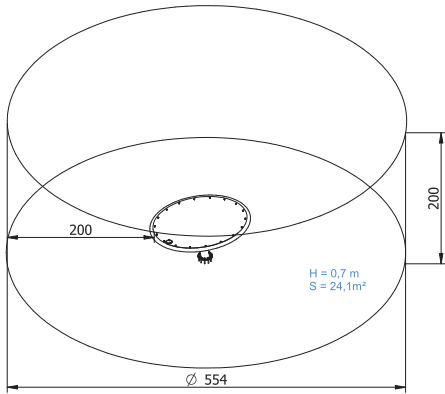
1 u.



4-14



L75



70 cm.



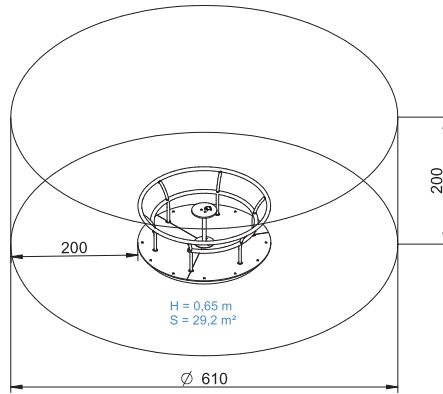
1 u.



4-14



L80



65 cm.



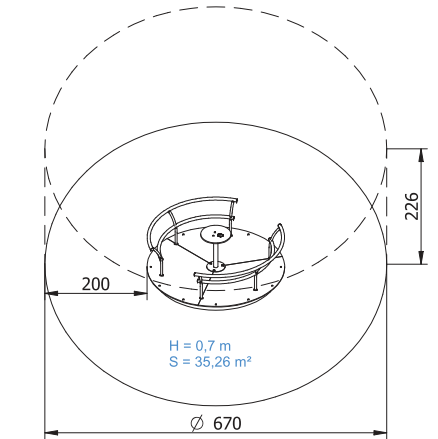
5 u.



4-14



L85i



70 cm.



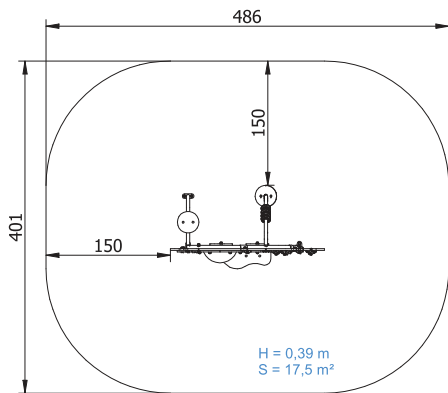
4 u.



4-14



FAC02



39 cm.



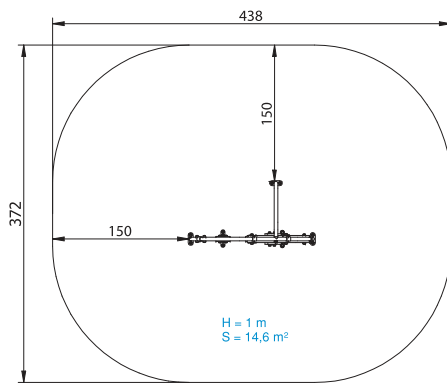
8 u.



1-4



FAC03



100 cm.



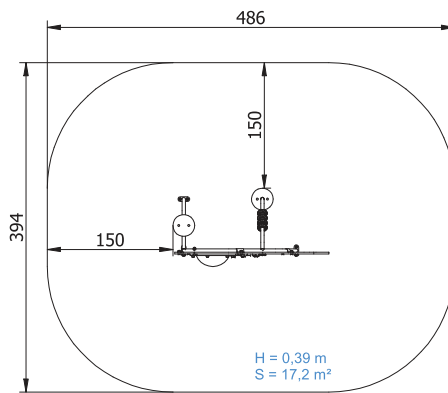
3 u.



1-4



FAC04



39 cm.



8 u.

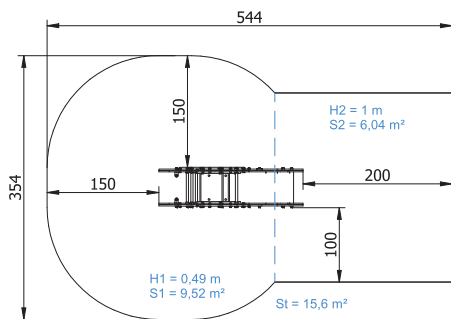
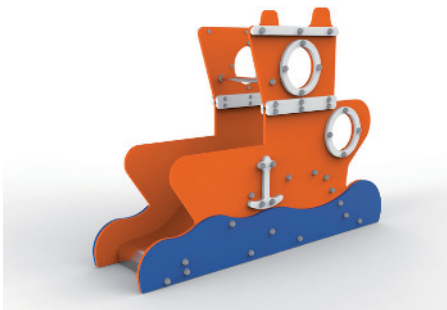


1-4





FAC05



100 cm.



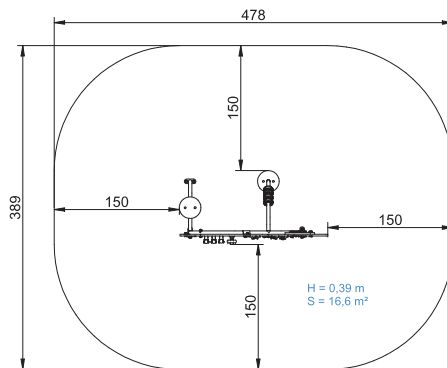
2 u.



1-4



FAC06



39 cm.



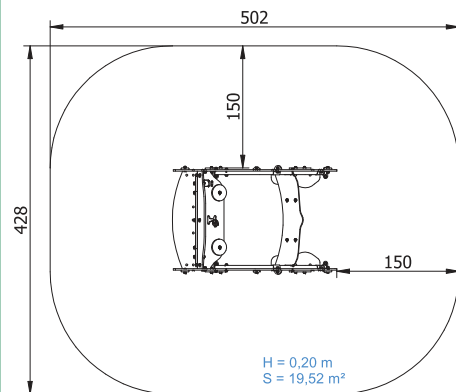
8 u.



1-4



FAC07



20 cm.



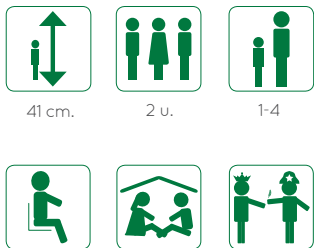
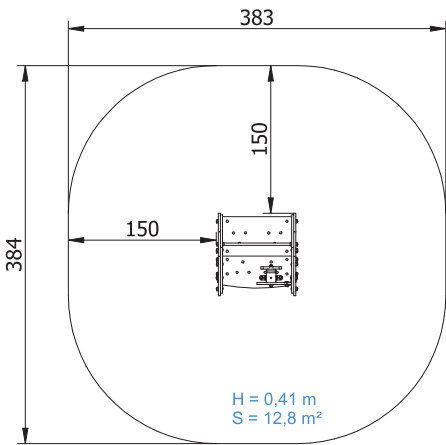
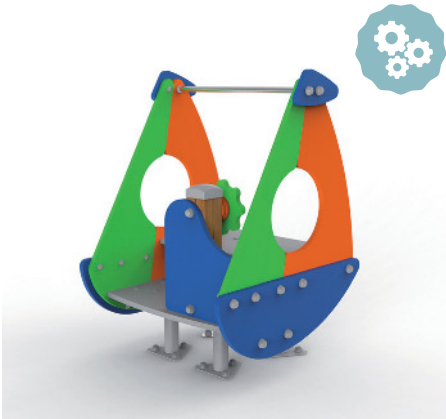
12 u.



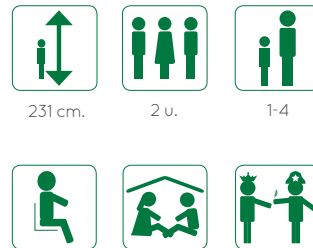
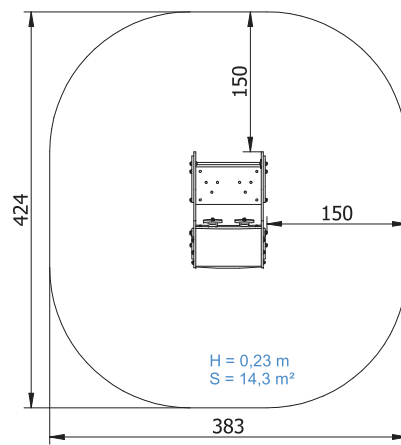
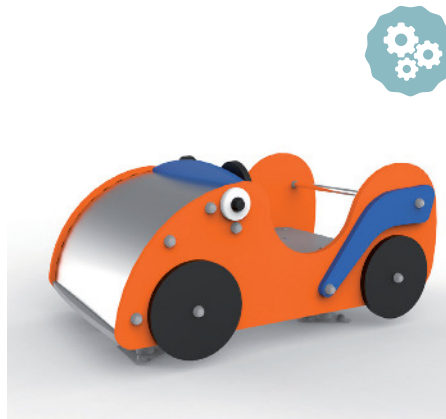
1-4



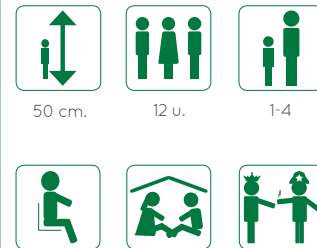
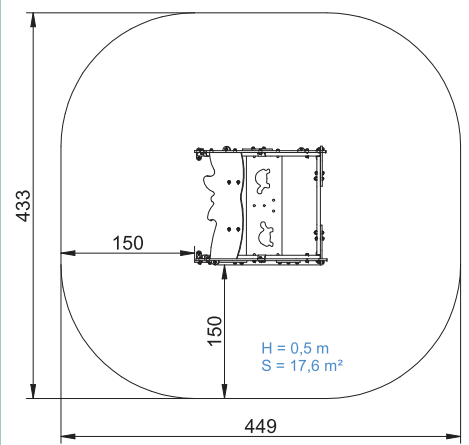
FAC08T



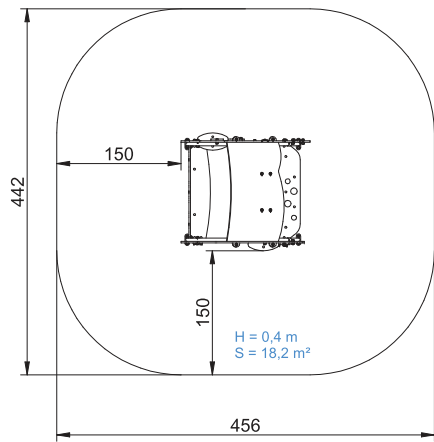
FAC09T



FAC12



FAC13



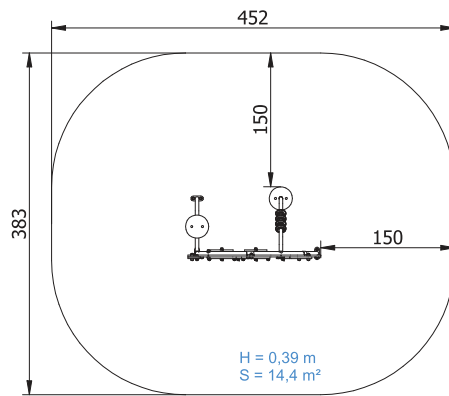
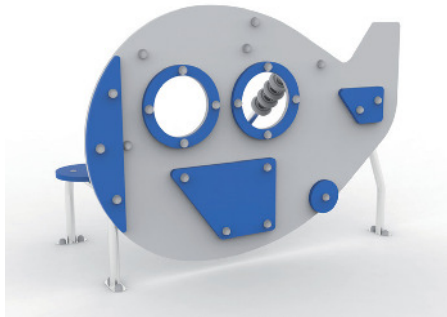
40 cm.

12 u.

1-4



FAC14



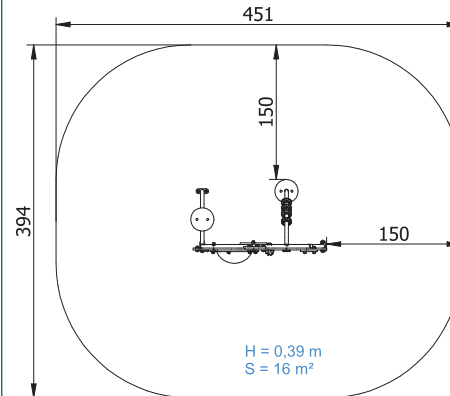
39 cm.

8 u.

1-4



FAC15



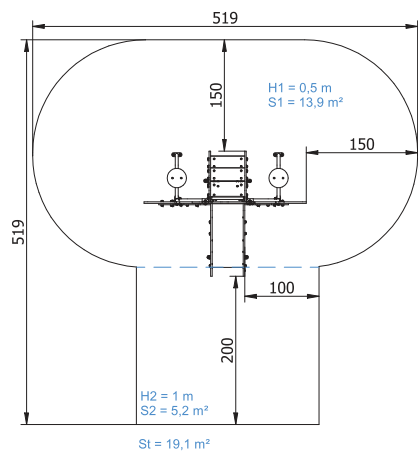
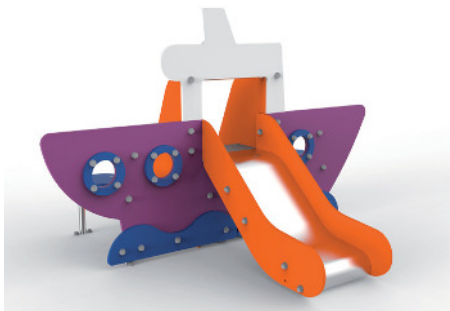
39 cm.

8 u.

1-4



FAC19



100 cm.



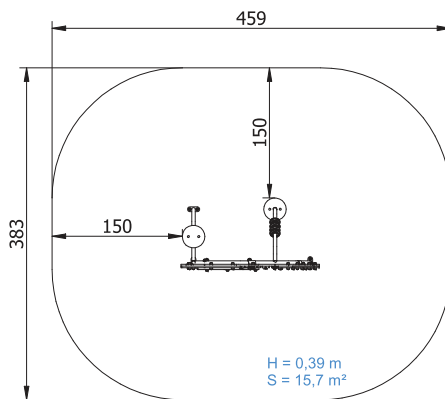
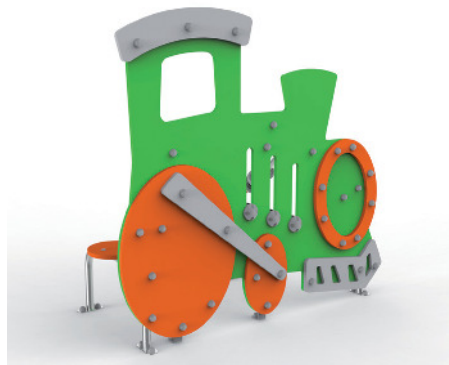
12 u.



1-4



FAC20



39 cm.



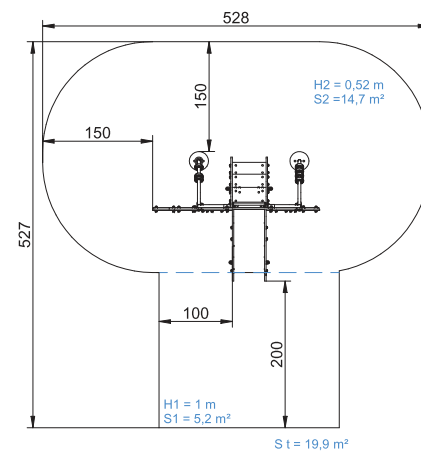
8 u.



1-4



FAC21



100 cm.



12 u.

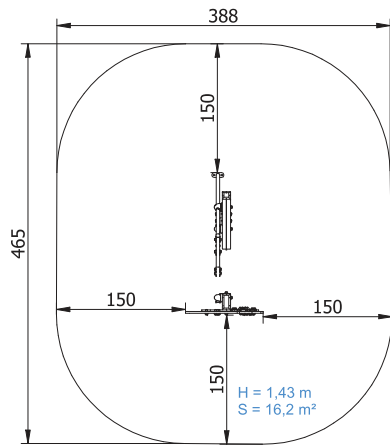


1-4





FAC22



142 cm.



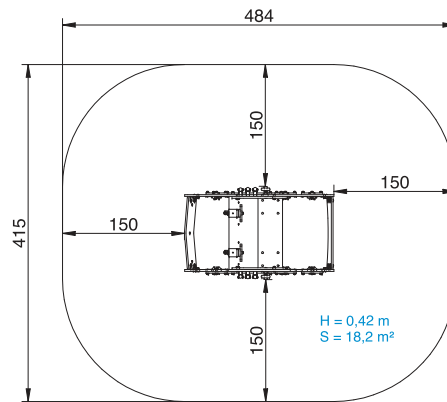
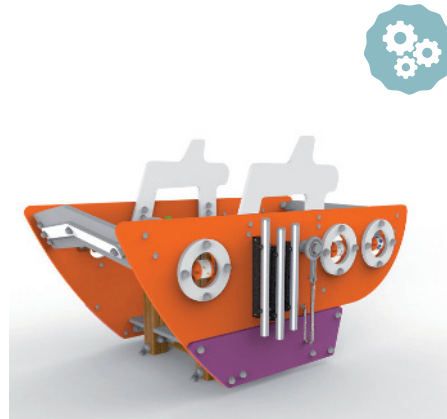
4 u.



1-4



FAC23T



42 cm.



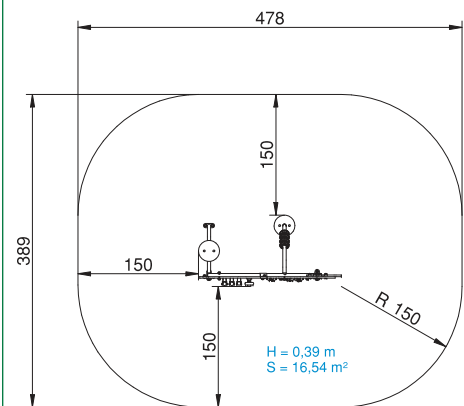
12 u.



1-4



FAC24



39 cm.



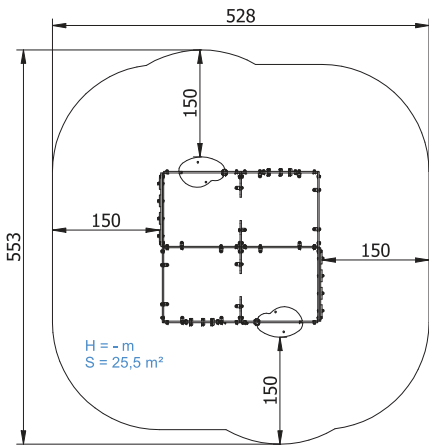
8 u.



2-6



PEZ01



-



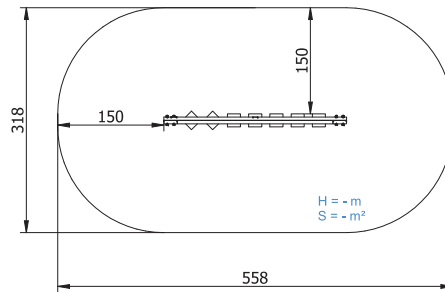
8 u.



1-4



PUZZ



-



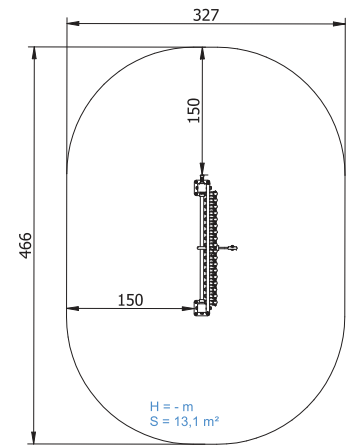
2 u.



5-16



XIL



-



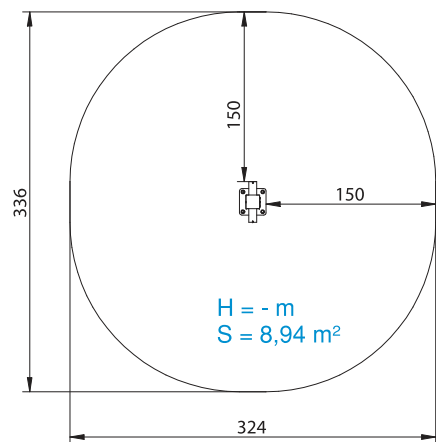
1 u.



+ 5



# A100M



-



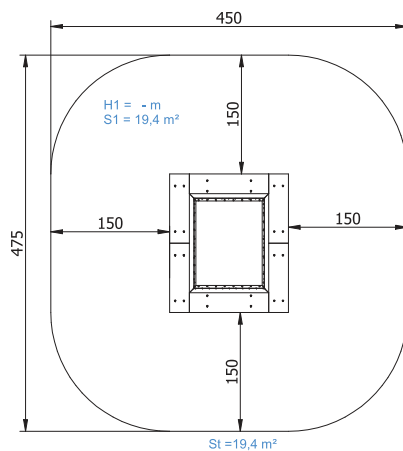
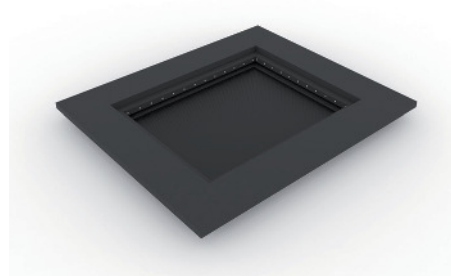
1 u.



4-14



# B05



-



4 u.

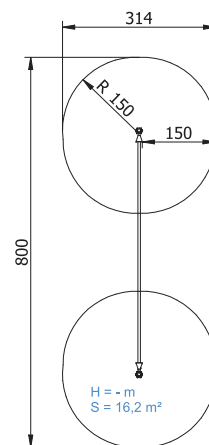


4-14



Consultar / Check / Consulter  
/ Consultare / Aanvragen

# TLF\_5M



-



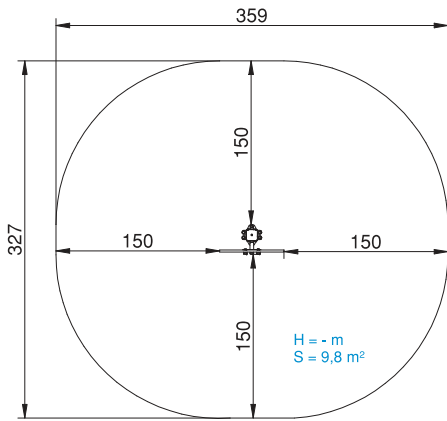
2 u.



+ 3



PAC006



-



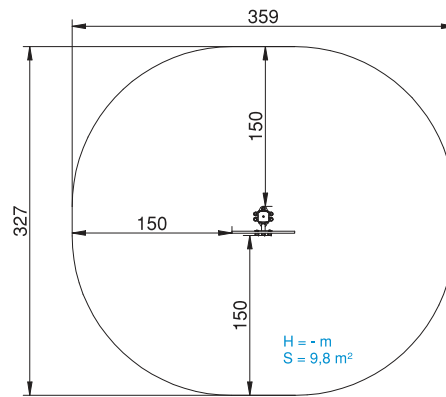
1 u.



2-10



PAC012



-



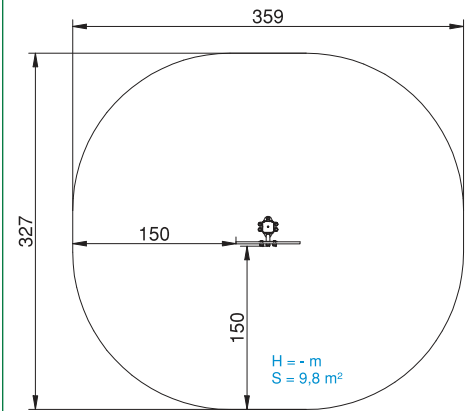
1 u.



2-10



PAC013



-



1 u.

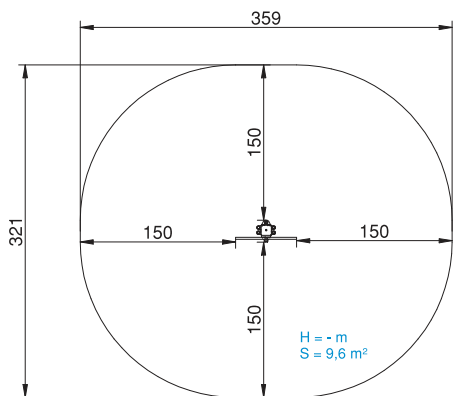


2-10





PAC014



-



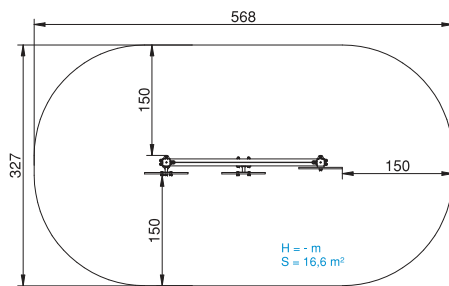
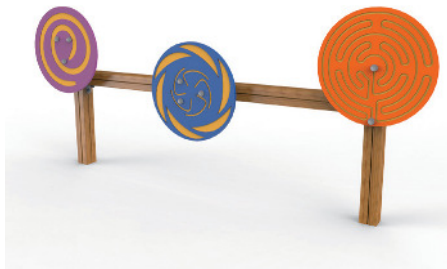
1 u.



2-10



PAC015



-



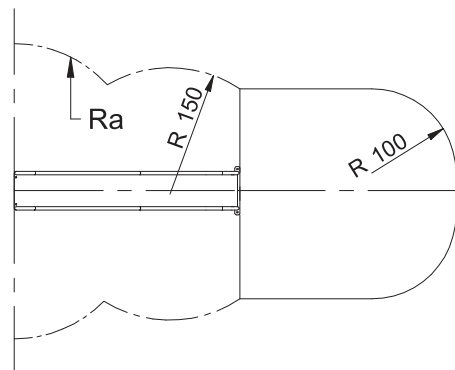
3 u.



2-10



TOB-INOX\_1000, 1400, 1850, 3000



100 cm.



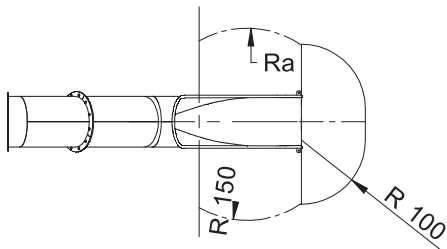
2 u.



4-14



TIC\_3,25, TIC\_1,9



100 cm.



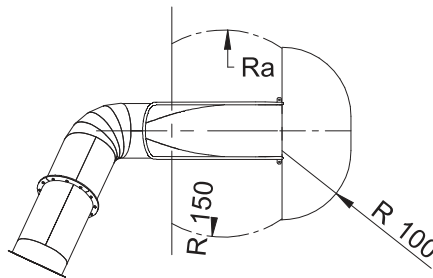
2 u.



4-14



TIC\_3,25\_DE, TIC\_1,9\_DE



100 cm.



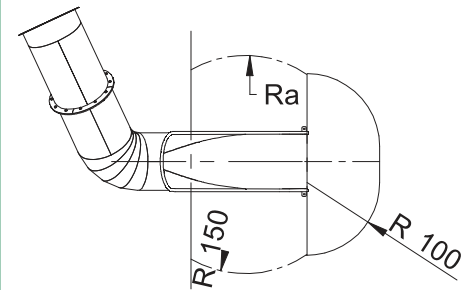
2 u.



4-14



TIC\_3,25\_IZ, TIC\_1,9\_IZ



100 cm.



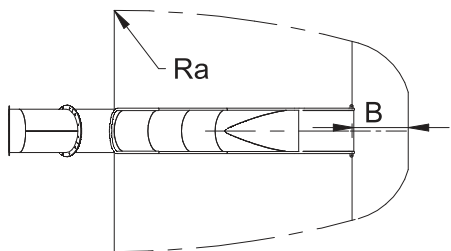
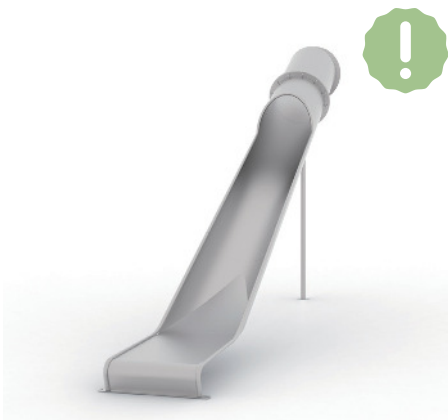
2 u.



4-14



TTI\_3,25



100 cm.



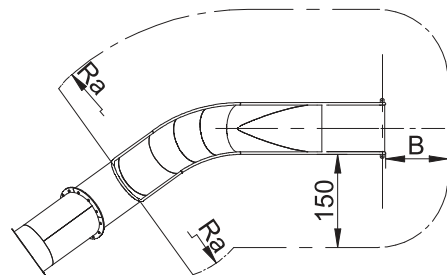
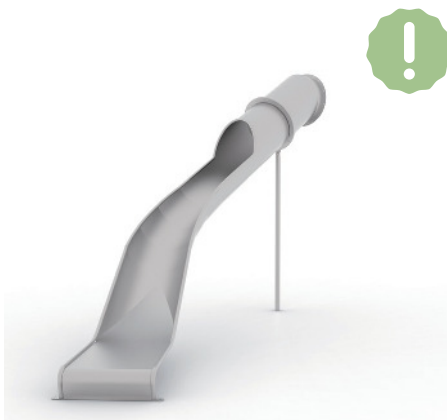
2 u.



4-14



TTI\_3,25\_DE, TTI\_1,9\_DE



100 cm.



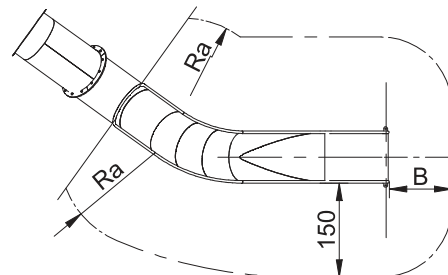
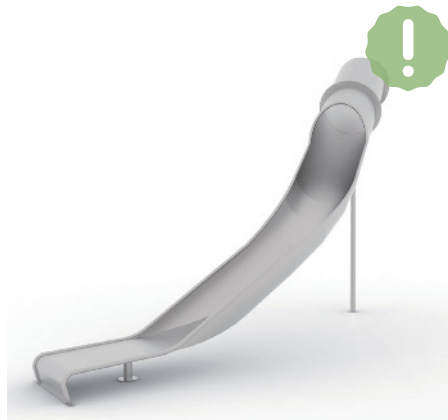
2 u.



4-14



TTI\_3,25\_IZ, TTI\_1,9\_IZ



100 cm.



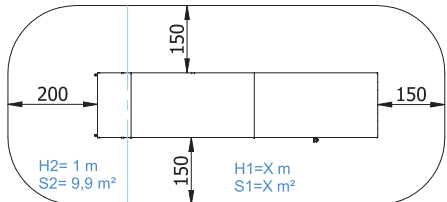
2 u.



4-14



TOB01



100 cm.



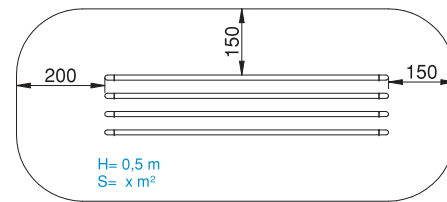
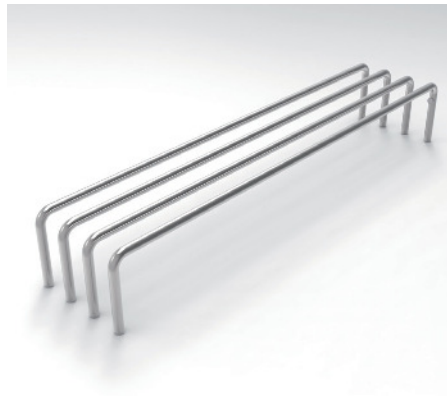
12 u.



4-14



TOB REC



51 cm.



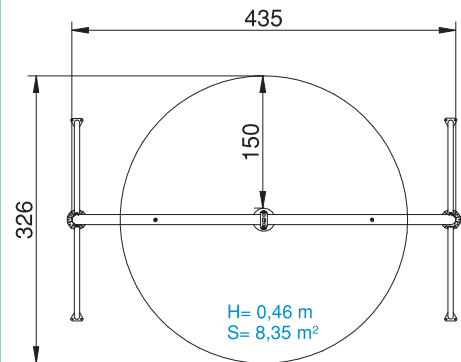
6 u.



4-14



L19



46 cm.



1 u.

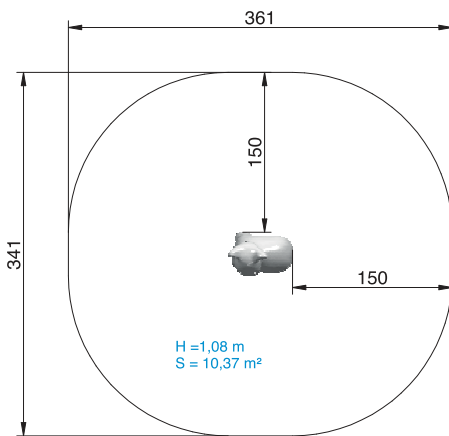


3-14





CM03



108 cm.



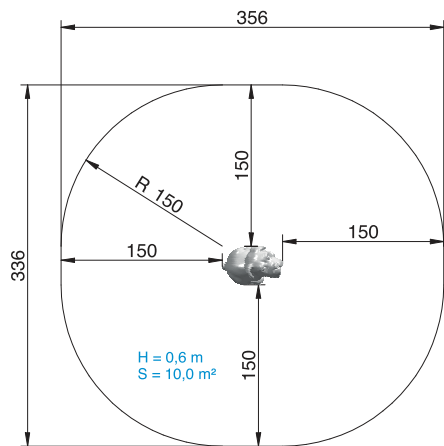
2 u.



0-3



CM04



60 cm.



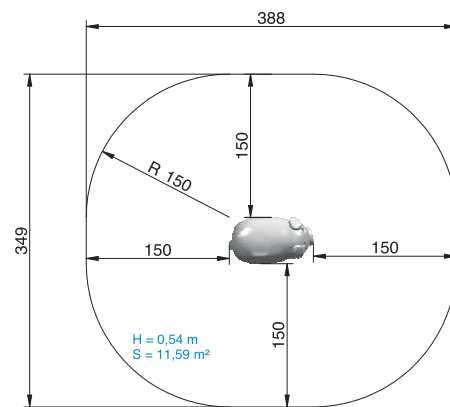
2 u.



0-3



CM05



54 cm.



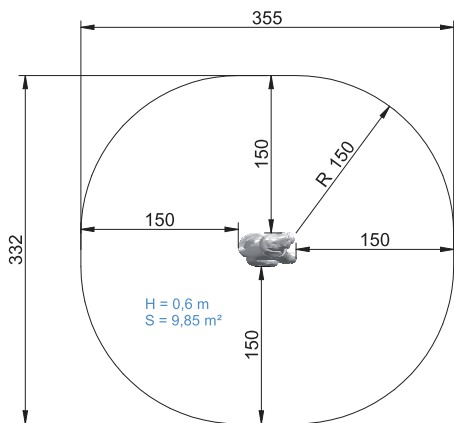
2 u.



0-3



CM06



60 cm.



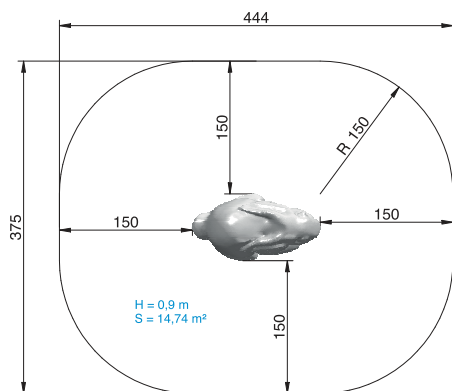
2 u.



0-3



CM07



90 cm.



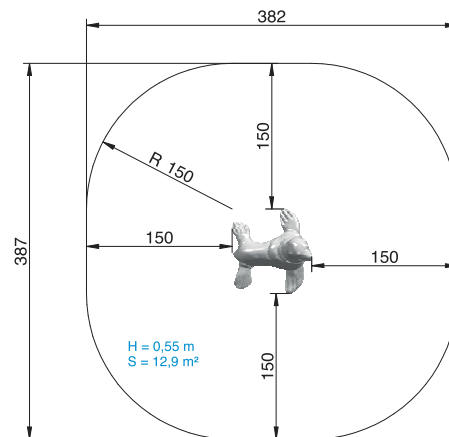
2 u.



0-3



CM08



55 cm.



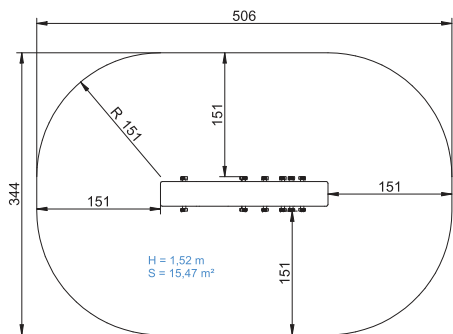
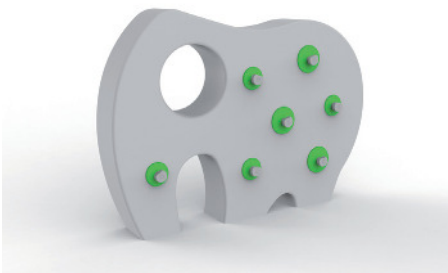
2 u.



0-3



CM01



152 cm.



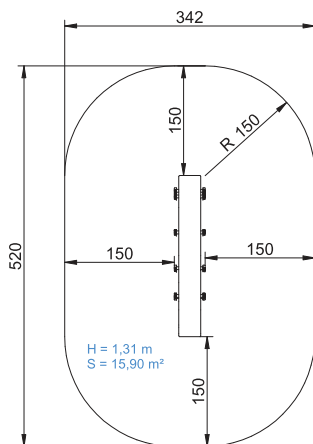
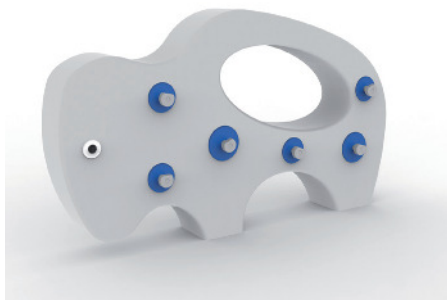
6 u.



4-8



CM02



131 cm.



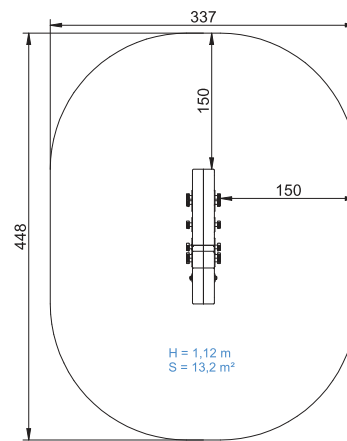
6 u.



4-8



CM09



116 cm.



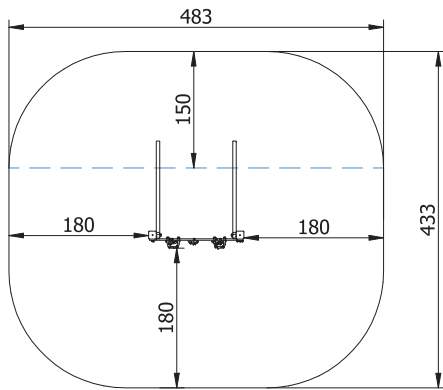
6 u.



4-8



CDE14



H = 1,95 m  
S = 19,8 m<sup>2</sup>



195 cm.



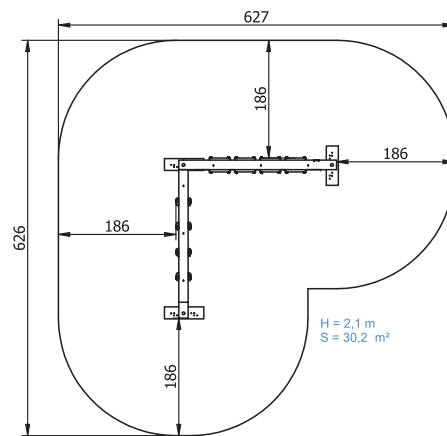
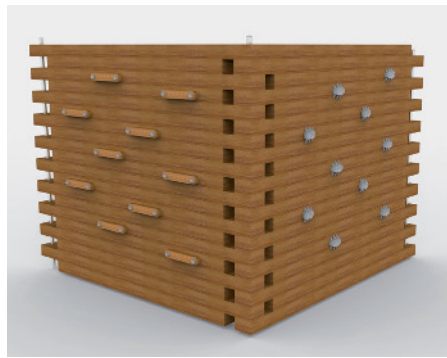
1 u.



4-14



DROMO



H = 2,1 m  
S = 30,2 m<sup>2</sup>



204 cm.



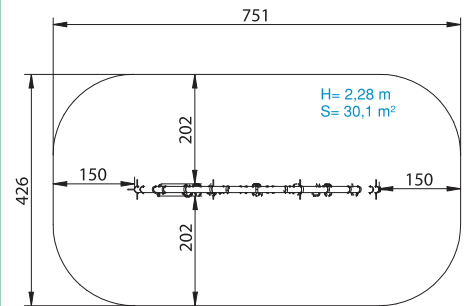
4 u.



5-14



R1



H = 2,28 m  
S = 30,1 m<sup>2</sup>



228 cm.



8 u.

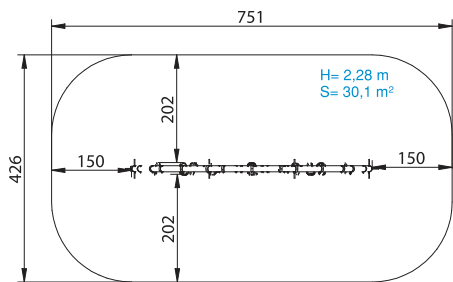


4-14





R3



228 cm.



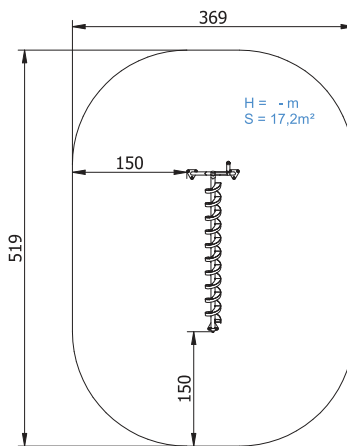
8 u.



4-14



TORARQ



-



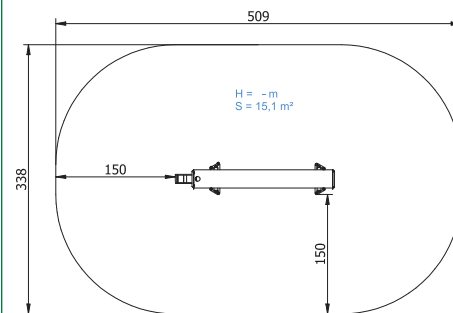
3 u.



2-6



MOLAGUA



-



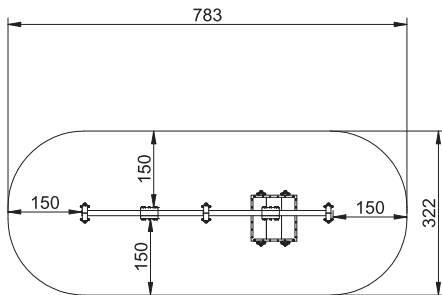
5 u.



2-6



RA02



H = 0,42 m  
S = 23,3 m<sup>2</sup>



42 cm.



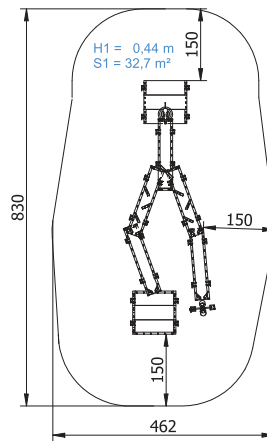
2 u.



2-8



AQUA01



H1 = 0,44 m  
S1 = 32,7 m<sup>2</sup>



44 cm.



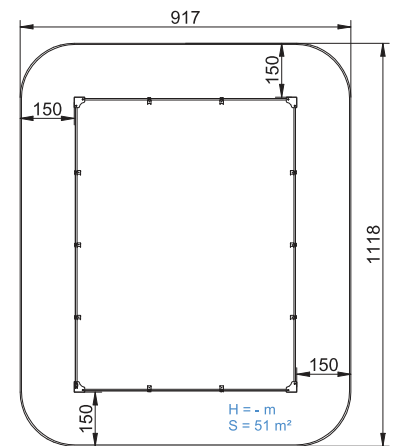
5 u.



2-8



F100A



H = - m  
S = 51 m<sup>2</sup>



-



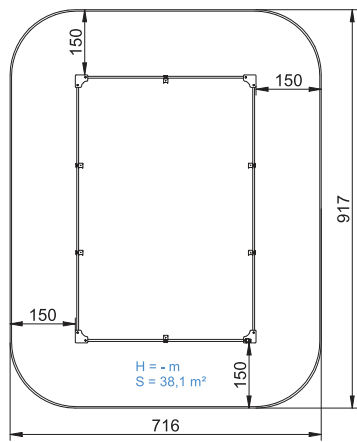
10 u.



2-6



F100B



-



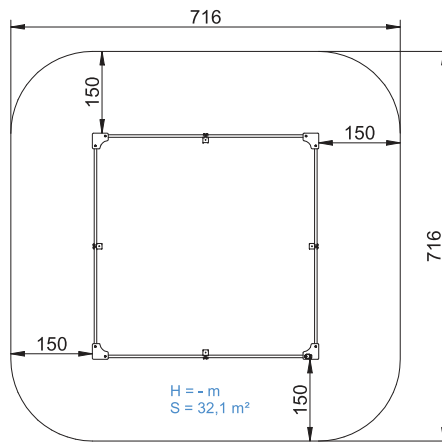
8 u.



2-6



F100C



-



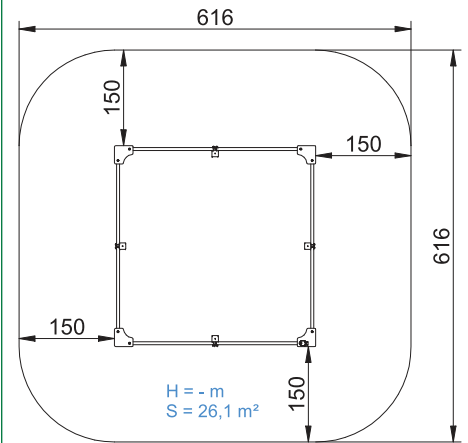
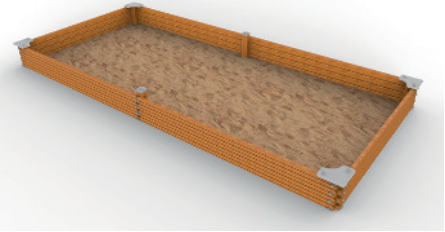
6 u.



2-6



F100D



-



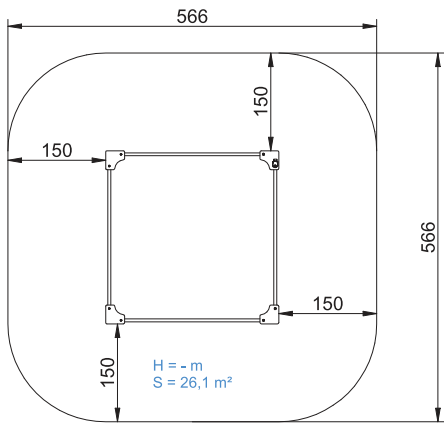
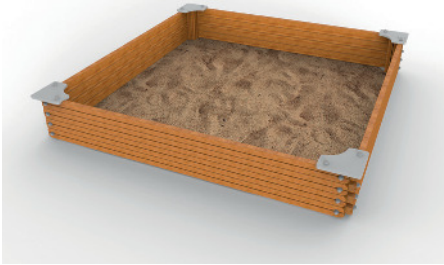
3 u.



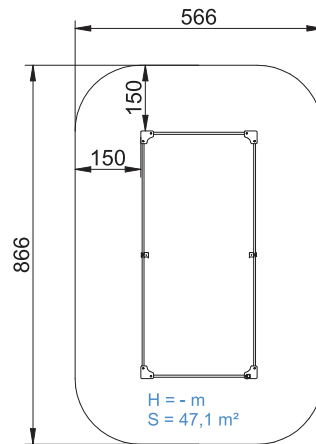
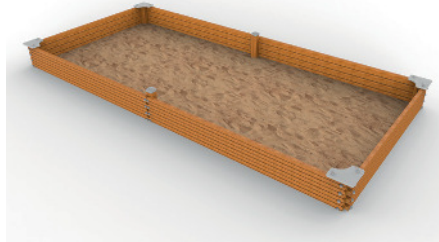
2-6



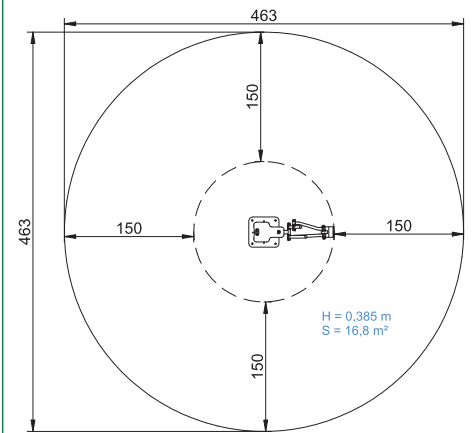
F100E



F100G

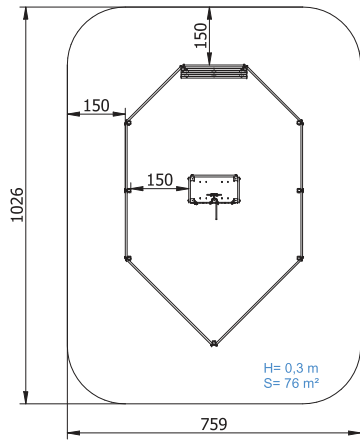


F310





F500



30 cm.



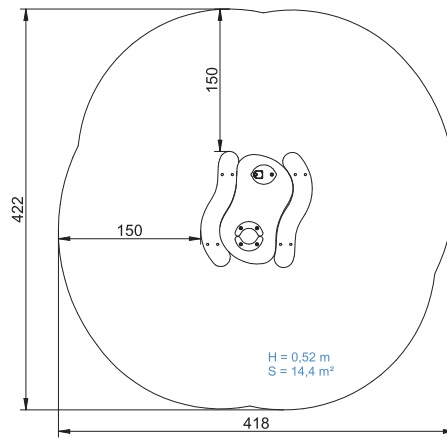
8 u.



2-6



F202A\_P



52 cm.



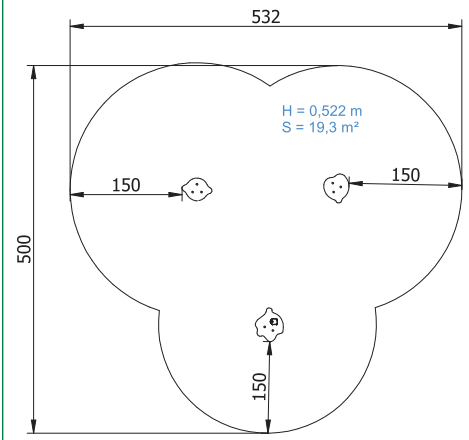
4 u.



2-6



F101A\_P



52 cm.



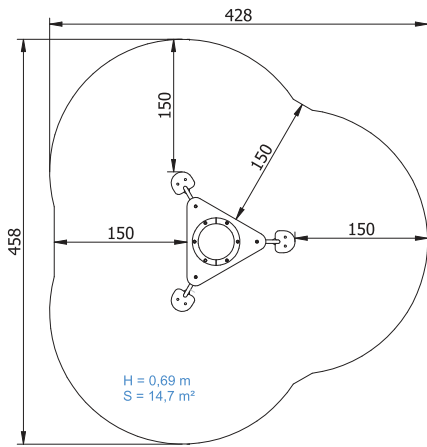
3 u.



2-6



F313



69 cm.



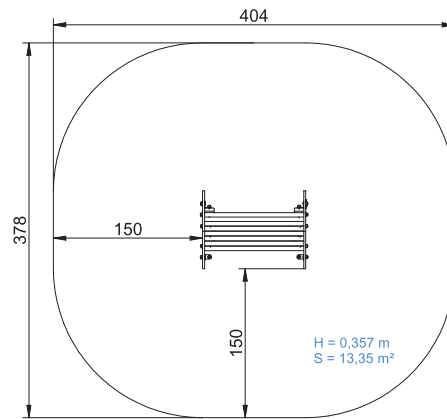
3 u.



2-6



F201A\_P



36 cm.



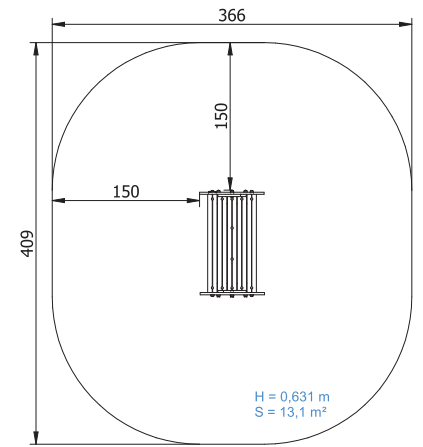
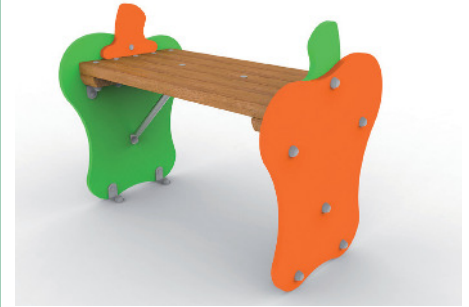
3 u.



2-6



F201B\_P



63 cm.



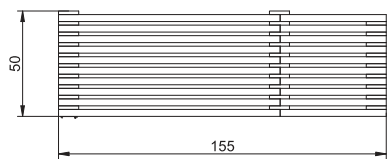
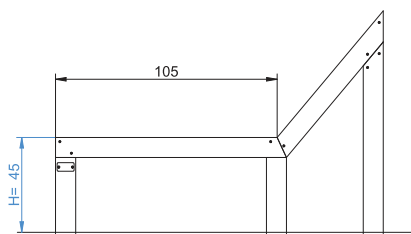
3 u.



2-6



AS01



45 cm.



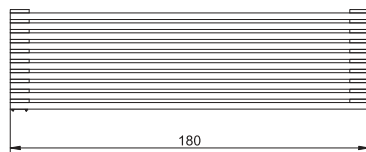
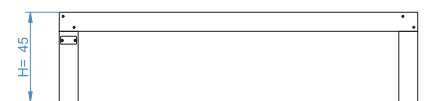
1 u.



-



AS02



45 cm.



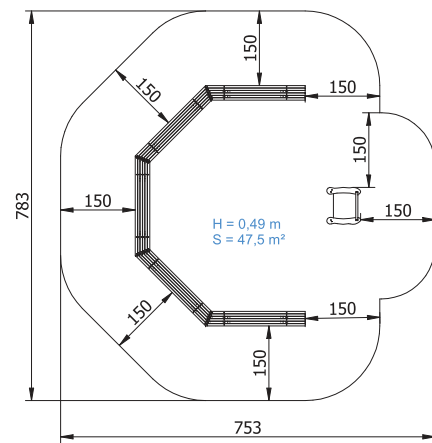
3 u.



-



AS03



49 cm.



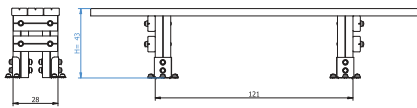
16 u.



-



## ASBUBU



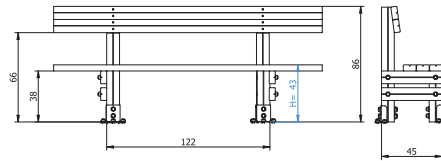
43 cm.

3 u.

-



## BABUBU



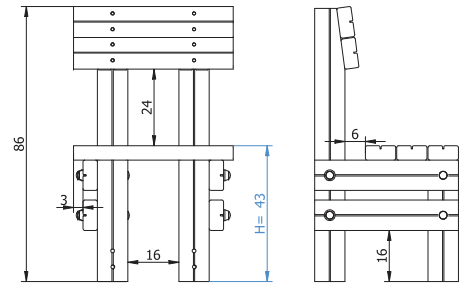
43 cm.

3 u.

-



## SIBUBU



43 cm.

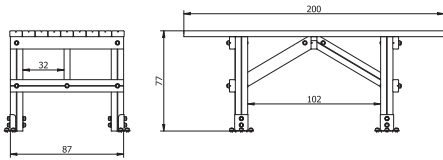
1 u.

-





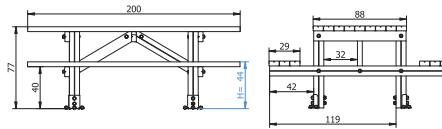
## MEBUBUSE



4 u.



## MEBUBU

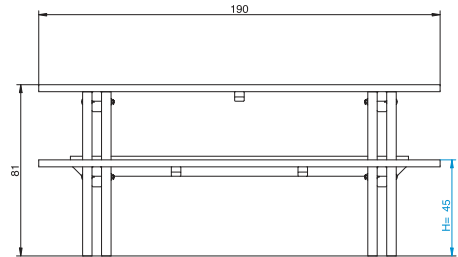


44 cm.

4 u.



## MC001

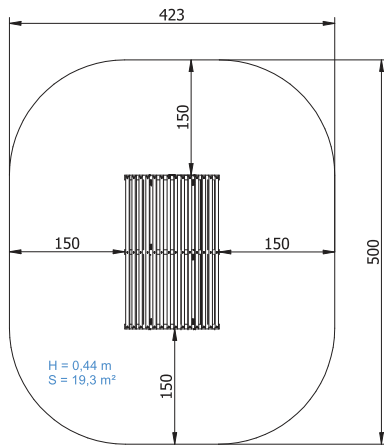


45 cm.

4 u.



## ONDCEN



44 cm.



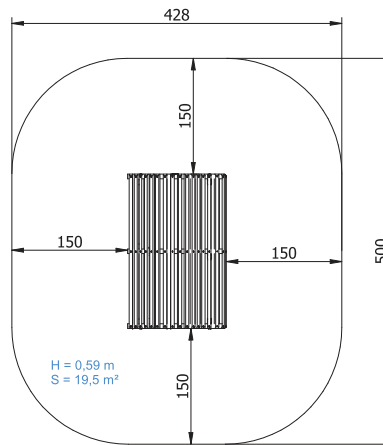
2 u.



-



## ONDCOR



59 cm.



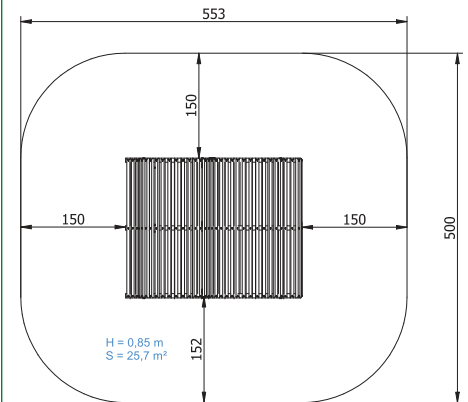
2 u.



-



## ONDLAR



85 cm.



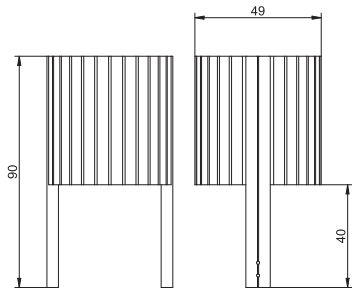
4 u.



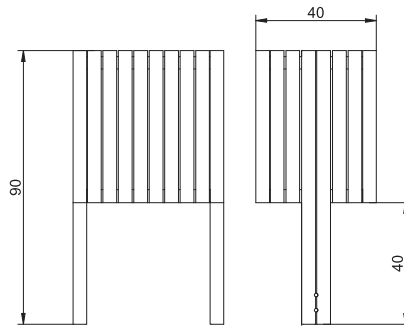
-



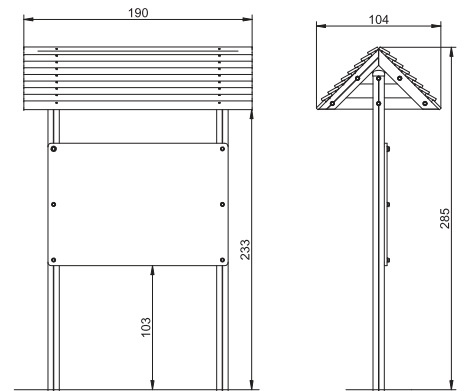
## CILIX



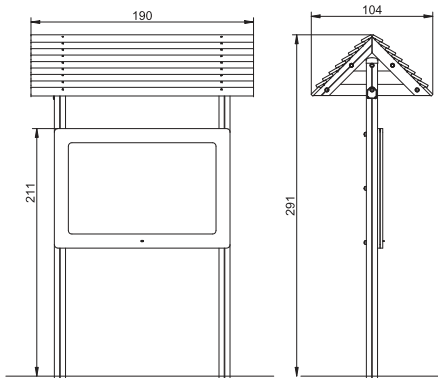
## RELIX



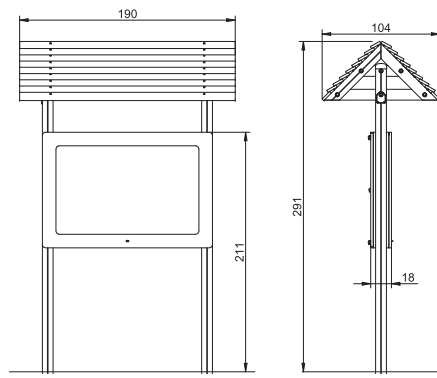
## CASETE



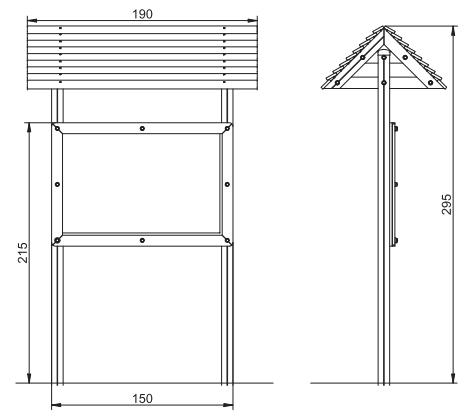
## CASETEABI



## CASETEABIDOBLE

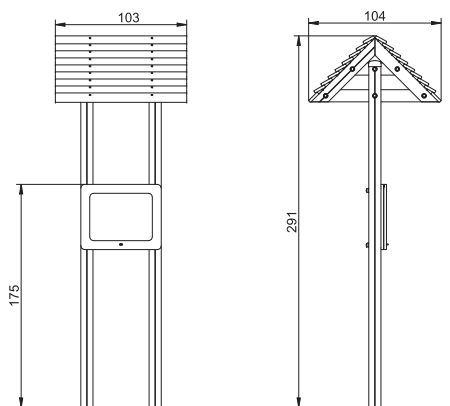


## CASETEVI

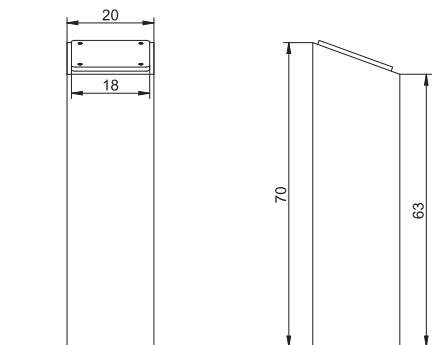
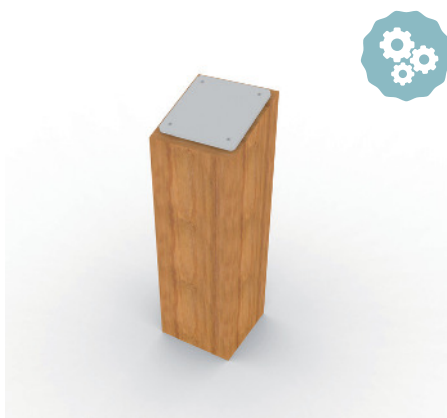




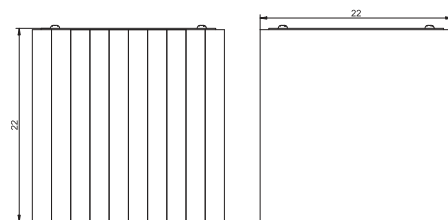
## CASETEPEABI



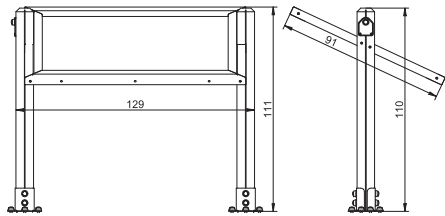
## CASEATCHA



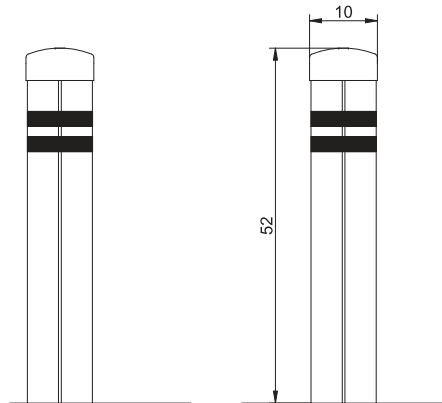
## CASECUCHA



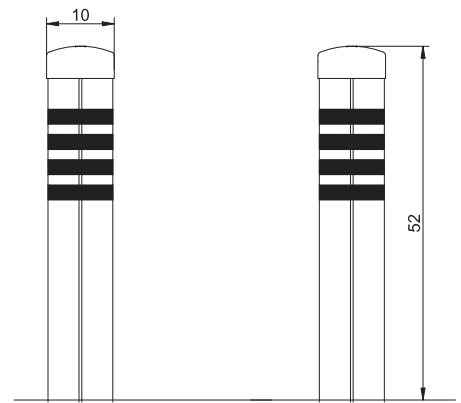
## CAMEIN



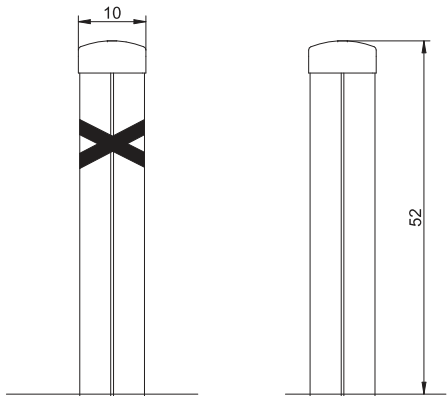
## CASEPI



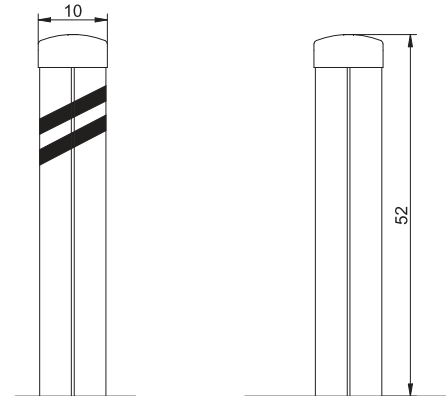
## CASEPICAM



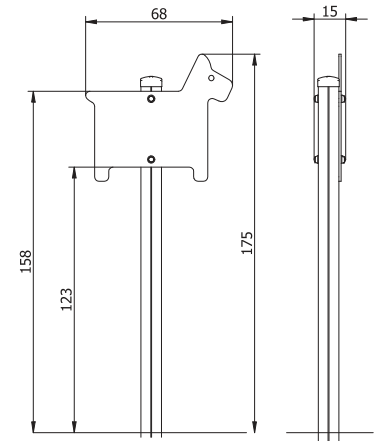
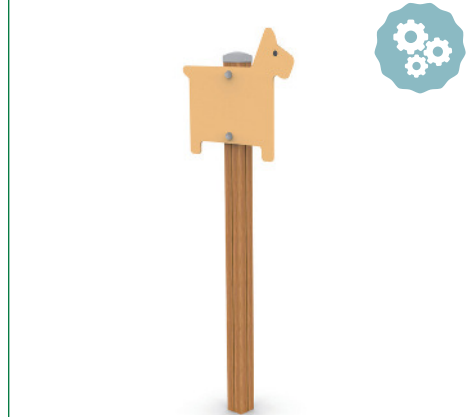
CASEPICRU



CASEPIGI

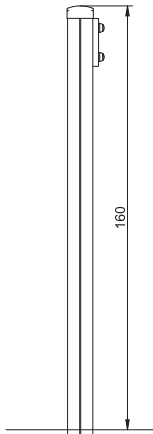
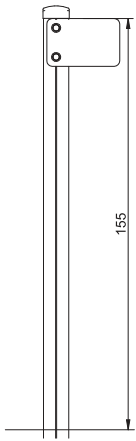


CP09

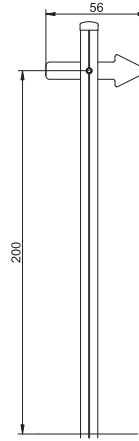
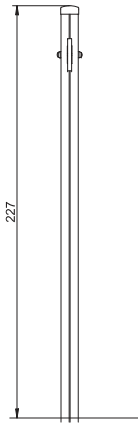




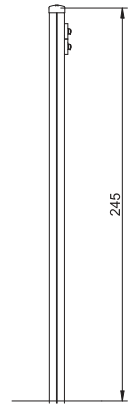
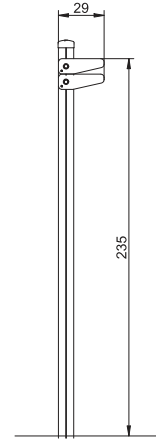
### CASEBA



### CASEFLE

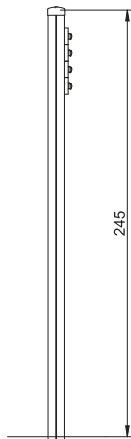
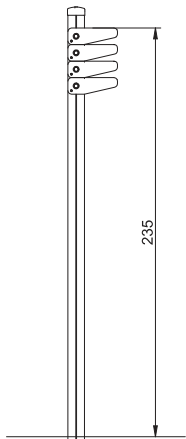


### CASELA

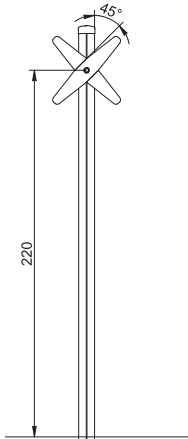




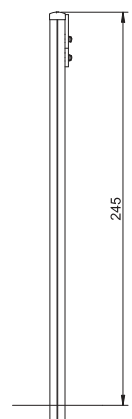
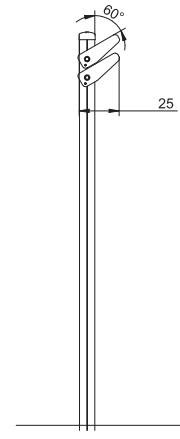
## CASELACAM



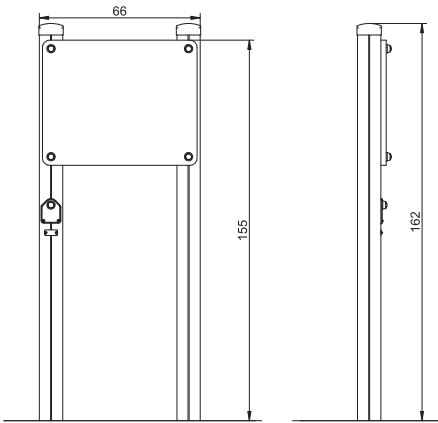
## CASELACRU



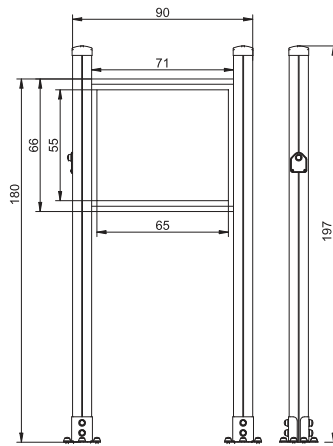
## CASELAGI



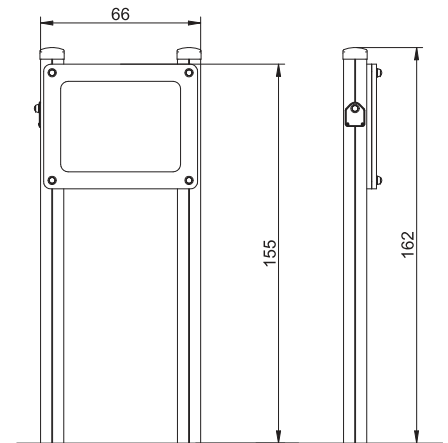
## CASEPA



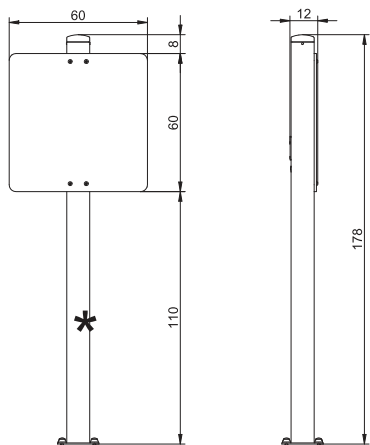
## CASEALU



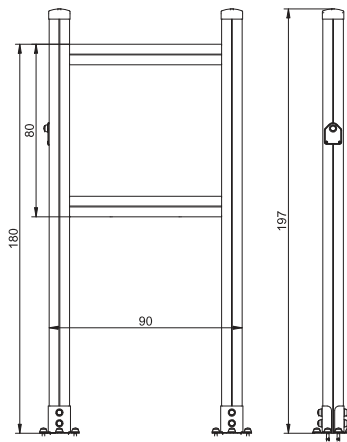
## CDE01\_P



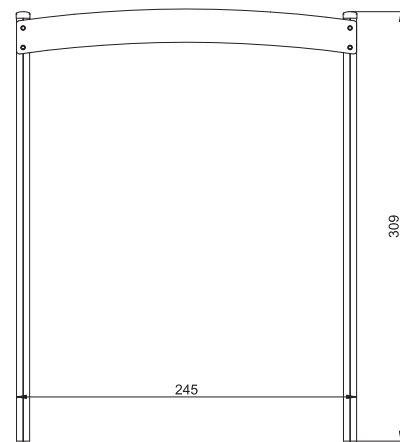
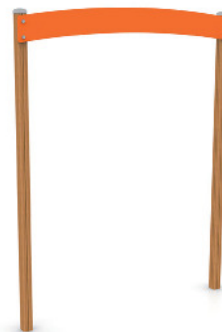
## CAMOPO



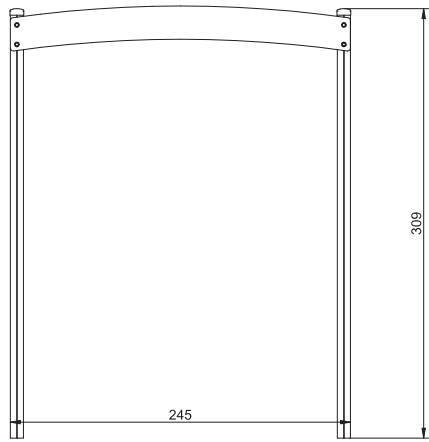
## CASEPO



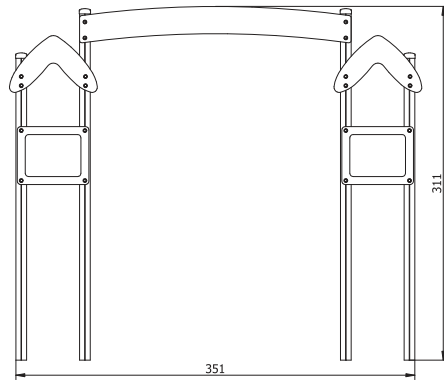
## V03\_P



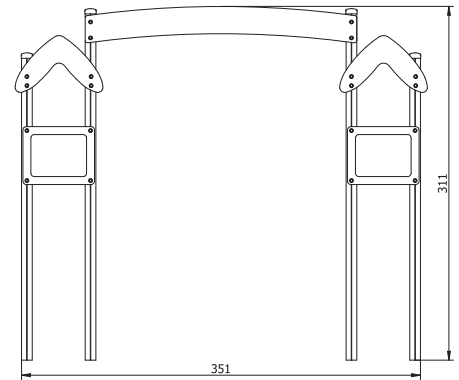
V03-N



V06\_P

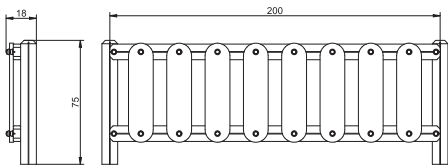


V06-N\_P

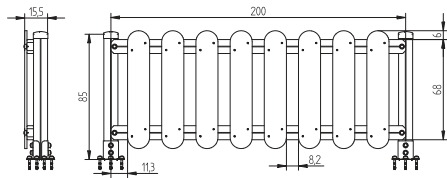




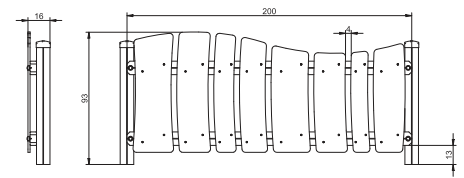
V01C



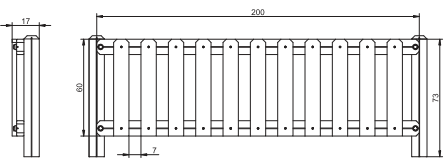
V01C\_P



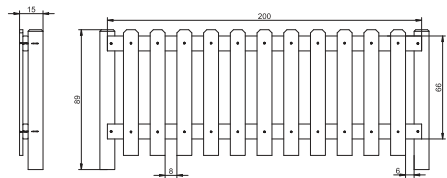
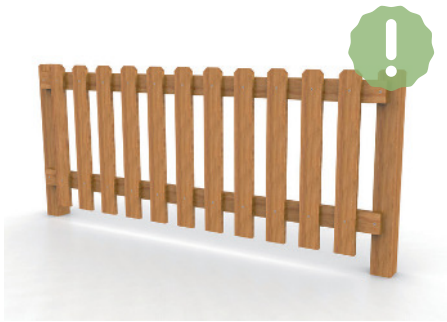
V01C\_P\_O



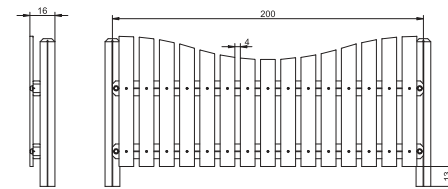
V02



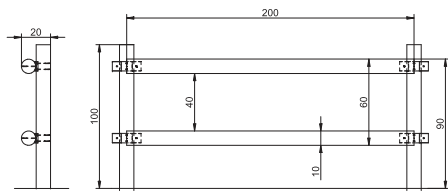
V02-N



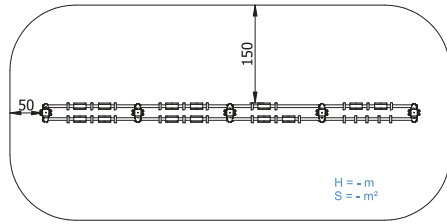
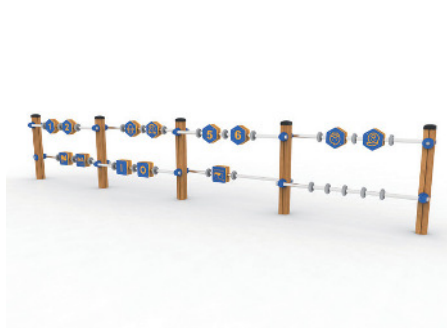
V02-O



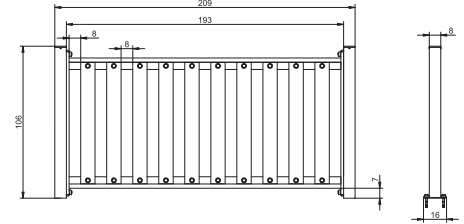
V02-T



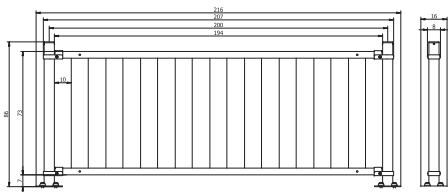
V09



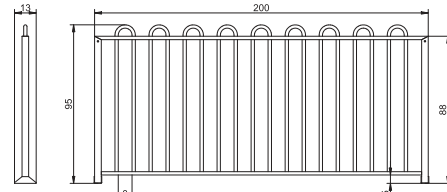
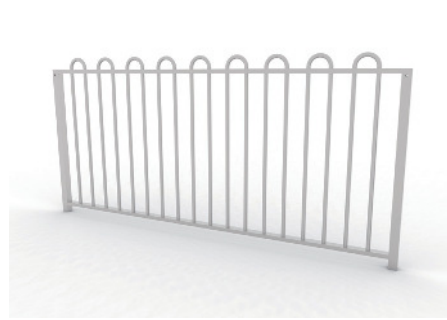
V07



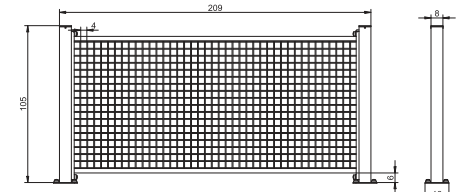
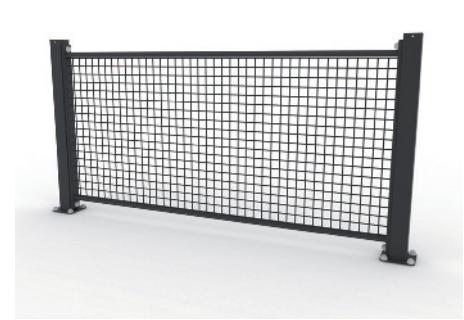
V15



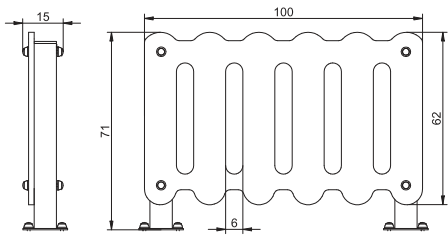
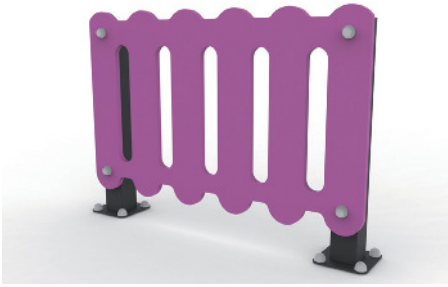
V04\_1



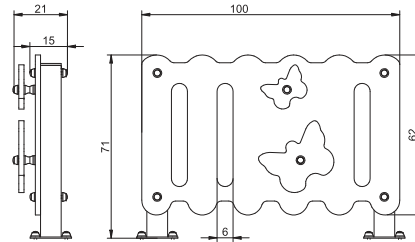
V05



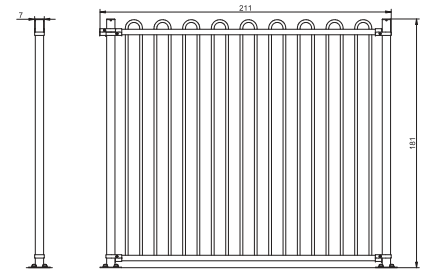
V08



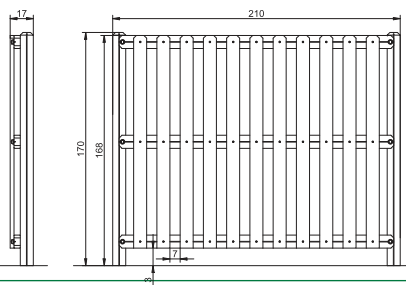
V08-G



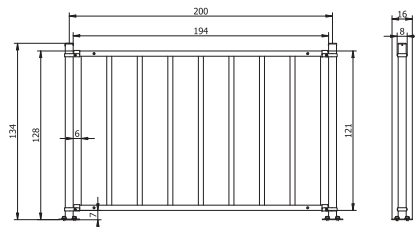
V11



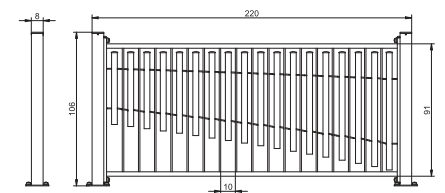
CP12



V16



VAM01














# Galopín





 Galopin offices  
Dealers and distributors

 **Galopin**  
playing dreams



[www.galopinplaygrounds.com](http://www.galopinplaygrounds.com)



You 



product 100%  
made in the EU

 **As Salgueiras**

