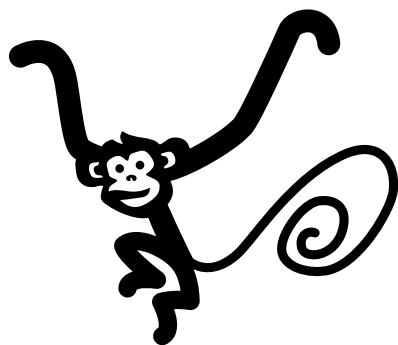




Tiptiptap Catalogue



ABOUT US

We are a company manufacturing products which support the daily physical exercise habits of children. Tiptiptap's playgrounds are more than just structures – every product embodies our goal of supporting child development through play and movement. We give children the chance to experience positive emotions that make childhood simply wonderful! Our products are the source of joy because We are the Institute of Fun!

Our products

We manufacture playgrounds which are developmental, safe and durable. Children find all our playgrounds attractive – it's up to the adults to choose the right product! We contribute to the improvement of various physical skills of children because an environment supporting the inherent need to move ensures the necessary physical load and development. Tiptiptap's playgrounds consist of various items which allow designing an unlimited number of diverse playgrounds. Our products are TÜV certified and meet the requirements of the standard EN 1176:2008.

Target groups

Joy of playing is not age-related – that's how we know why adults are also fond of Tiptiptap's playgrounds although they are designed for children! Clear and pure colours attract attention and exciting structures allow children testing their limits safely – with physical effort supporting development – and it makes them feel good every time they manage to exceed their limits! Our playgrounds put a sparkle in the children's eyes regardless of location, time or age. A smart choice with a lot of joy!

Why choose our products

Since 2004, Tiptiptap has grown hand in hand with the dreams and wishes of children. We know what children expect and customers need. We put safety first – that's why all our products are tested and certified and meet the standards (for detailed information and the applicable certificates, see our website www.tiptiptap.ee).

Tiptiptap's playgrounds are made of durable and modern materials and all finishing solutions are free of toxins. The range of materials includes mostly glue-laminated timber, plastic coated plywood, UV proof plastic, aluminium, and stainless steel. All our products enjoy a warranty period of at least 2 years.

We always respond to queries from our customers. And we are always there to help and guide from planning of the playground area and choosing the appropriate products to determining the optimal layout of structures and providing playground maintenance.

We help the children's dreams come true!

Tiptiptap OÜ

We are the Institute of Fun!

TABLE OF CONTENTS



NEW! AMAZON	5
NEW! NATURE WORLD	19
<i>Water World range</i>	22
<i>Forest World range</i>	28
<i>Pirate World range</i>	34
NEW! ZODIAC	41
MULTI ACTIVITY EQUIPMENT	53
NEW! Activity panels	57
NEW! Seasons - 4 different colour options	58
CLIMBING FRAMES	107
SWINGS	121
SPRING SWINGS AND SEE-SAWS	133
THEME PLAY	145
SANDBOXES	167
CAROUSELS	177
BALANCING AND EXERCISE	185
SPORT EQUIPMENT	199
OUTDOOR FURNITURE	209
ACCESSORIES	223

LEGEND



height of structure



width of structure



length of structure



max. fall height



recommended age of users



for simultaneous use by several children



wheelchair access



AMAZON



NEW!

AMAZON RANGE

This product range inspired by the ornaments of nature people allows the children to embody brave little monkeys who fearlessly tackle new challenges. The Amazon adventure track develops the sense of balance and rhythm in children, enhances their stamina, and generates pure joy every time they manage to exceed their limits.

This range based on the folklore and ornaments of nature people fits both urban and rural environments adding value to every park and yard. Safe and durable climbing nets, walls and ladders as well as swings, slide tunnels and channels invite small adventurers to test themselves. An adventure track tailored to the specific surroundings can be assembled from the different products in the Amazon range according to the customer's request.

Amazon is suitable from the age of 4, but it can offer a multitude of activities to much older children as well.

Materials and installation: The Amazon range is made of durable laminated timber and it has been awarded the relevant quality certificates. Posts of laminated timber decorated with different ornaments are joined together using the innovative mortise joint. The cross-section of the posts is 100mm x 236mm and the nets between them are made of extremely durable 16mm steel rope designed for climbing which is coated with polyester and features plastic joints. The climbing wall with climbing rocks is made of waterproof birch plywood. The products are concreted to the ground using metal fittings. For the purpose of safety, it is recommended to use sand or rubber mats beneath the playground facilities.





AM004

8



AM005

10



AM011

13



AMK001

8



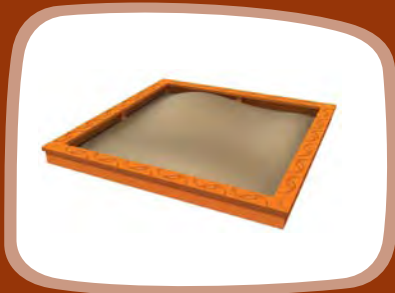
AM008

10



AM012

13



AML003

8



AM009

11



AM101

16



AM001

9



AM010

11



AM014

16



AM002

9



AM007

12



AM003

9

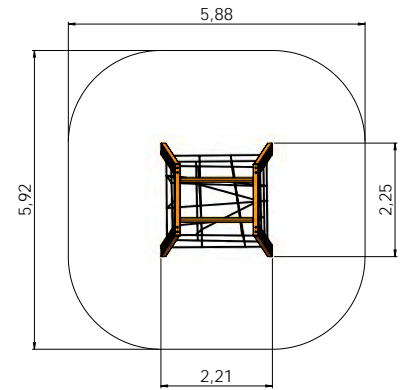
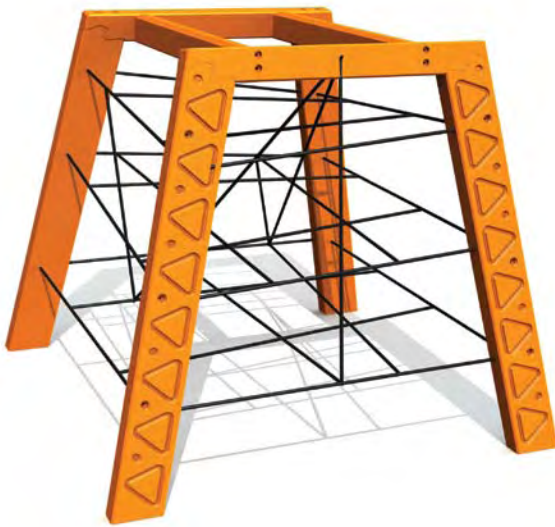


AM013

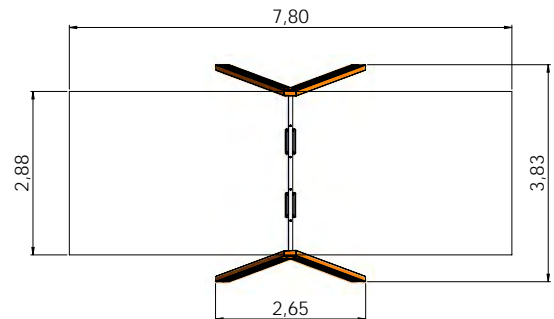
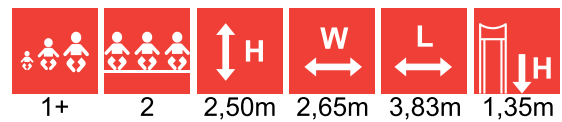
12

AMAZON

AM004

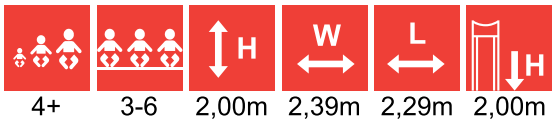


AMK001

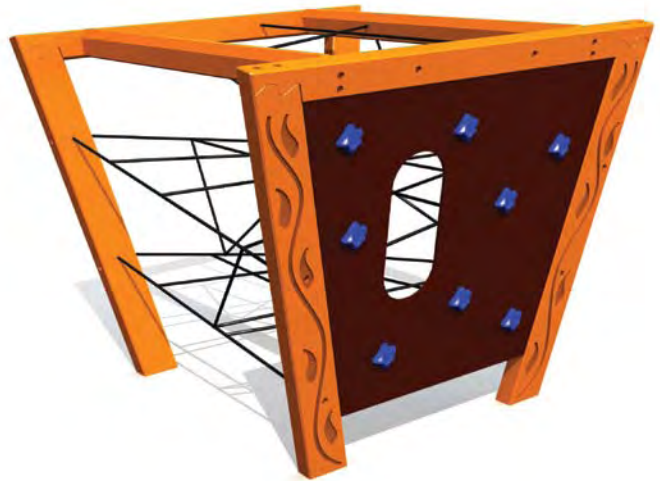
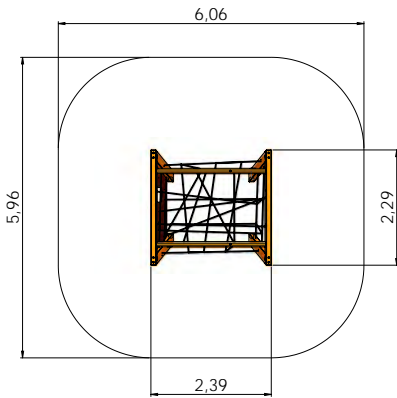


AML003

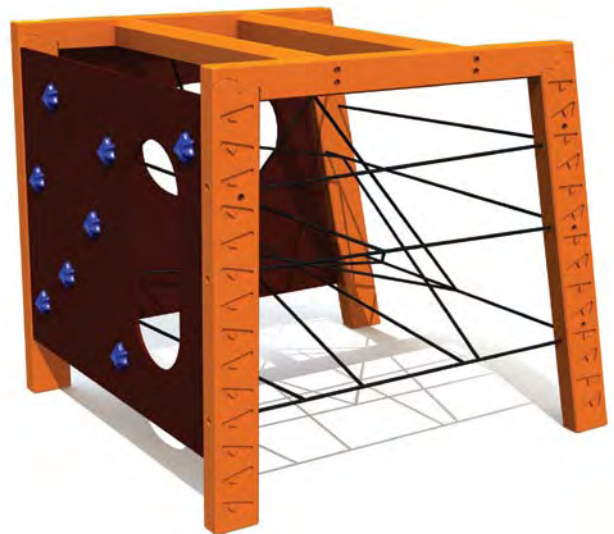
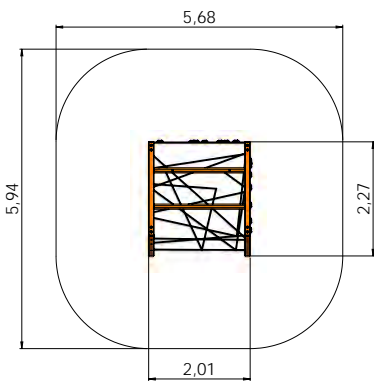




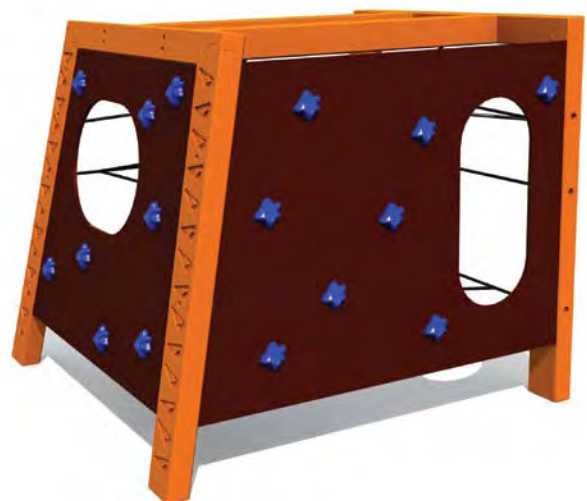
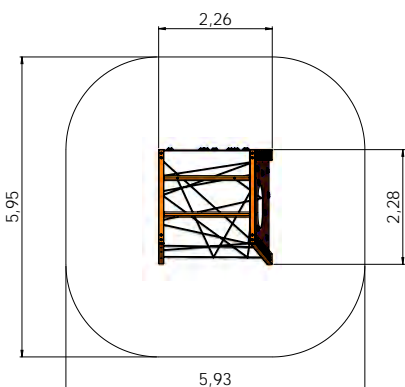
AM001



AM002

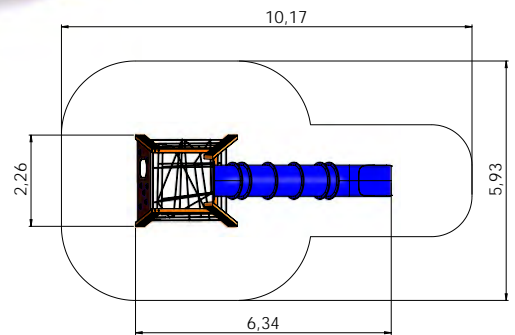
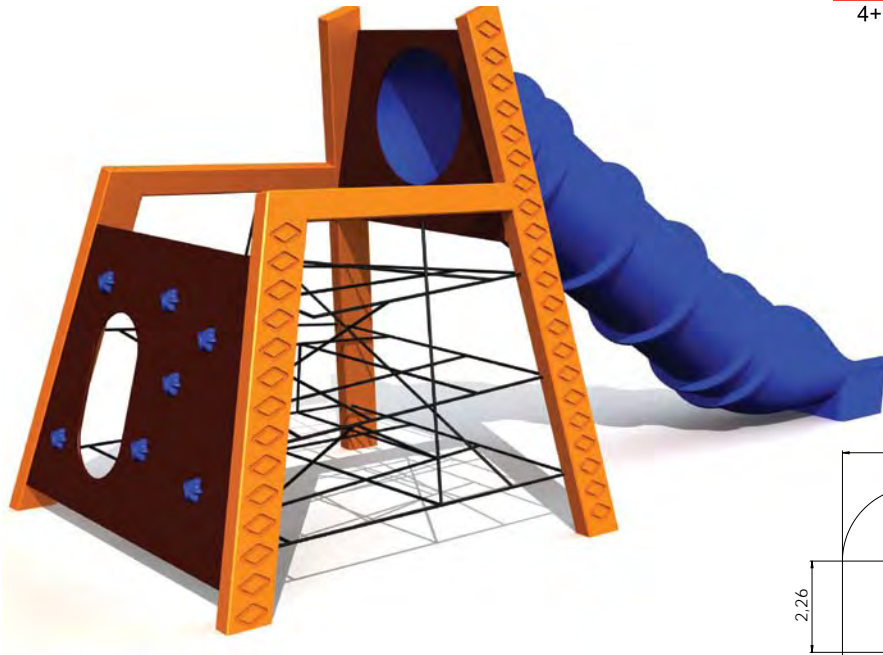
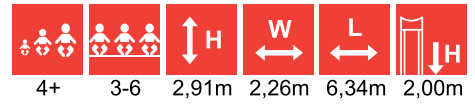


AM003

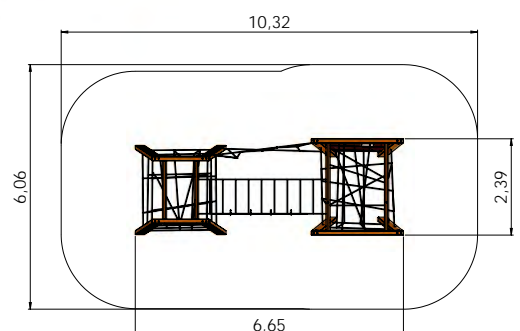
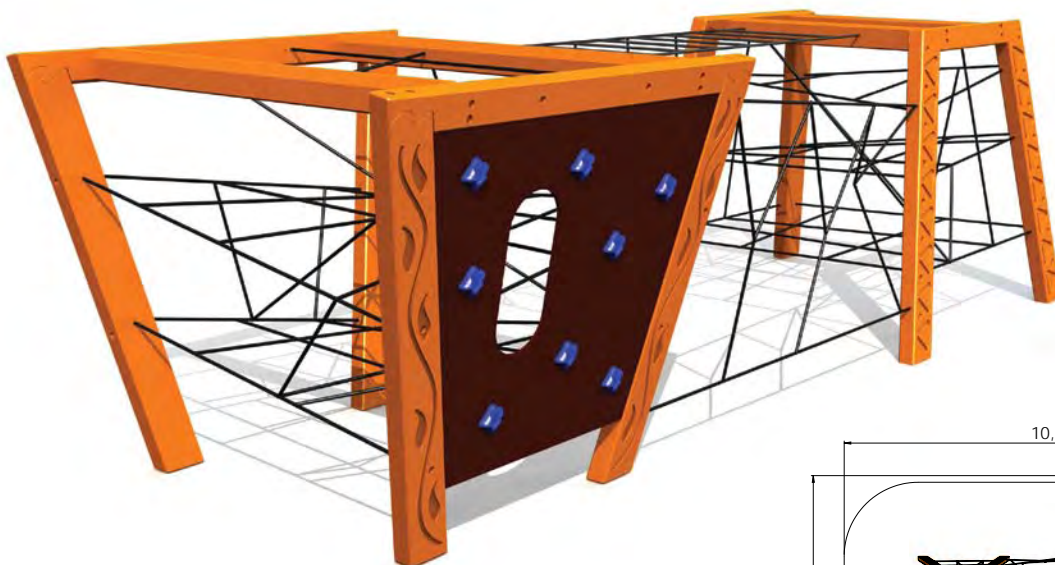


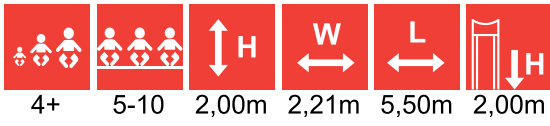
AMAZON

AM005

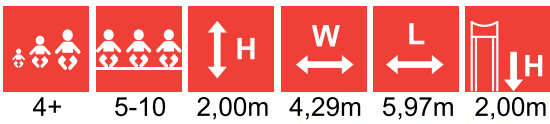
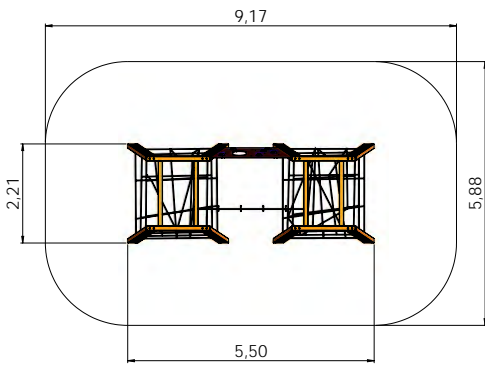
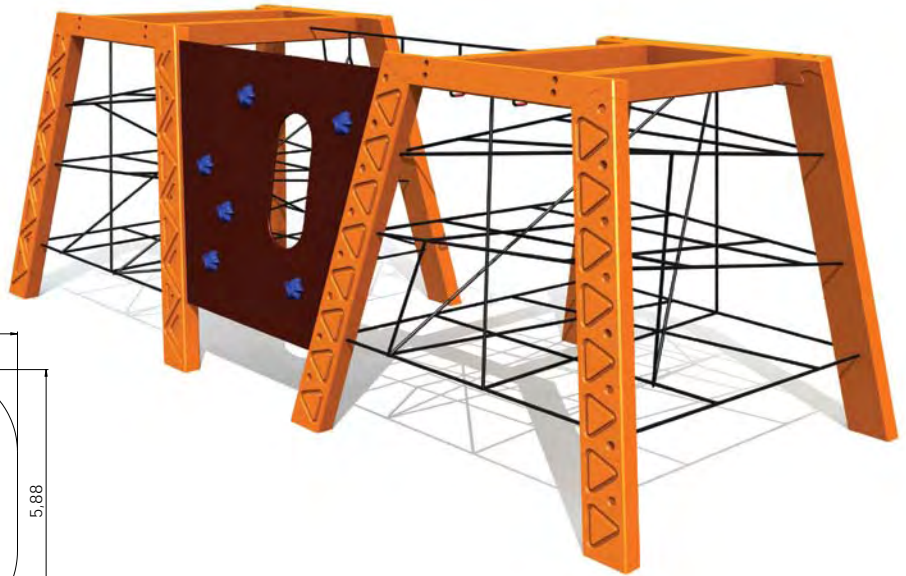


AM008

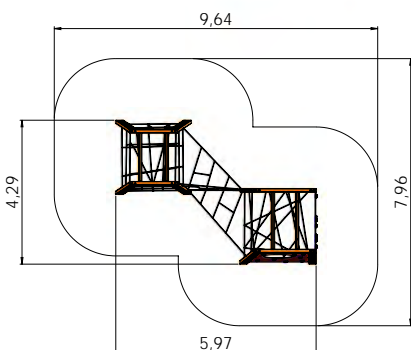
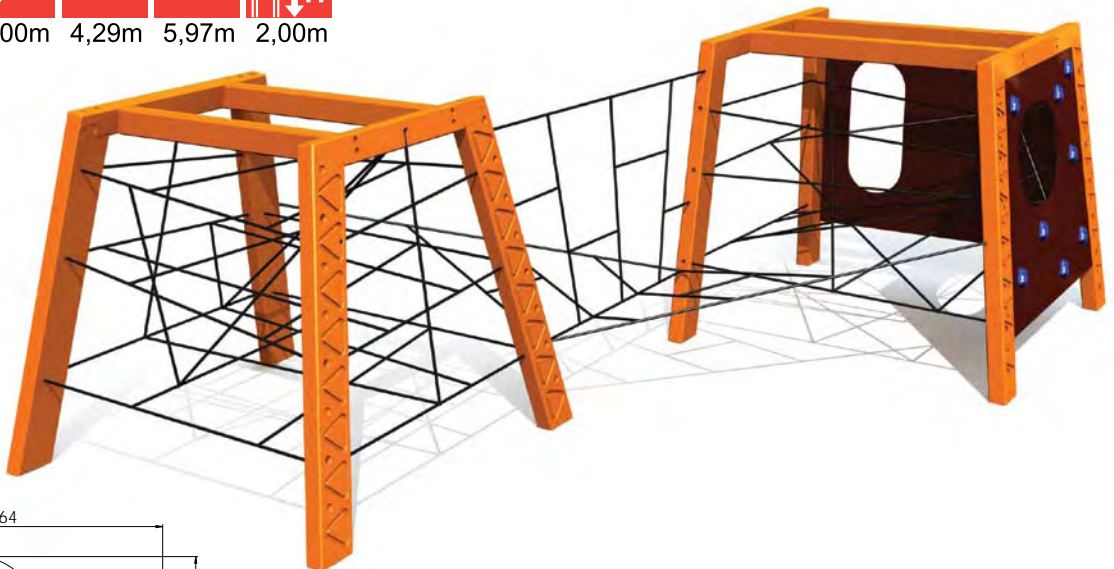




AM009

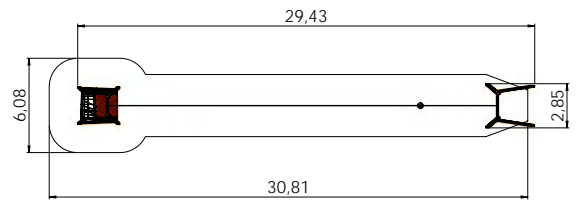
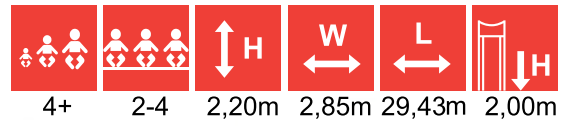


AM010



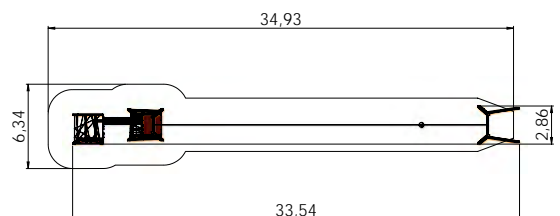
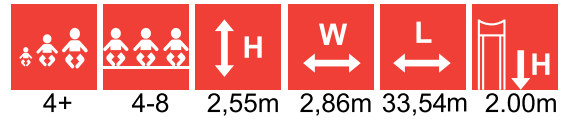
AMAZON

AM007



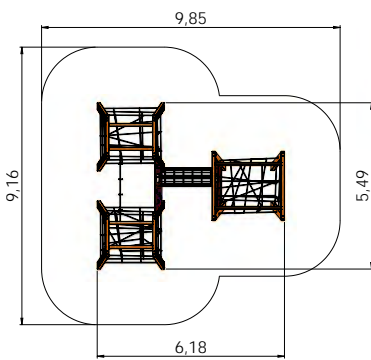
AM013

BESTSELLER

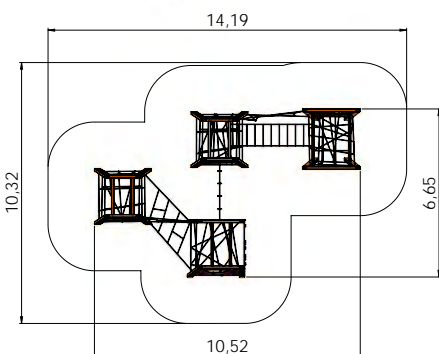




AM011



AM012



AMAZON





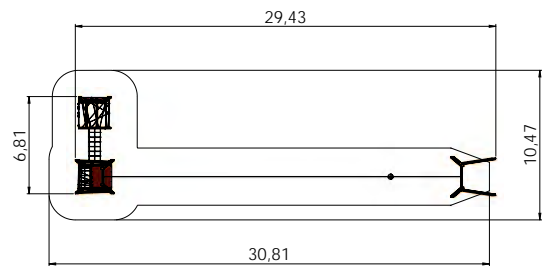
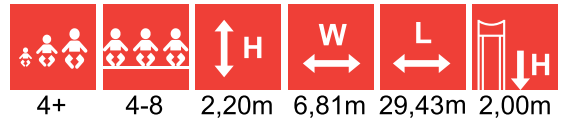
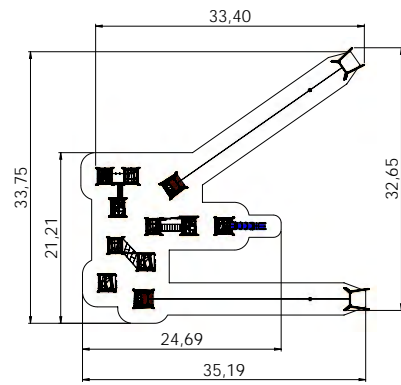
AMAZON

AM101



AM014

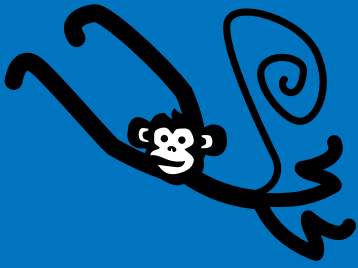






NATURE WORLD





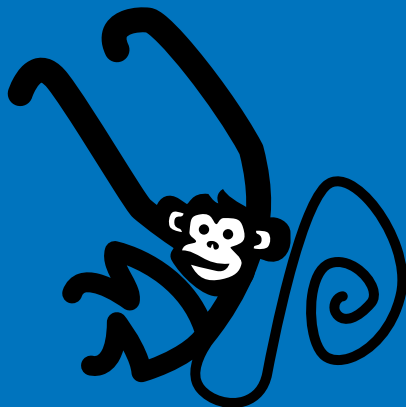
NEW!

NATURE WORLD

The Nature World range allows children to see the beauty of the surrounding nature through play. Details which might be overlooked due to the hasty daily routine play an important role in our new product ranges inspiring the children to perceive and discover. The products in this range are perfect for bigger children who are not afraid of testing themselves - however, also smaller adventurers can feel safe on these playgrounds.

The Nature World is combined of three product ranges. The Forest World range is characterised by colourful butterflies which bring joy to those wandering on forest tracks in the summer. The Water World playgrounds inspired by the diverse and mystical underwater world feature interesting aquatic creatures. The Pirate World range offers excitement and challenges for each adventurer to put himself/herself to the test!

The Nature World range is designed to foster the children's dreams, inspire them to perceive, explore and question, develop their stamina, sense of balance and mobility, and offer unlimited joy of playing. The products come in colours which are just as lively and joyful as the children on our playgrounds.



NATURE WORLD



NW101 W Play Centre RAY 23



NW102 F TRISTAN 30



NW201 P COOPER 37



NW102 W Play Centre DOLPHIN 24



NW201 F MYRTIL 31



NW202 P COX 38



NW201 W Play Centre TURTLE 25



NW202 F VULCAIN 32



K002 P DUCAT 39



NW202 W Play Centre SHARK 26



NW210 F TIRCIS 33



MM116 P Playship BLACK DRAGON 40



NW210 W Play Centre CLOWNFISH 27



NW101 P GOLDSMITH 35



NW101 F AURORE 29



NW102 P POWER 36

NATURE WORLD

WATER WORLD RANGE

This product range features a colourful and exciting underwater world. Just like the water world lures you with its mystery and beauty, these products invite children to undertake exciting exploration trips and test themselves by tackling these new challenges. The underwater world is extremely diverse and the same kind of diversity is provided by the Water World range.

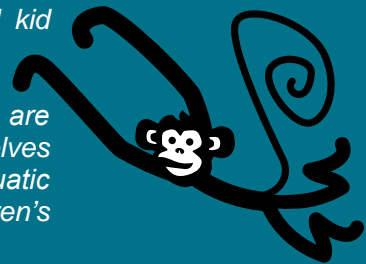
The sense of balance and three-dimensional movement characteristic to fish have given us ideas how to develop the sense of balance in children. The underwater life surrounding the coral reefs inspired us to create the same kind of attractive product range which no playful kid could resist!







Climbing nets, walls, ladders and tracks of various level of difficulty are in bright colours and invite small adventurers to discover themselves through play. The range displays colourful fish and other aquatic creatures which make the products look lively and boost the children's fantasy!

Water World is suitable from the age of 4, but it can offer the joys of discovery and movement to much older children as well.

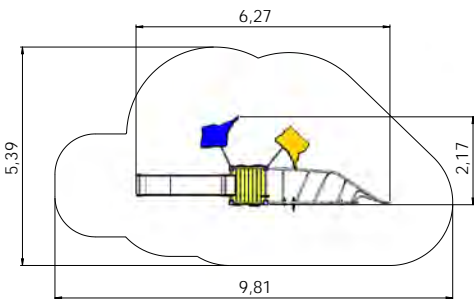
Materials and installation: The Water World range is durable and safe, and it has been awarded the relevant quality certificates. The metal elements are attached to painted profile posts made of laminated timber which are concreted to the ground using hot-galvanized metal tubular fittings. The climbing nets are made of extremely durable steel rope designed especially for climbing, and the climbing walls are made of waterproof birch plywood.

For the purpose of safety, it is recommended to use sand or rubber mats beneath the playground facilities.









					
4+	4-6	4,73m	2,17m	6,27m	2,20m

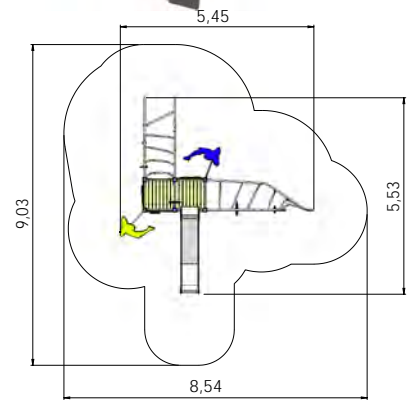
NW101 W Play Centre RAY









NATURE WORLD

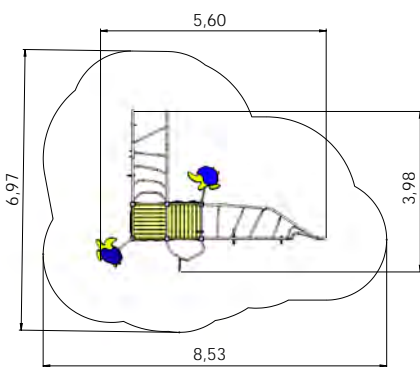
NW102 W Play Centre DOLPHIN

					
4+	6-8	4,80m	5,45m	5,53m	2,57m



					
4+	4-8	4,43m	3,98m	5,60m	2,57m

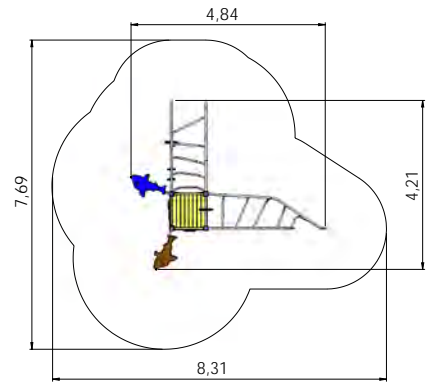
NW201 W Play Centre TURTLE









NATURE WORLD

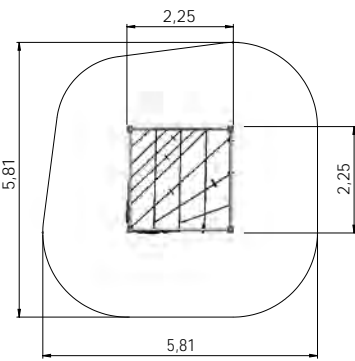
NW202 W Play Centre SHARK

					
4+	4-8	4.42m	4.21m	4.84m	2.57m



					
4+	3-6	1,98m	2,25m	2,25m	1,98m

NW210 W Play Centre CLOWNFISH



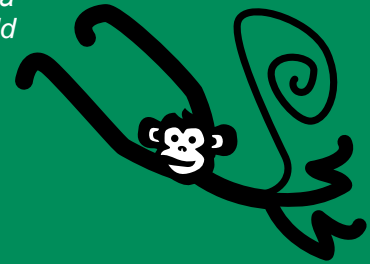
NATURE WORLD







FOREST WORLD RANGE

The products of this range resemble a walk on a forest track where you notice something new and interesting on every step - be it on the ground or in the air. Small but important details which you see only when you take the time to look. Colourful butterflies whose amazing beauty brings a smile. A walk on a forest track is like a thrilling exploration trip for the smaller ones – our product range inspired by nature offers the same kind of joy and excitement. Discover our Forest World!

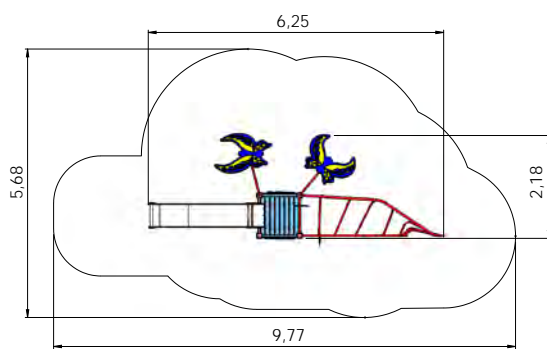
The products of this range consist of climbing nets, tracks, walls and ladders of various level of difficulty where both smaller and more cautious as well as bigger and more bolder adventurers can experience the joy from exceeding their limits. Playgrounds with a slide continuously add pace to the game and the wonderful butterflies extending their wings above the children's heads make their fantasy fly!

The names of the playgrounds of this range are inspired by all the emotions and qualities which characterise an unforgettable trip on a thrilling forest track. The children experience all this on the Forest World playgrounds!



					
4+	4-6	4,73m	2,18m	6,25m	2,20m

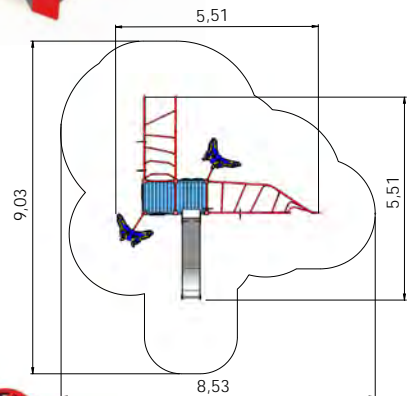
NW101 F AURORE









NATURE WORLD

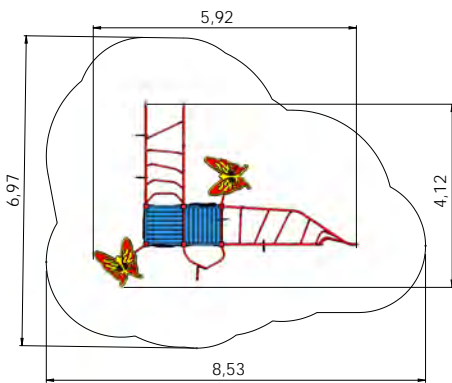
NW102 F TRISTAN

					
4+	6-8	4,80m	5,51m	5,51m	2,57m



					
4+	4-8	4,43m	4,12m	5,92m	2,57m

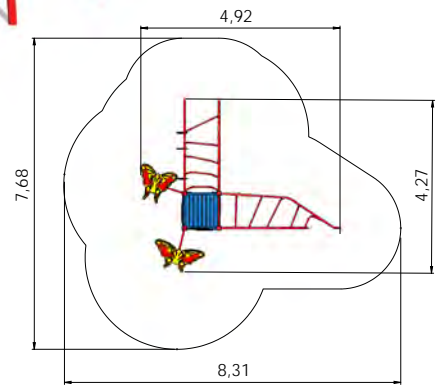
NW201 F MYRTIL









NATURE WORLD

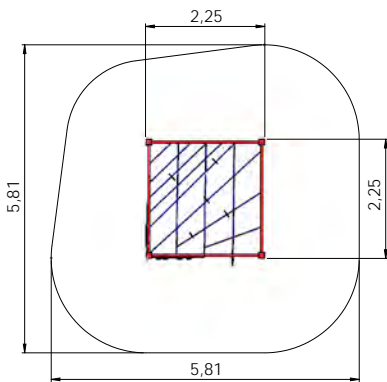
NW202 F VULCAIN

4+	4-8	4,42m	4,27m	4,92m	2,57m



					
4+	3-6	1,98m	2,25m	2,25m	1,98m

NW210 F TIRCIS



NATURE WORLD







PIRATE WORLD RANGE

Defying wind and storm, disregarding treacherous rocks and dangers, searching for major treasures – this is how some famous pirates who still inspire books or movies have secured their place in history. Our Pirate World range features those thrilling stories and allows every small daredevil to feel just like a fearless captain of a pirate ship!

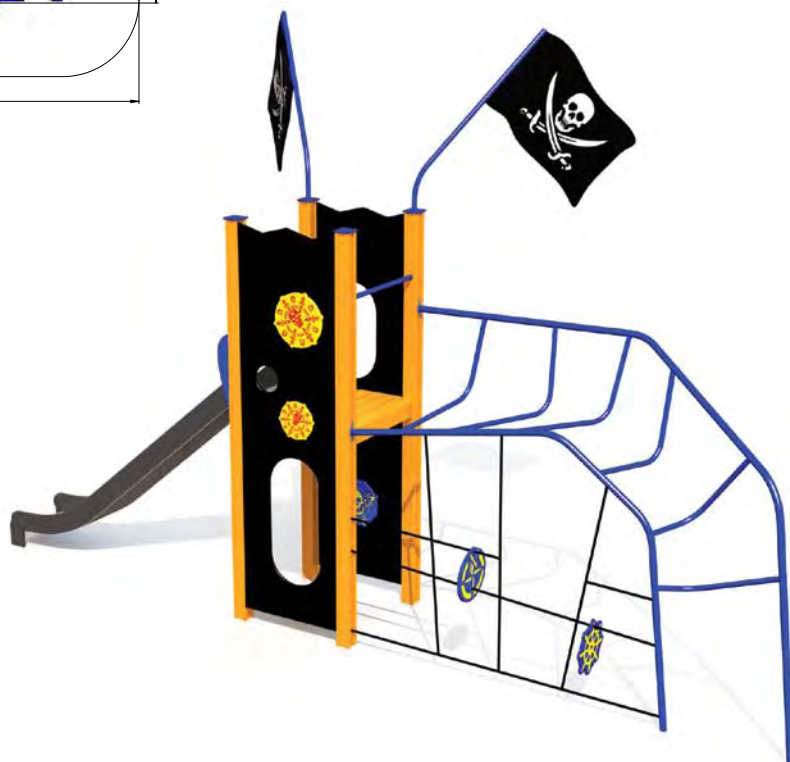
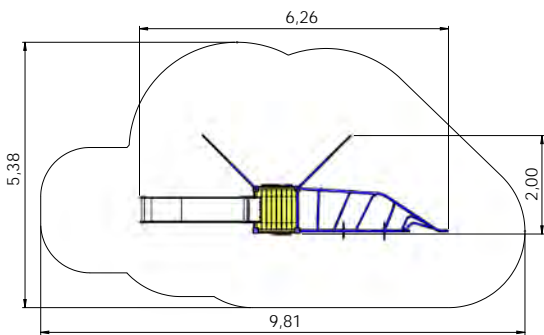
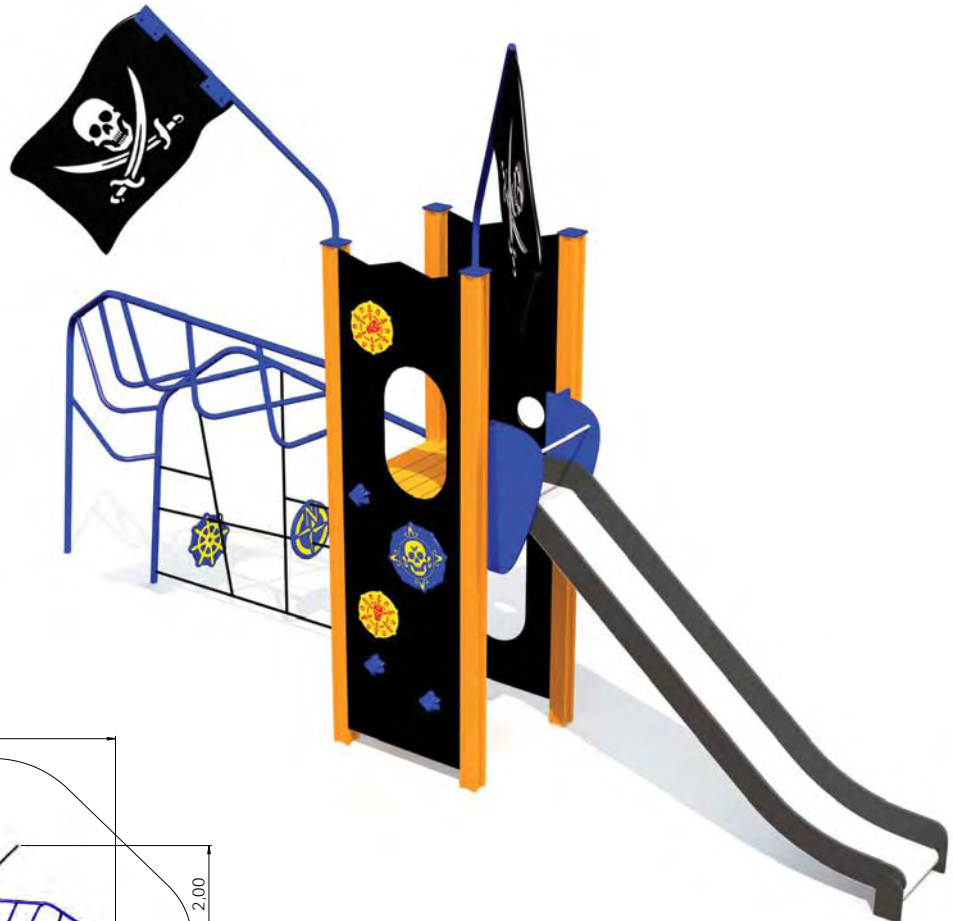
The products in the Pirate World range consist of climbing nets, tracks, walls and ladders which develop stamina and sense of balance and where the small pirates boldly overcome all obstacles in their way. Racing down the slides, a true pirate captain defies winds and storms with the skull flag always proudly fluttering above his/her head!

Playgrounds of various level of difficulty come in bright colours to support the concept of the Pirate World. Fearless pirate captains on our playgrounds always sail before the wind – you're welcome to step on board!



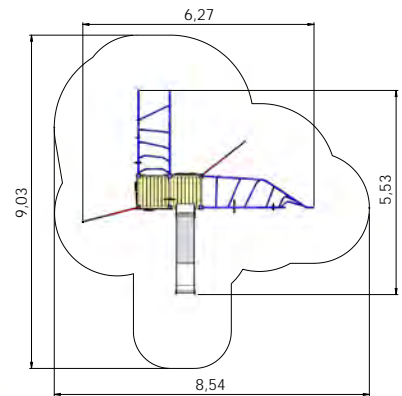
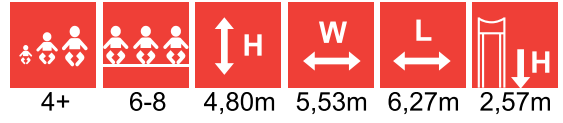
					
4+	4-6	4,73m	2,00m	6,26m	2,20m







NW101 P GOLDSMITH



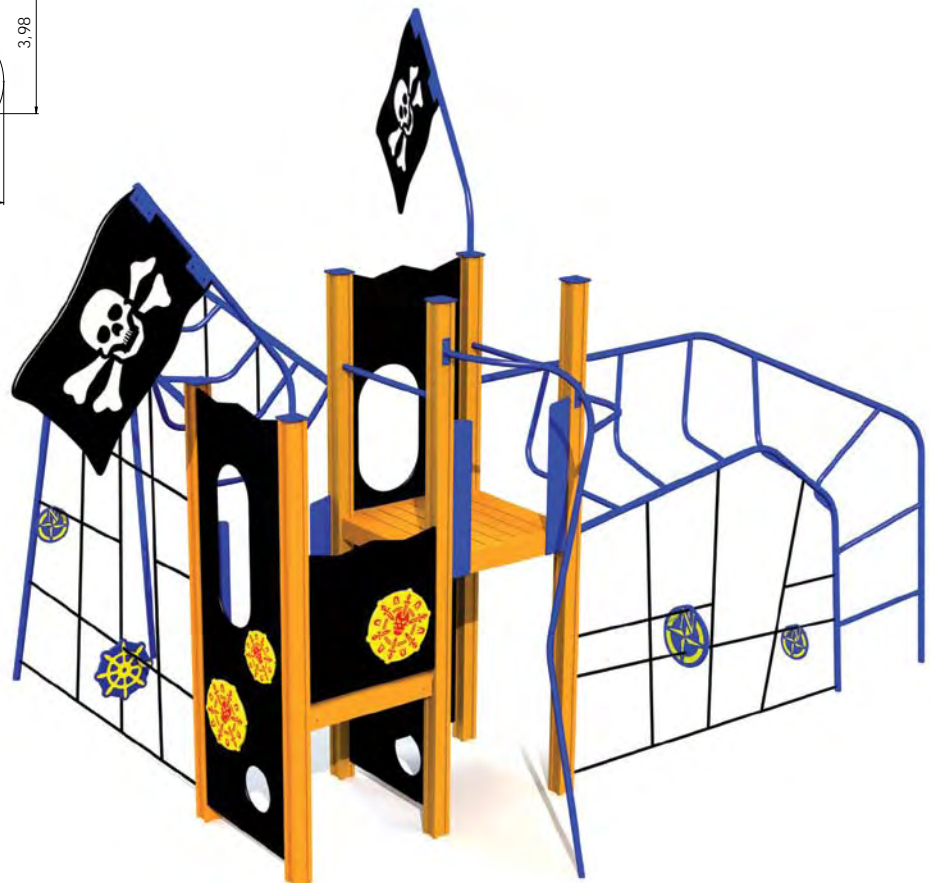
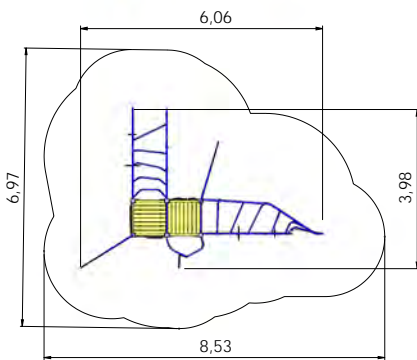
NATURE WORLD

NW102 P POWER



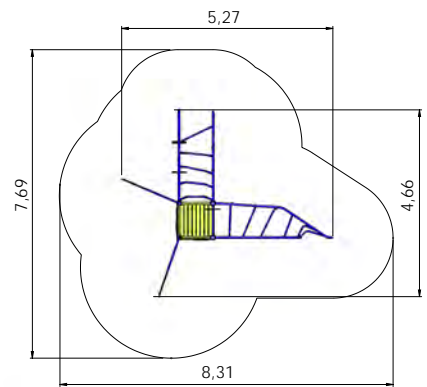
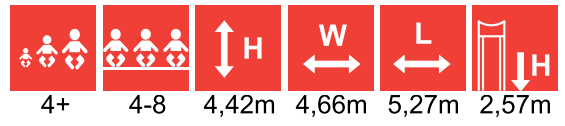
					
4+	4-8	4,43m	3,98m	6,06m	2,57m

NW201 P COOPER

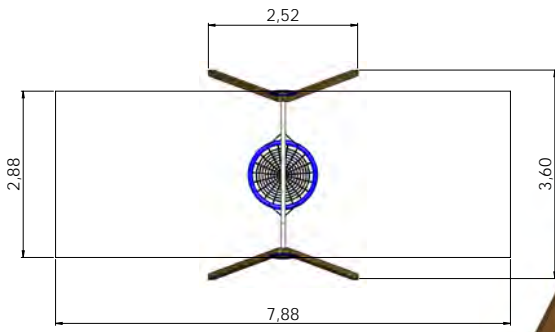
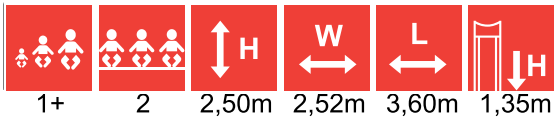


NATURE WORLD

NW202 P COX









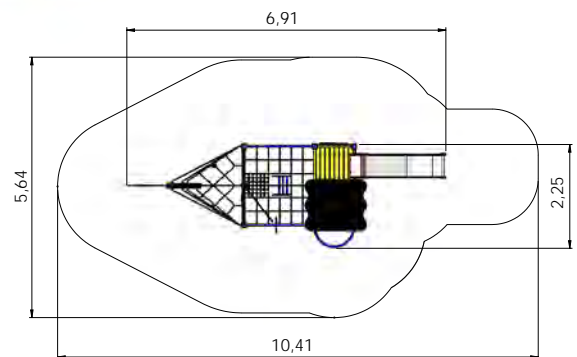
K002 P DUCAT



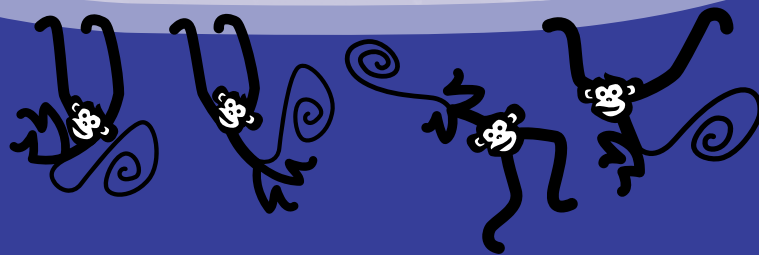
NATURE WORLD

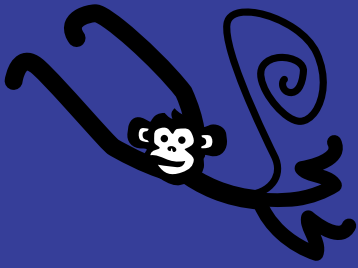
MM116 P Playship BLACK DRAGON

					
4+	6-15	3,02m	2,25m	6,91m	1,92



ZODIAC





NEW!

ZODIAC range

The starry sky has always attracted people with its mystique and endless space. Just like astronomy answers our questions about the outer space and astrology instils belief in constellations, our new Zodiac range helps better understand the secrets of the universe.

Why do stars look so tiny? How does the Moon wax and wane? How big is outer space? What does the Ursa Major carry? Where do UFOs live? Does the time machine exist? What is my Zodiac sign? The children's questions never end, but seeking answers to these questions together is just as educational and exciting as the products in our Zodiac range.

The Zodiac range fuels their dreams and the same sparkle-eyed kid climbing on the net, racing down the slide or exploring the world through an illuminator just might be a future astronaut or astronomer.





Z001 Play Centre URSA MAJOR

46



Z006 Playhouse LEO

51



Z002 Play Centre CEPHEUS

47



K002 Z Swing CROX

52



Z003 Play Centre URSA MINOR

48



LK20 Z Sandbox BLACK HOLE

52



Z004 Play Centre LACERTA

49



Z007 Play Centre CANES VENATICI

50



Z005 Playhouse LEO MINOR

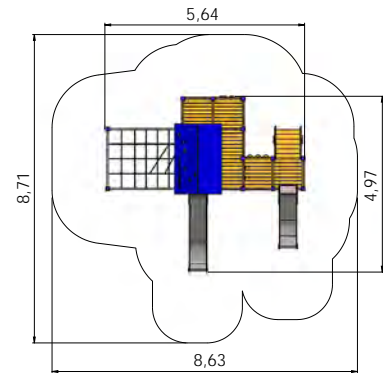
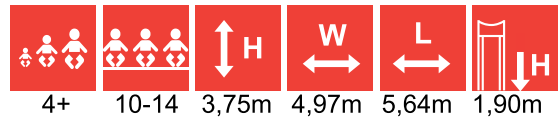
51



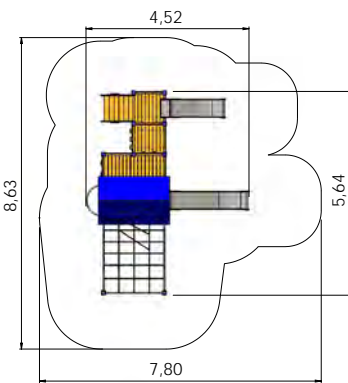
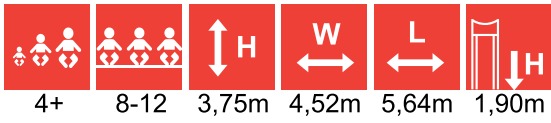


ZODIAC

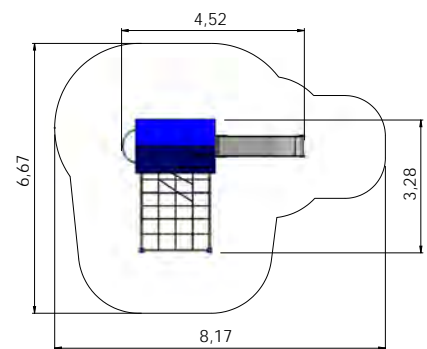
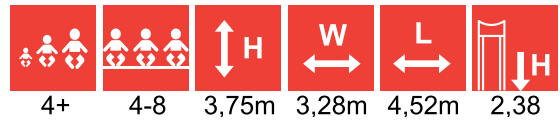
Z001 Play Centre URSA MAJOR









Z002 Play Centre CEPHEUS

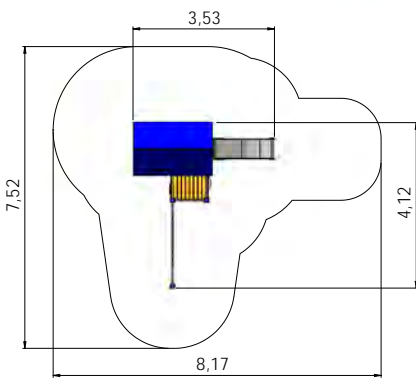


Z003 Play Centre URSA MINOR









Z004 Play Centre LACERTA

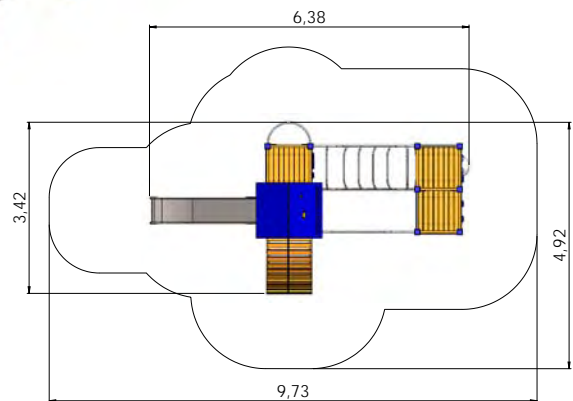
					
4+	5-10	3,31m	3,53m	4,12m	1,98m



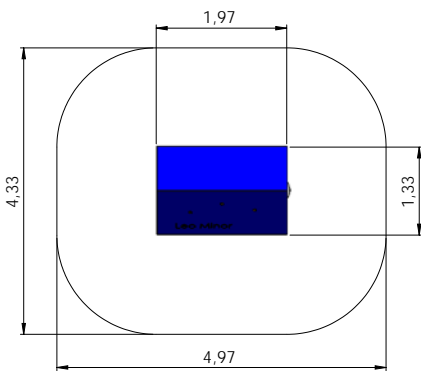
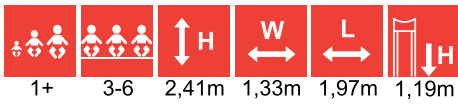
ZODIAC

Z007 Play Centre CANES VENATICI

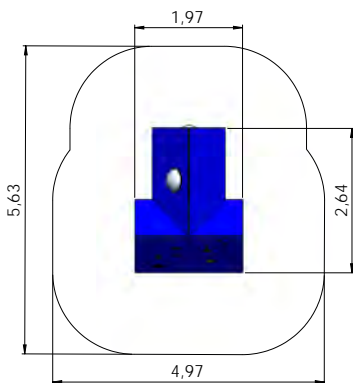
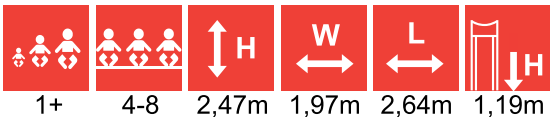
					
4+	6-12	3,59m	3,42m	6,38m	1,98m



Z005 Playhouse LEO MINOR

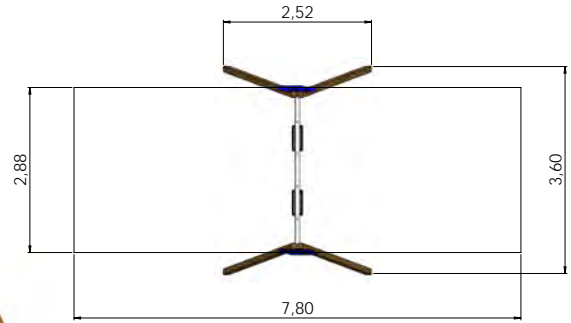
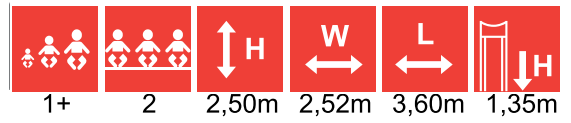
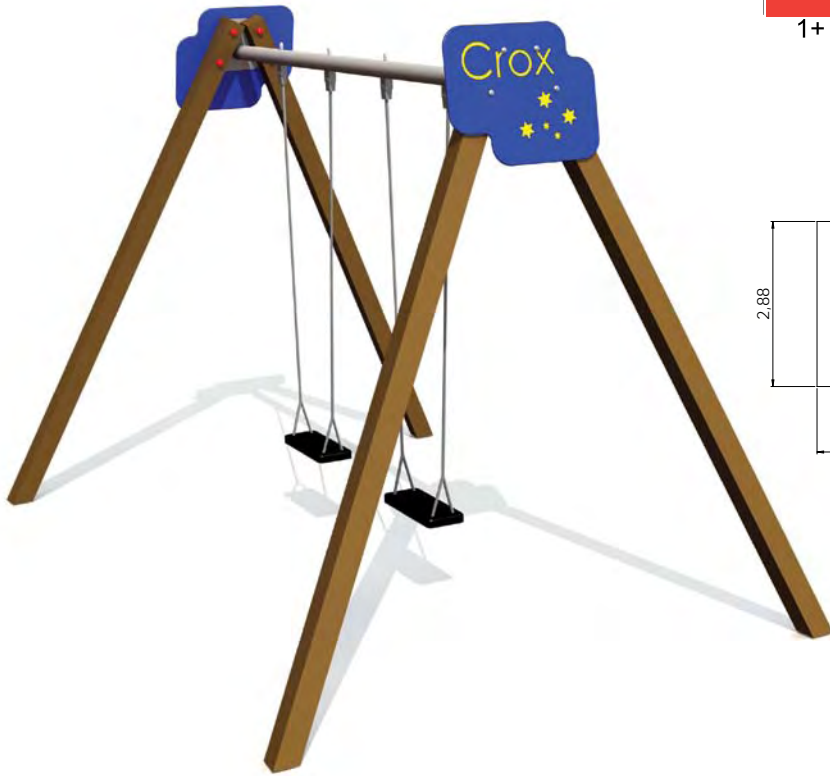


Z006 Playhouse LEO

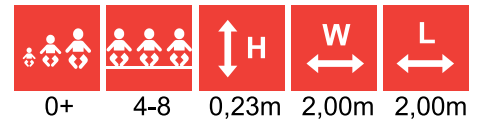


ZODIAC

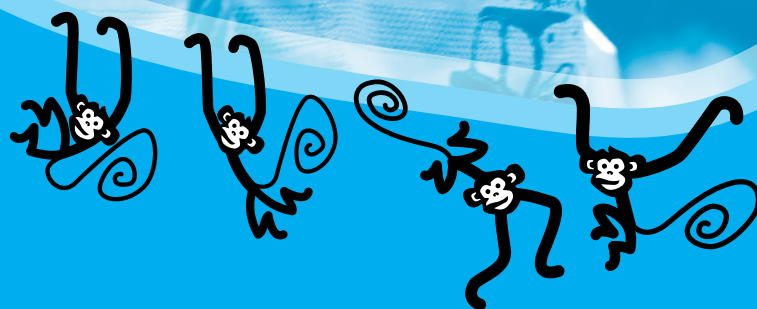
K002 Z Swing CROX

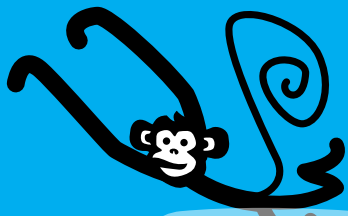


LK20 Z Sandbox BLACK HOLE



MULTI ACTIVITY EQUIPMENT





ACTIVITY PANELS

57



LM004 Slide MIA

62



LM002 Slide ANN

66



LM208-1 SEASONS- 4 different colour options

58



LM011 Slide DAN

62



LM207 Slide BEN

67



LM020 Slide SHELL

60



LM014 Slide ALF

63



LM207S Slide ANN

67



LM021 Slide BEAVER

60



LM001 Slide TIM

63



LM211 Play Centre PAUL

68



LM007 Slide ELO

61



LM201 Slide EMMA

64



LM210 Play Centre MONA

69



LM008 Slide BOB

61



LM200 Slide LARS

64



LM003 Play Centre JACOB

70

MULTI ACTIVITY



LM214 Play Centre HARRY 72



LM010 Play Centre BRITA 77



LM218 Play Centre INGRID 83



LM214-1 Slide HARDY 72



LM005 Play Centre OSCAR 78



LM102 Play Centre JOHANNA 84



LM006 Play Centre LAURA 73



LM103 Play Centre ROBERT 79



LM213 Slide DANIEL 86



LM209 Play Centre OLIVER 73



LM101 Play Centre MARCUS 80



LM203 Play Centre RICHARD 87



LM202 Play Centre MARIA 74



LM100 Play Centre REGINA 81



LM217 Play Centre HARALD 88



LM009 Play Centre ANETE 76



LM219 Play Centre CONRAD 82



LM217-1 Play Centre HEDVIG 89

MULTI ACTIVITY



LM204 Play Centre RAYMOND 90



LM208-1 Play Centre ALEXANDRA 98



LM300-4 Multi Activity Centre OLD TOWN Maxi 105



LM220 Play Centre HERMANN 91



LM310 Play Centre ELISABETH 99



LM300-5 Multi Activity Centre OLD TOWN Midi 106



LM205 Play Centre REBECCA 92



LM300-3 Multi Activity Centre HARBOUR Mini 100



LM215 Play Centre LINCOLN 94



LM300-2 Multi Activity Centre HARBOUR Midi 101



LM212 Play Centre ANNABEL 95



LM300-1 Multi Activity Centre HARBOUR Maxi 102



LM208 Play Centre ALEXANDER 96



LM300-6 Multi Activity Centre OLD TOWN Mini 104

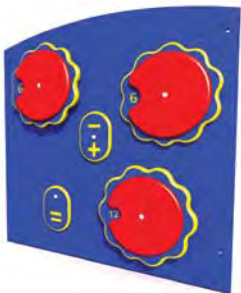
NEW!

ACTIVITY PANELS

To further add diversity to our products we created a wide range of activity panels which make the playgrounds even more fascinating for children. The development-oriented activity panels create playful situations to teach children to calculate, solve puzzles, learn shapes, learn to tell time etc. This trains their memory, logical thinking and attentiveness. Learning has never been so simple and fun!

The appropriate activity panel can be selected instead of the standard panel while ordering a new playground, alternatively it can be ordered for an existing playground to refresh it and make it more fascinating for children. Climbing walls can be replaced with activity walls - just as activity panels are an alternative to standard panels. Both options add further attraction to the playground!

AP03
Arithmetics 1



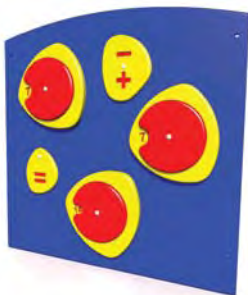
AP01
Alphabet



AP06
Geometry 2



AP04
Arithmetics 2



AP05
Geometry 1



AP02
Clock



AP10
Climbing wall Forest



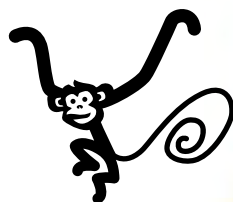
AP07
Arithmetics 3



AP09
Climbing wall Water World



AP08
Climbing wall Pirate



MULTI ACTIVITY

NEW!

SEASONS- 4 different colour options

In addition to the standard palette, the products can be supplied in four different colour combinations. Inspired by nature's amazing colour play we have created different colour solutions for our playgrounds based on the four seasons -

SUMMER – bright and lively colours characteristic to summer (product in standard colours)

AUTUMN – the colours of the autumn (grey slide channel, yellow timber, black panels and ropes)

WINTER – brisk beauty of the winter (grey slide channel, blue timber, grey and blue panels, black ropes)

SPRING – the miracle of the burgeoning spring (grey slide channel, blue timber, orange panels, black ropes)

A harmonious result is achieved by a colour solution of your taste!



LM208-1 SUMMER

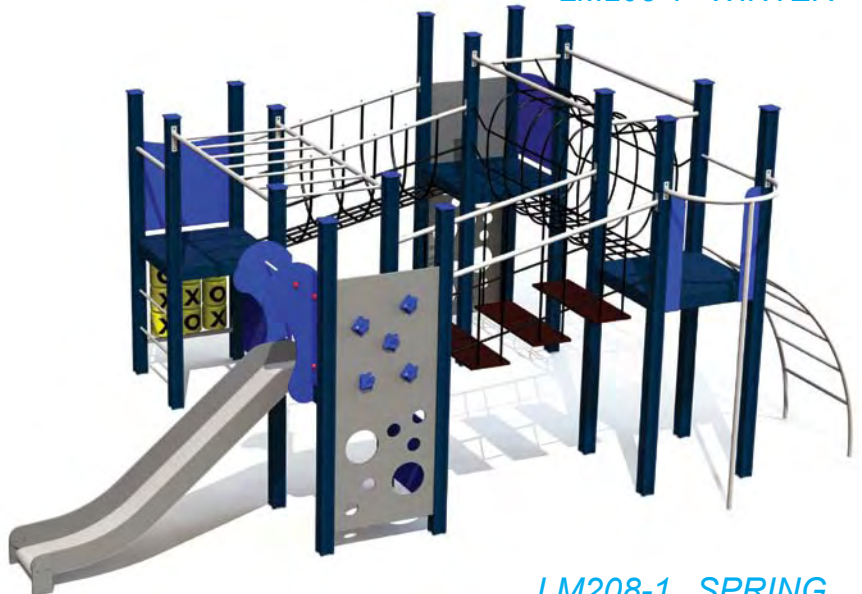


MULTI ACTIVITY

LM208-1 AUTUMN



LM208-1 WINTER



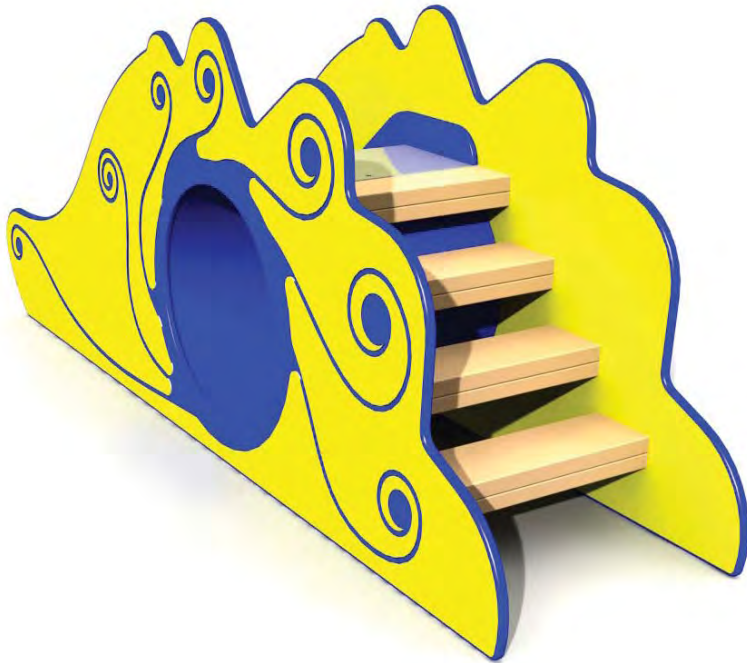
LM208-1 SPRING



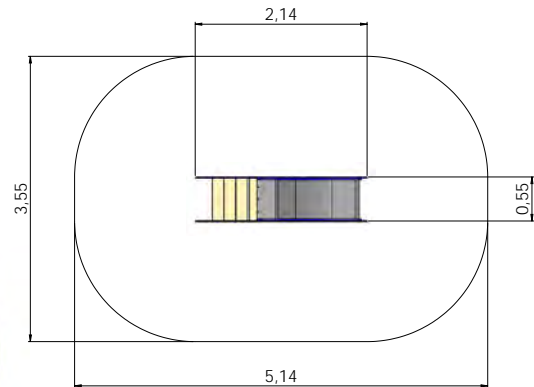
MULTI ACTIVITY

LM020 Slide SHELL

1+	1-3	0,54m	0,55m	2,14m	0,55m



NEW!

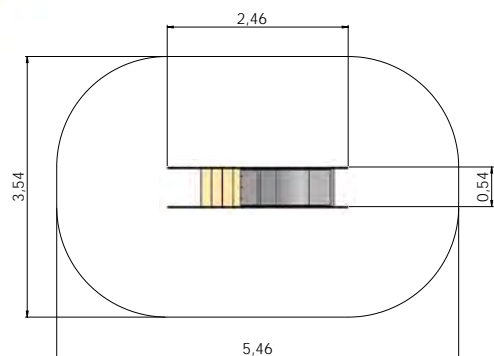


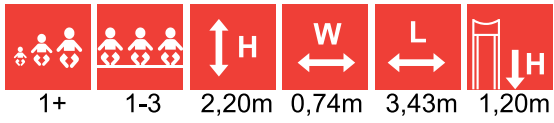
LM021 Slide BEAVER

1+	1-3	1,09m	0,54m	2,46m	0,55m

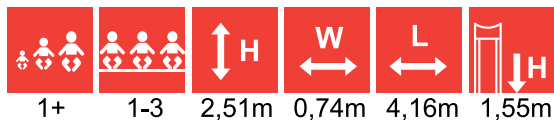
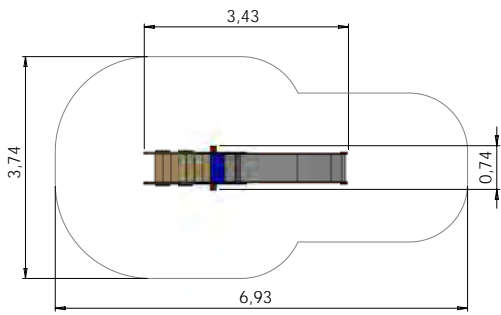


NEW!

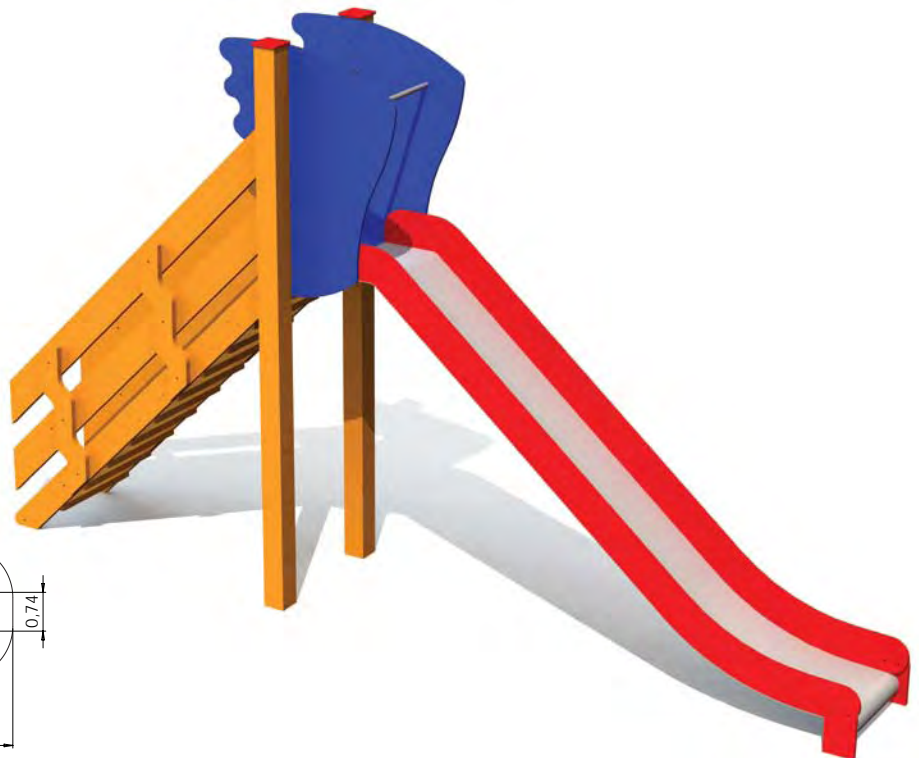
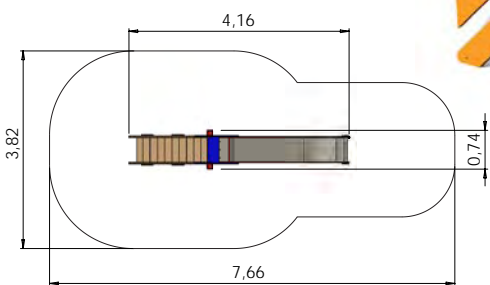




LM007 Slide ELO



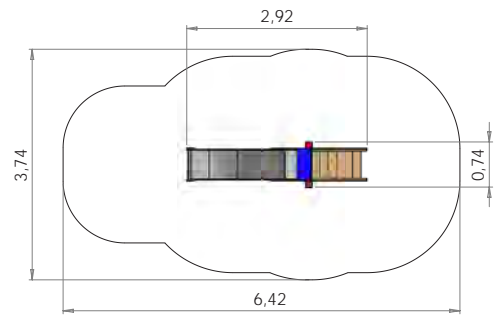
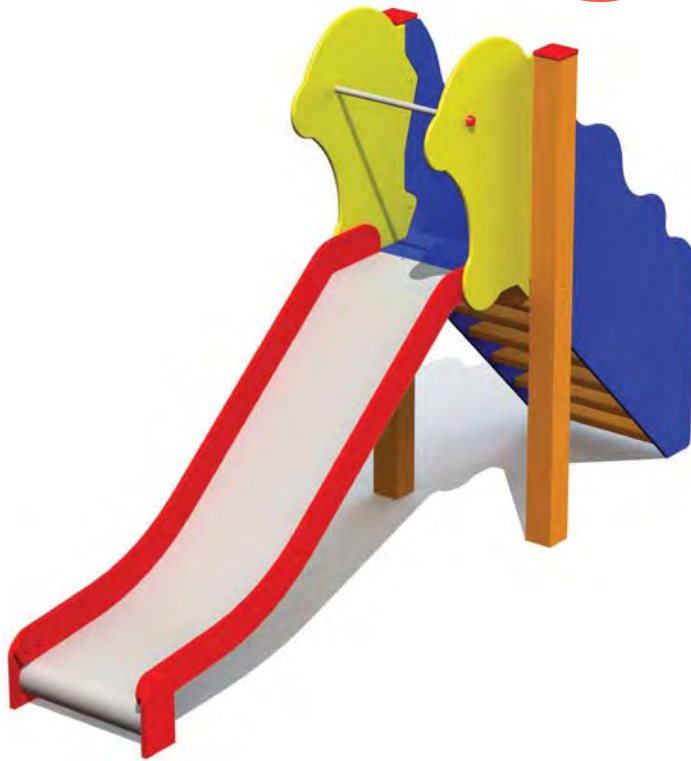
LM008 Slide BOB



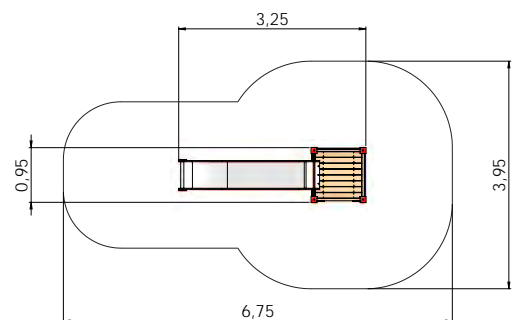
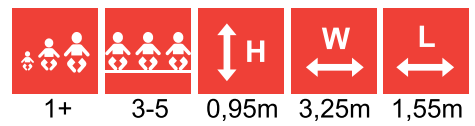
MULTI ACTIVITY

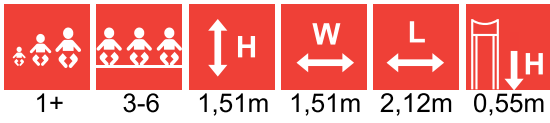
LM004 Slide MIA

BESTSELLER



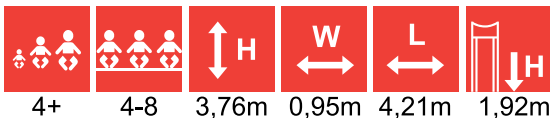
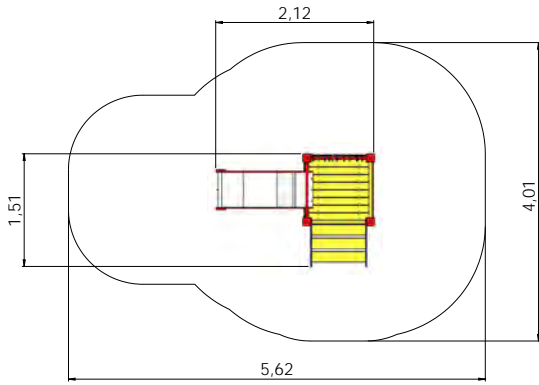
LM011 Slide DAN



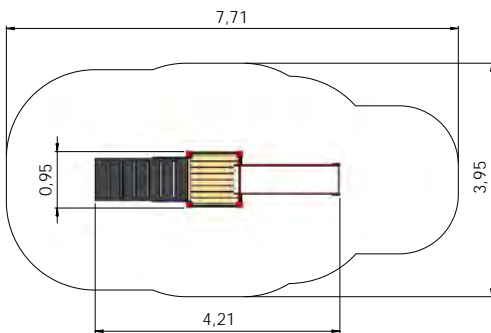


BESTSELLER

LM014 Slide ALF



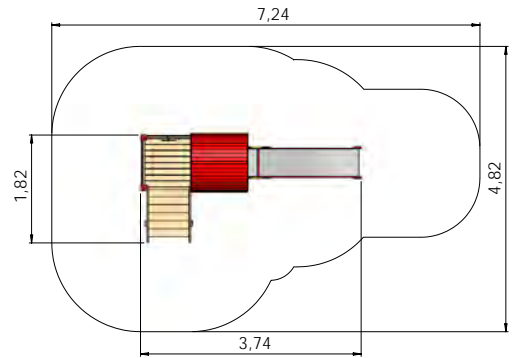
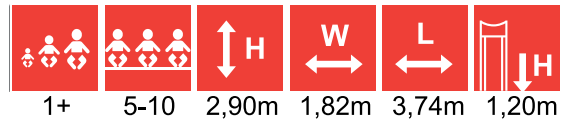
LM001 Slide TIM



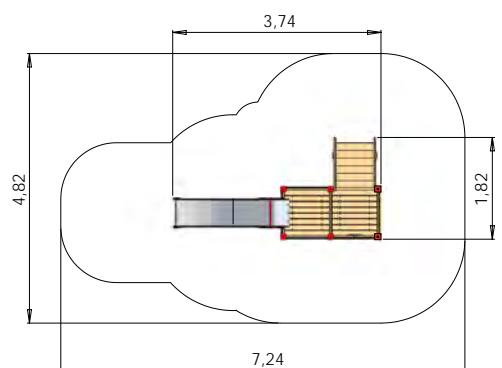
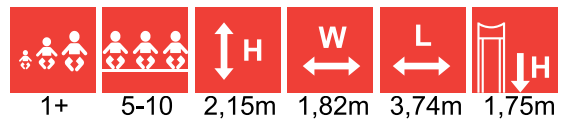
MULTI ACTIVITY

LM201 Slide EMMA

BESTSELLER



LM200 Slide LARS

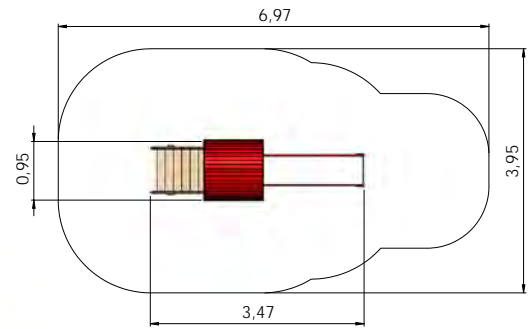
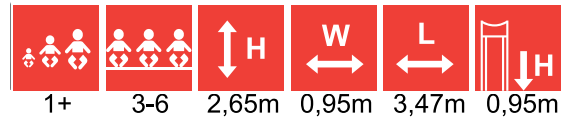


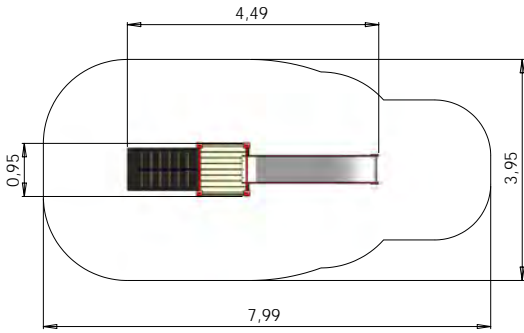
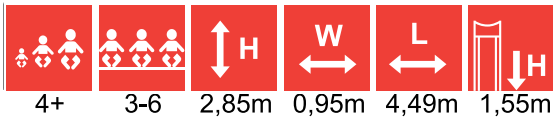


MULTI ACTIVITY

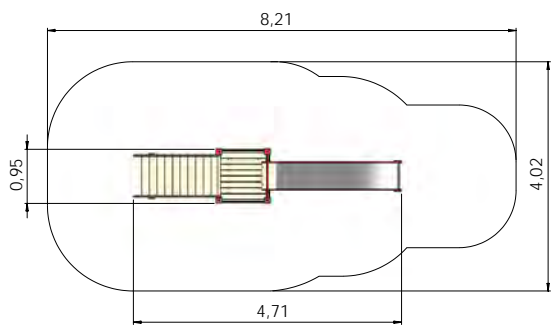
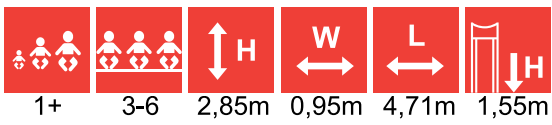
LM002 Slide ANN

BESTSELLER





LM207 Slide BEN

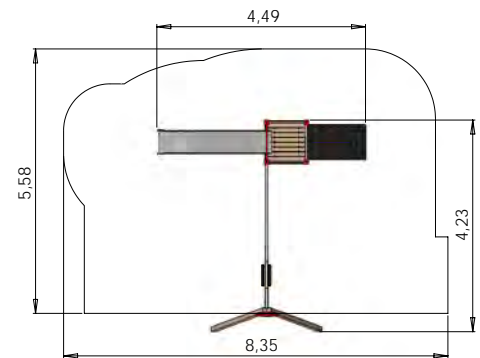
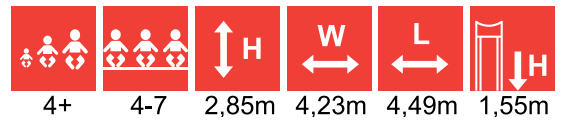


LM207S Slide ANN

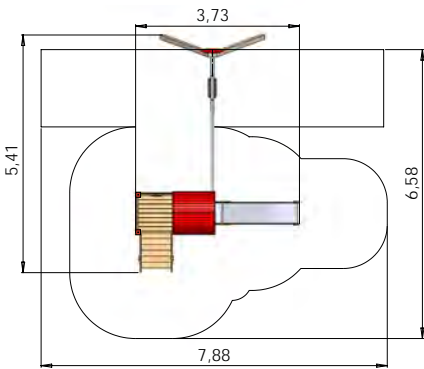
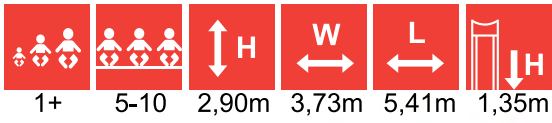


MULTI ACTIVITY

LM211 Play Centre PAUL

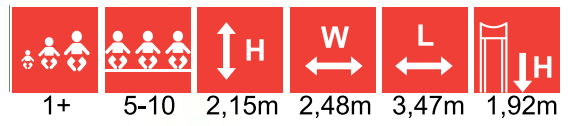


LM210 Play Centre MONA

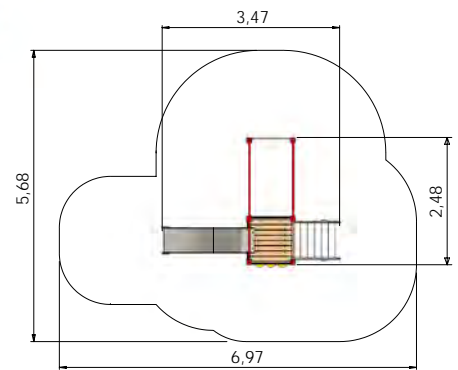


MULTI ACTIVITY

LM003 Play Centre JACOB



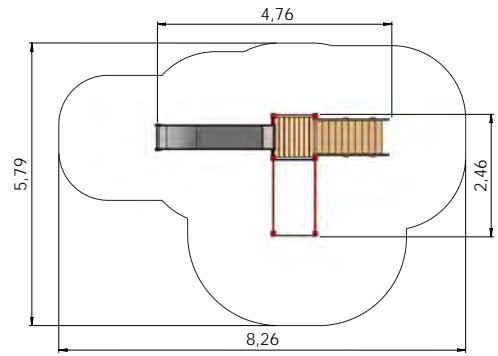
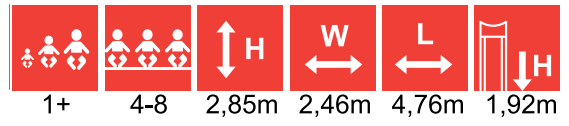
BESTSELLER



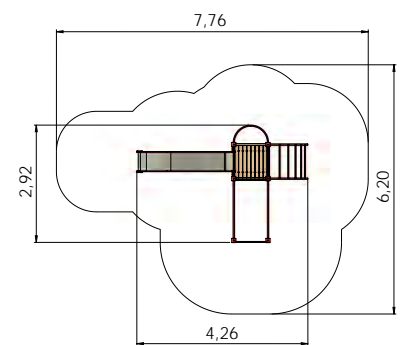
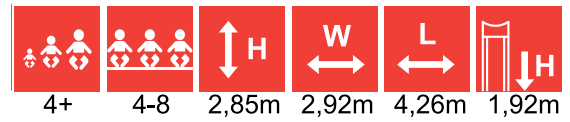


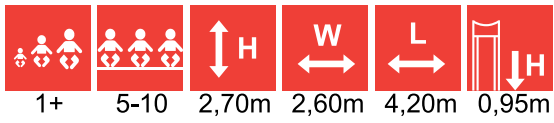
MULTI ACTIVITY

LM214 Play Centre HARRY

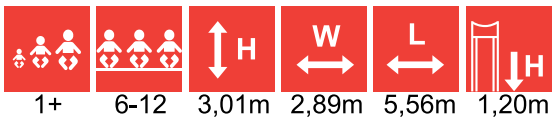
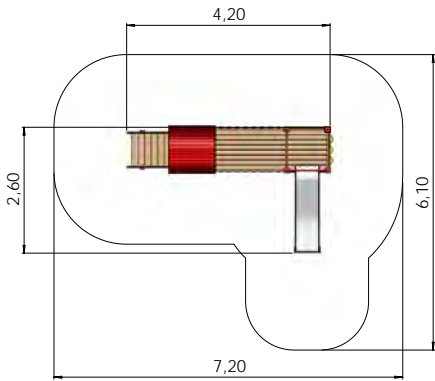


LM214-1 Slide HARDY

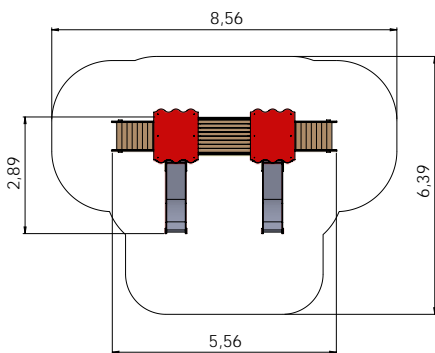




LM006 Play Centre LAURA









LM209 Play Centre OLIVER

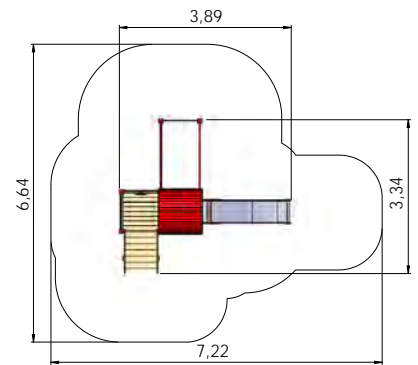


MULTI ACTIVITY

LM202 Play Centre MARIA

BESTSELLER

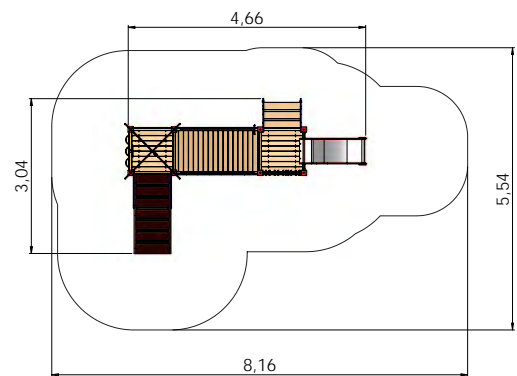
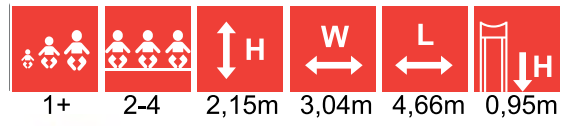
					
1+	6-12	2,90m	3,34m	3,89m	1,92m











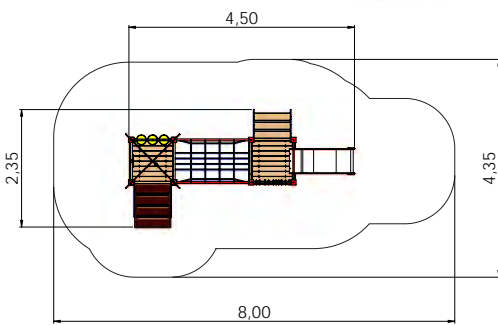
MULTI ACTIVITY

LM009 Play Centre ANETE



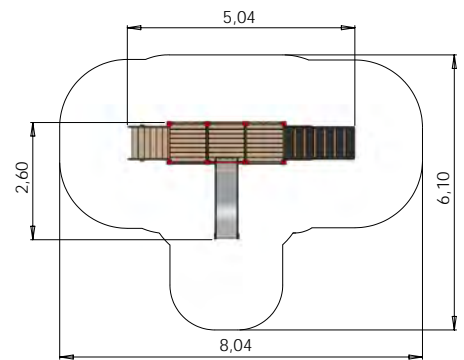
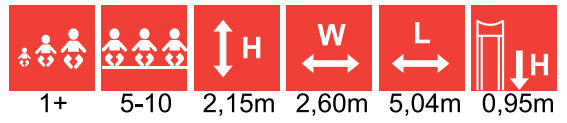
					
1+	4-8	3,66m	2,35m	4,50m	0,55m

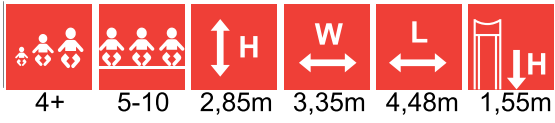
LM010 Play Centre BRITA



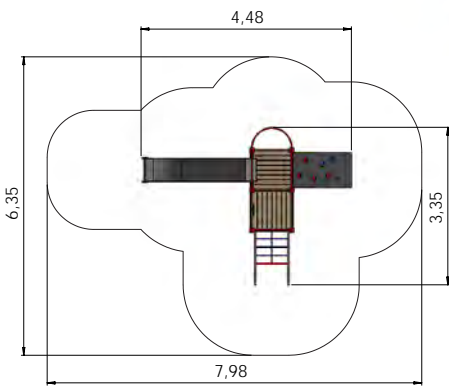
MULTI ACTIVITY

LM005 Play Centre OSCAR



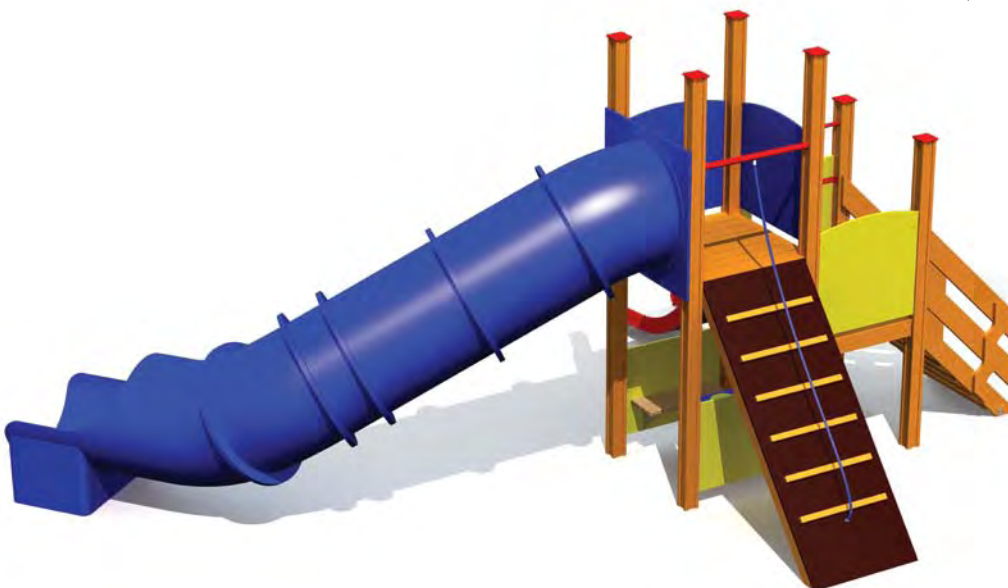
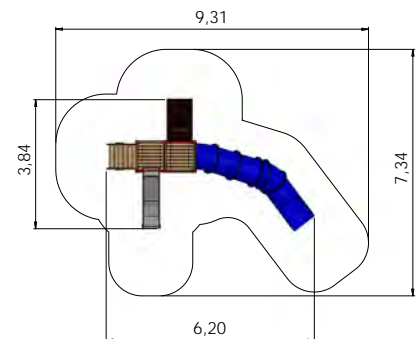
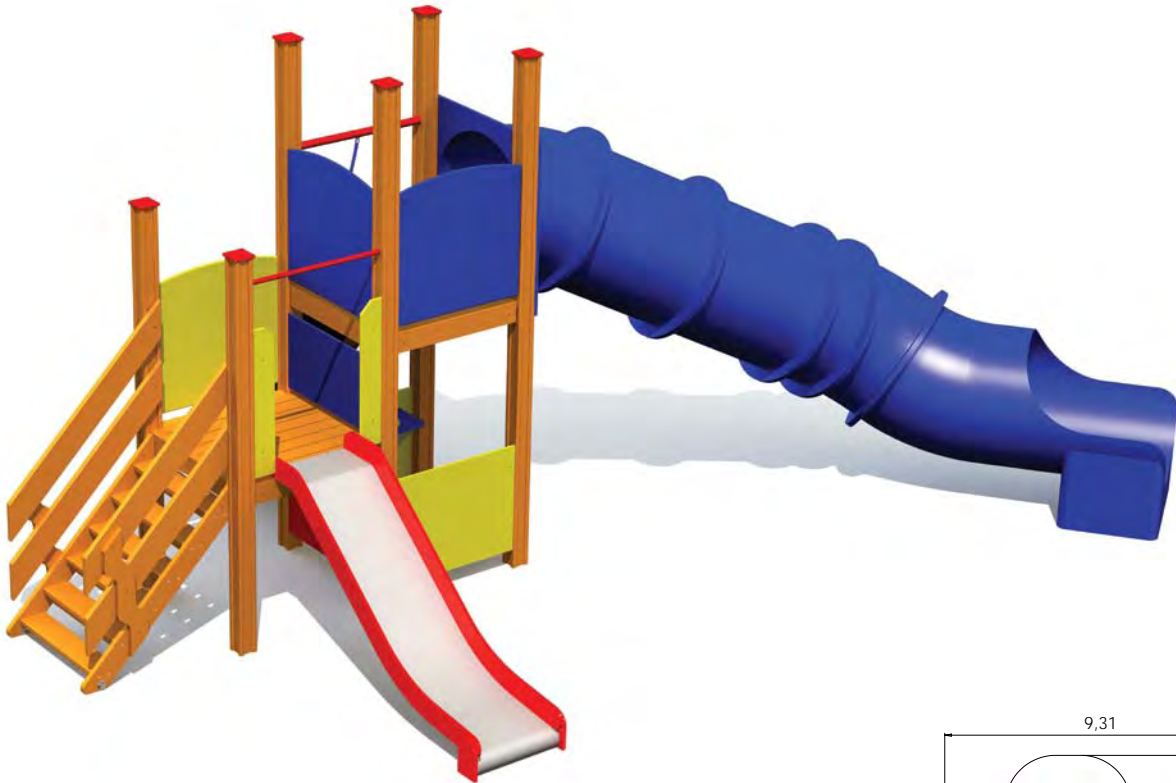
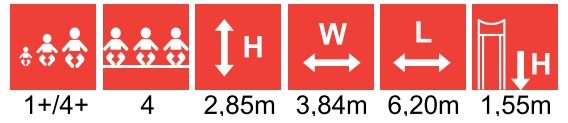


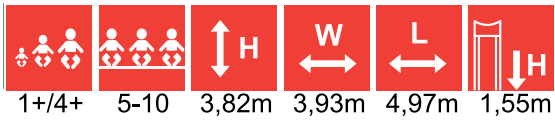
LM103 Play Centre ROBERT



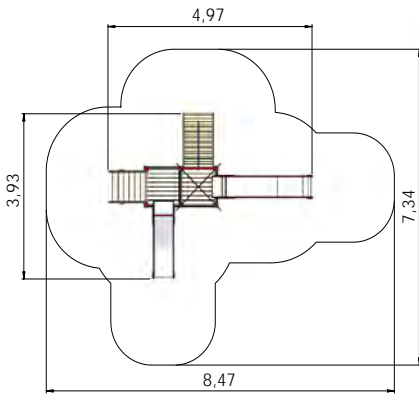
MULTI ACTIVITY

LM101 Play Centre MARCUS



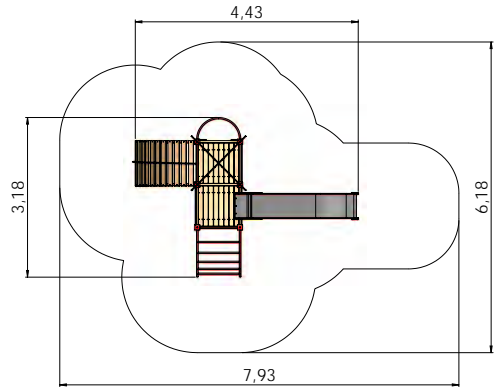
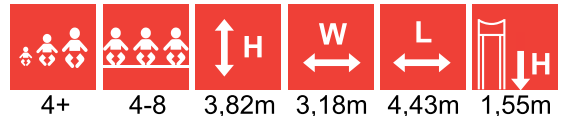


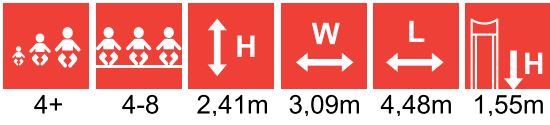
LM100 Play Centre REGINA



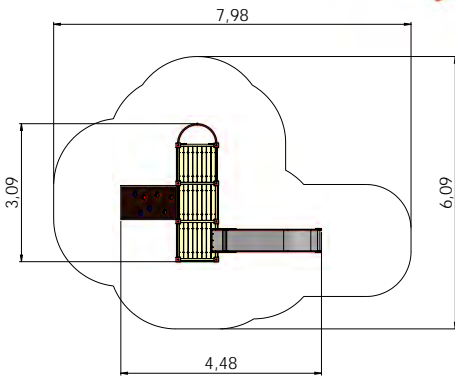
MULTI ACTIVITY

LM219 Play Centre CONRAD











LM218 Play Centre INGRID

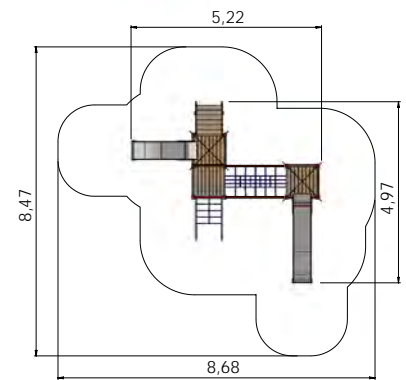


MULTI ACTIVITY

LM102 Play Centre JOHANNA

BESTSELLER








					
1+4+	8-16	3,82m	4,97m	5,22m	1,55m

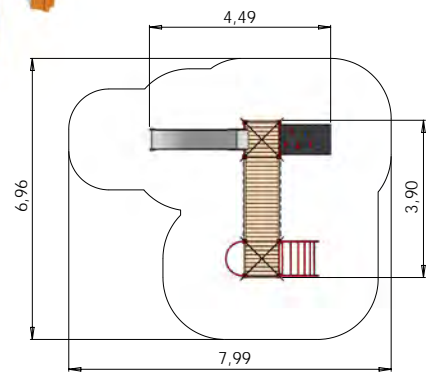




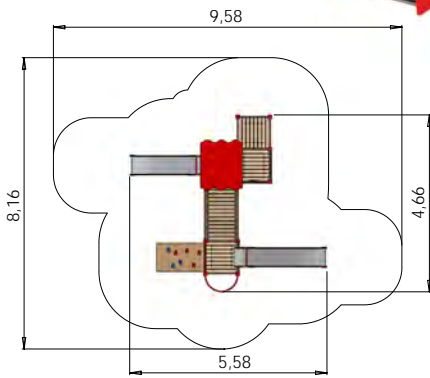
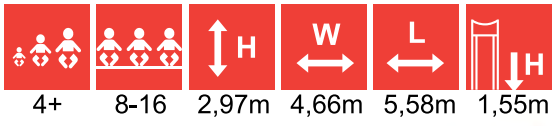
MULTI ACTIVITY

LM213 Slide DANIEL

						
4+	4-8	3,82m	3,90m	4,49m	1,55m	









LM203 Play Centre RICHARD



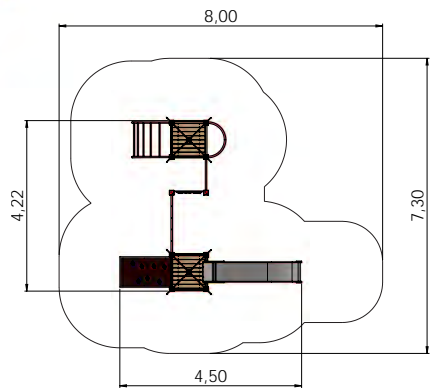
MULTI ACTIVITY









LM217 Play Centre HARALD

BESTSELLER

					
4+	4-8	3,76m	4,22m	4,50m	1,92m

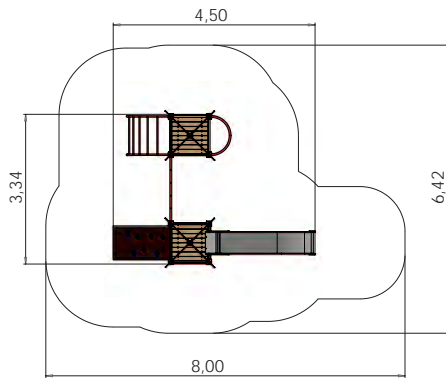
NEW!



							
4+	4-8	3,76m	0,95m	4,21m	1,92m		

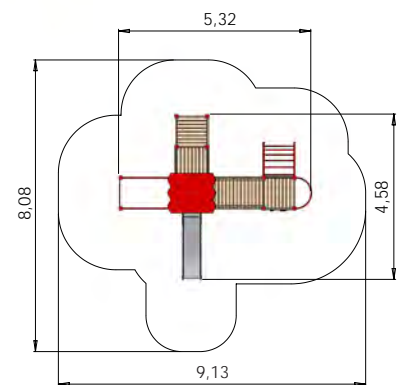
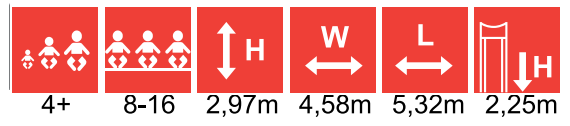
LM217-1 Play Centre HEDVIG

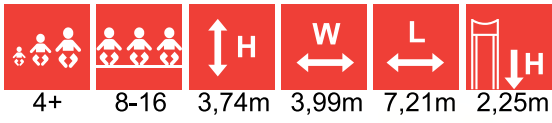
NEW!



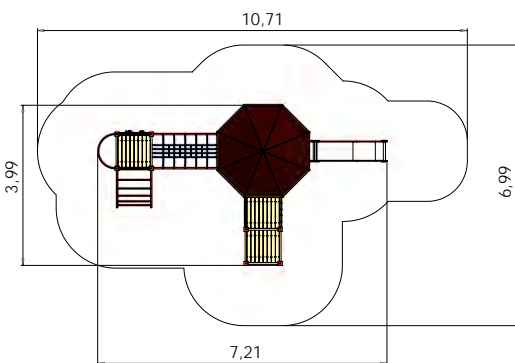
MULTI ACTIVITY

LM204 Play Centre RAYMOND





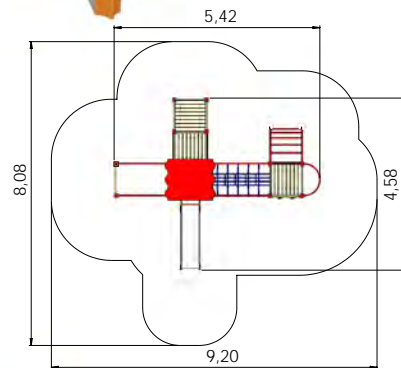
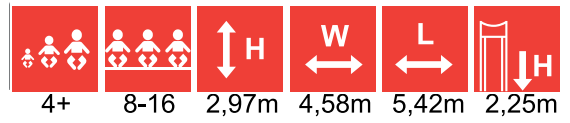
LM220 Play Centre HERMANN



MULTI ACTIVITY

LM205 Play Centre REBECCA

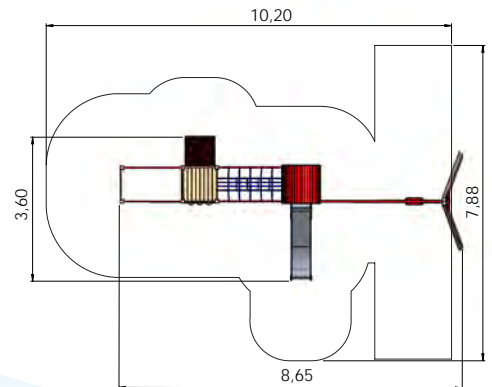
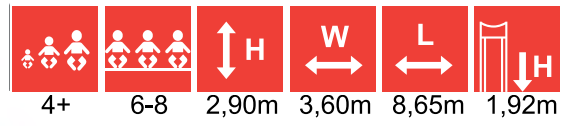
BESTSELLER



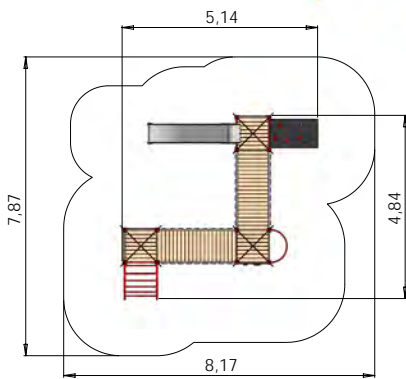
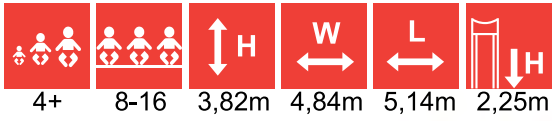


MULTI ACTIVITY

LM215 Play Centre LINCOLN



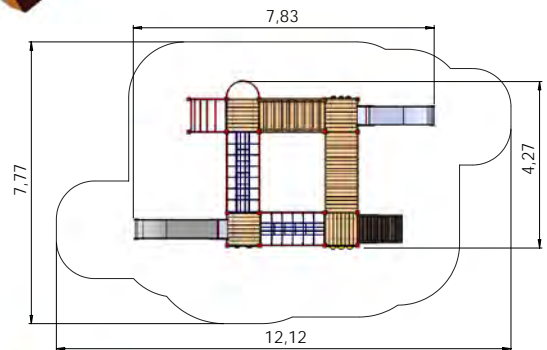
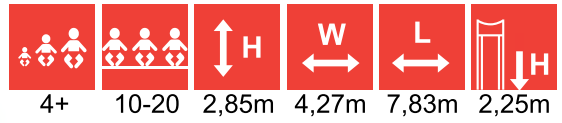
LM212 Play Centre ANNABEL



MULTI ACTIVITY

LM208 Play Centre ALEXANDER

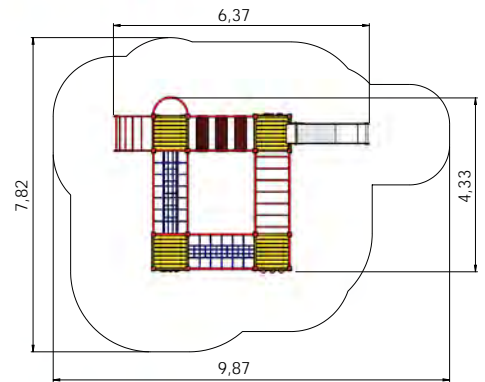
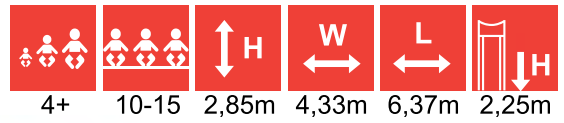
BESTSELLER

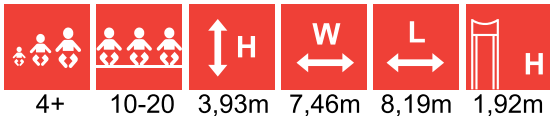




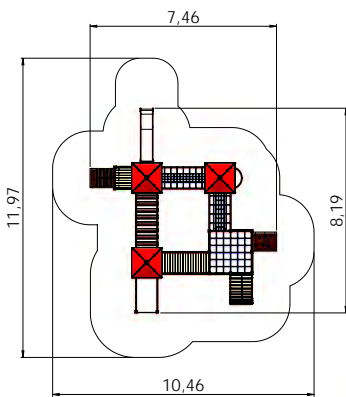
MULTI ACTIVITY

LM208-1 Play Centre ALEXANDRA





LM310 Play Centre ELISABETH

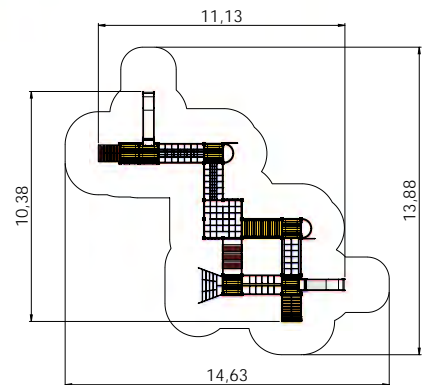


MULTI ACTIVITY

LM300-3 Multi Activity Centre HARBOUR Mini

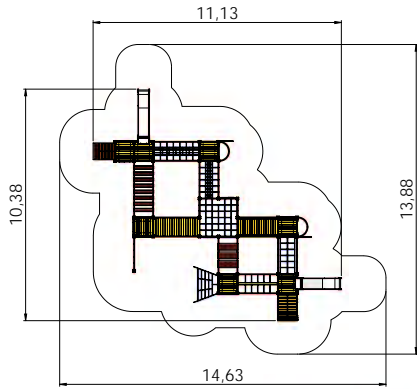
					
4+	8-16	2,80m	11,13m	10,38m	1,55m

BESTSELLER





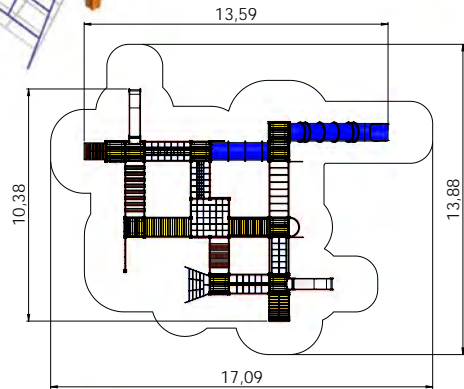
LM300-2 Multi Activity Centre HARBOUR Midi



MULTI ACTIVITY

LM300-1
Multi Activity Centre HARBOUR Maxi

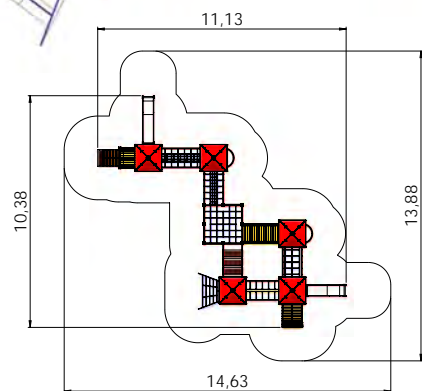
					
4+	20-40	3,40m	10,38m	13,59m	2,05m

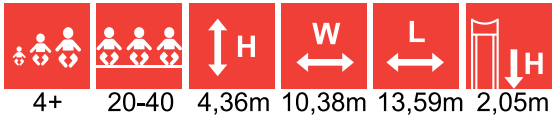




MULTI ACTIVITY

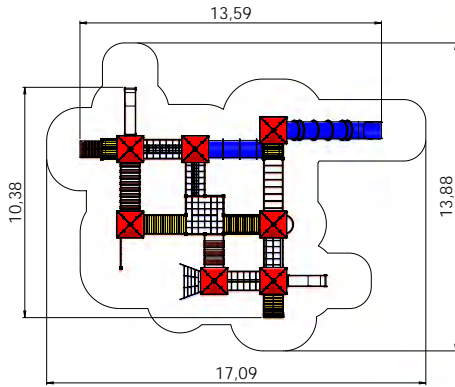
LM300-6
Multi Activity Centre OLD TOWN Mini





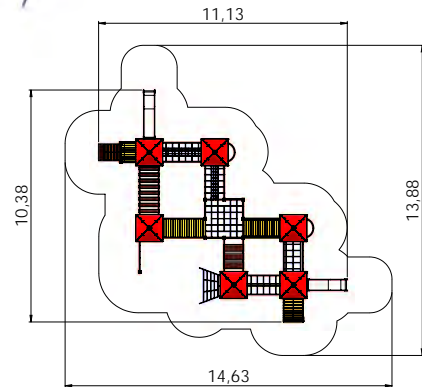
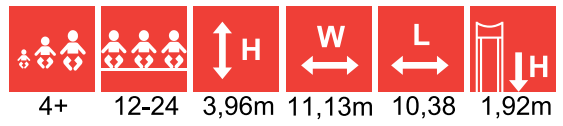
LM300-4
Multi Activity Centre OLD TOWN Maxi

BESTSELLER

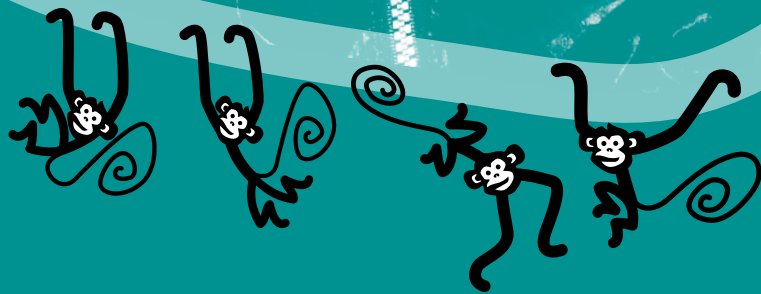


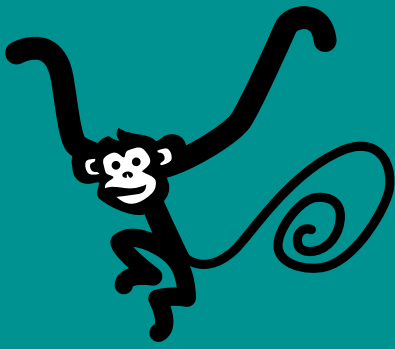
MULTI ACTIVITY

LM300-5
Multi Activity Centre OLD TOWN Midi



CLIMBING FRAMES





RS105 Climbing frame RAINBOW 110



RS116 Climbing frame MONKEY 110



RS112 Three-part climbing frame VIVO 110



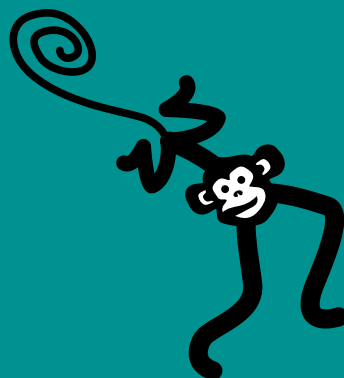
RS109 Climbing frame START 112



RS106 Climbing frame MICE 112



RS115 Climbing frame SPIDERWEB 112



CLIMBING FRAMES



RS107 Climbing frame SPIDERS 113



RS111 Climbing frame LADDER 115



RS120 Climbing frame TRIANGULUM 117



RS117 Climbing frame TWIST 113



RS102 Climbing net, 1 section 115



RS121 Climbing frame DRACO 118



RS108 Climbing frame ATHLETES 113



RS100 Climbing net, 3 sections 115



RS210 Climbing frame OCTOPUS 119



RS114 Climbing frame HEXAGON (indoor) 114



RS103 Climbing net, 2 sections 116



RS211 Climbing frame CRAB 119



RS110 Climbing frame HEXAGON 114



RS118 Climbing frame LYRA 116



RS201 Tube FOXHOLE 120



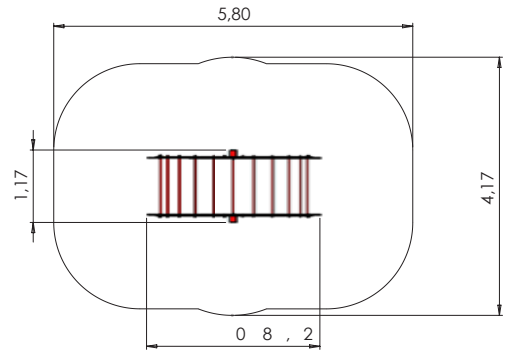
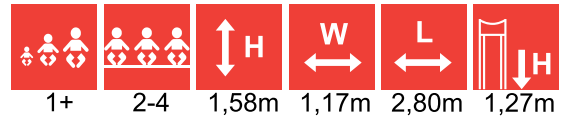
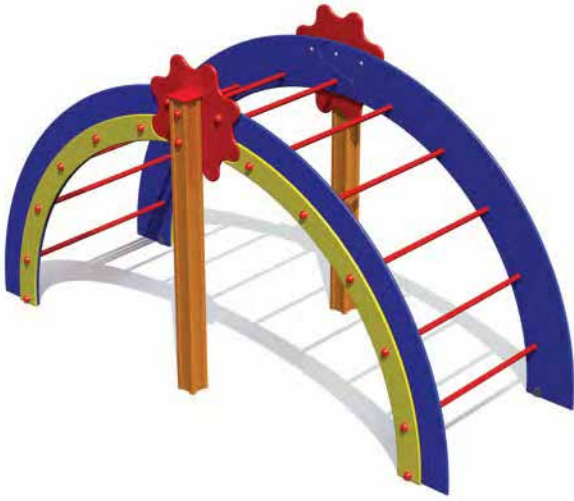
RS101 CHEESE WALL 114



RS119 Climbing frame HYDRA 116

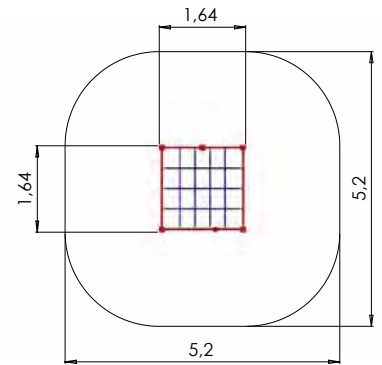
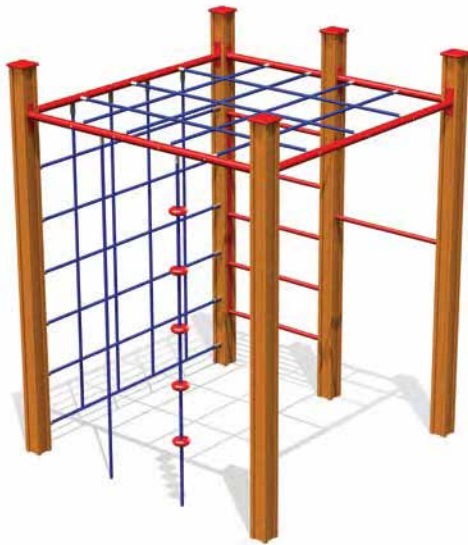
CLIMBING FRAMES

RS105 Climbing frame RAINBOW

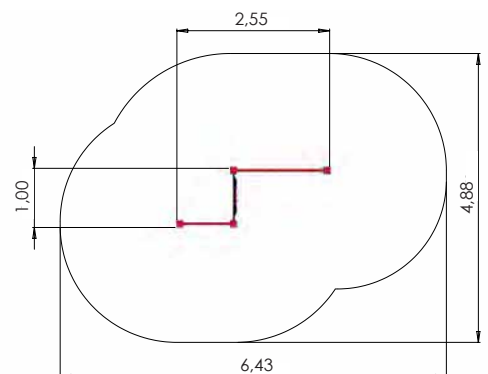


RS116 Climbing frame MONKEY

BESTSELLER



RS112 Three-part climbing frame VIVO

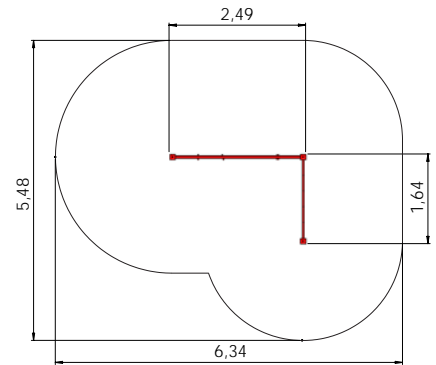
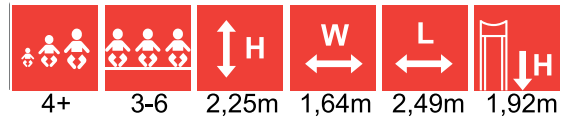
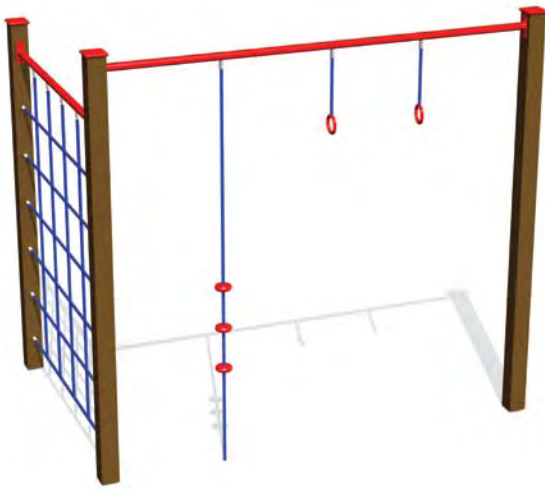


CLIMBING FRAMES

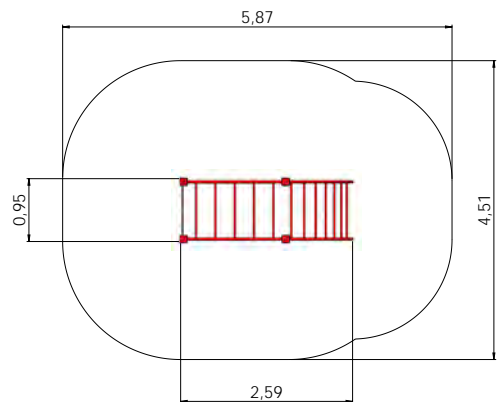
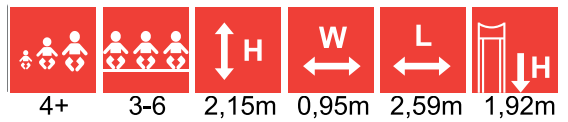


CLIMBING FRAMES

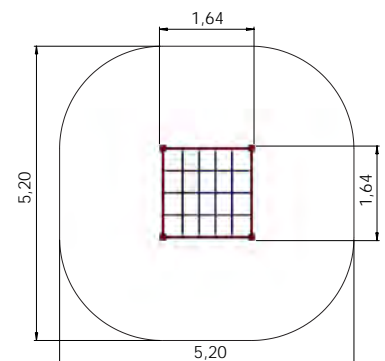
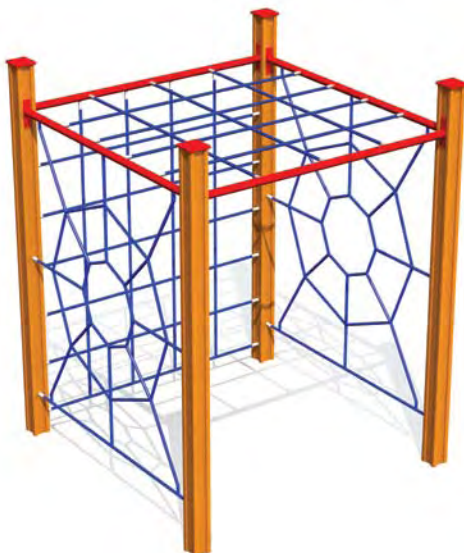
RS109 Climbing frame START



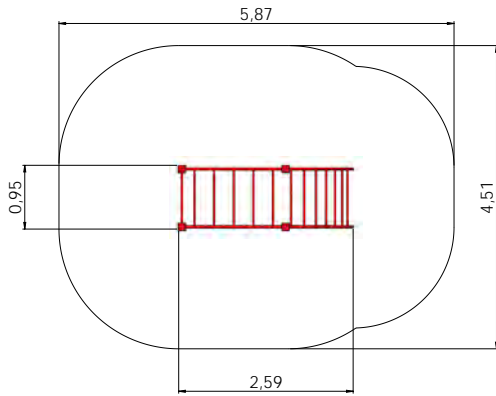
RS106 Climbing frame MICE



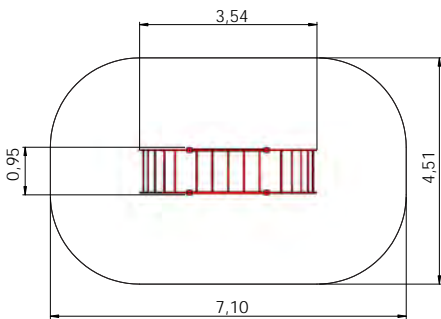
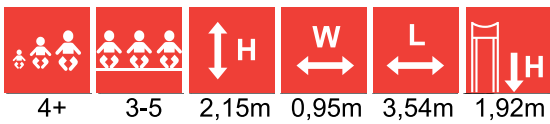
RS115 Climbing frame SPIDERWEB



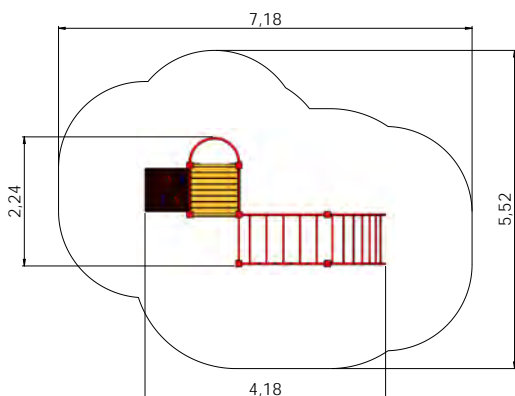
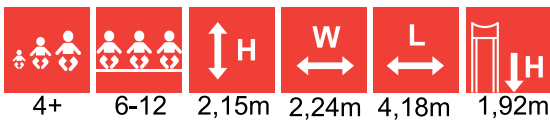
CLIMBING FRAMES



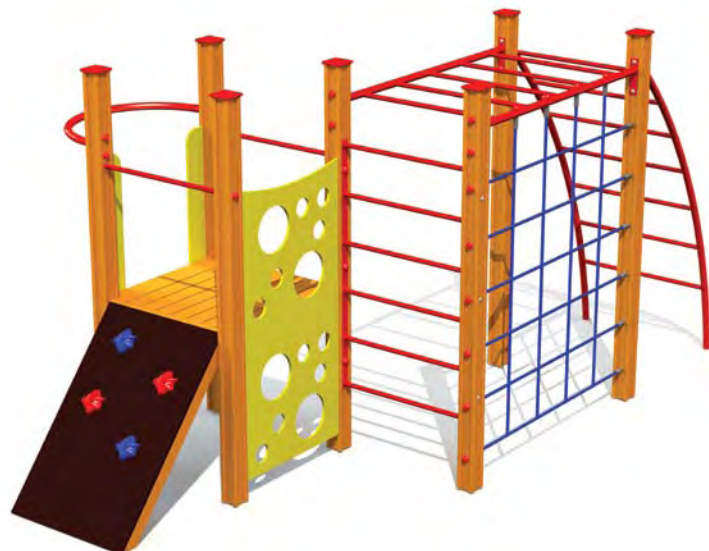
RS107 Climbing frame SPIDERS



RS117 Climbing frame TWIST

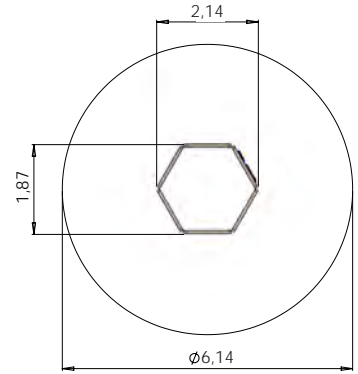
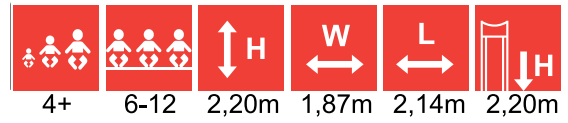


RS108 Climbing frame ATHLETES

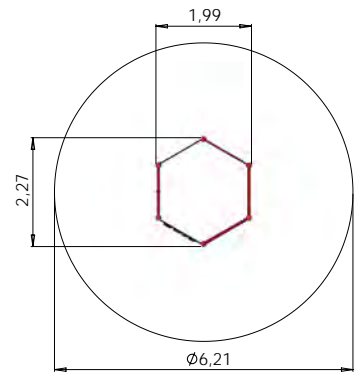
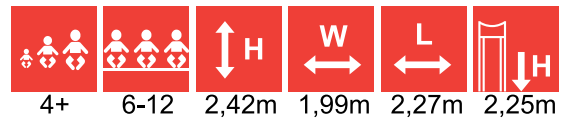
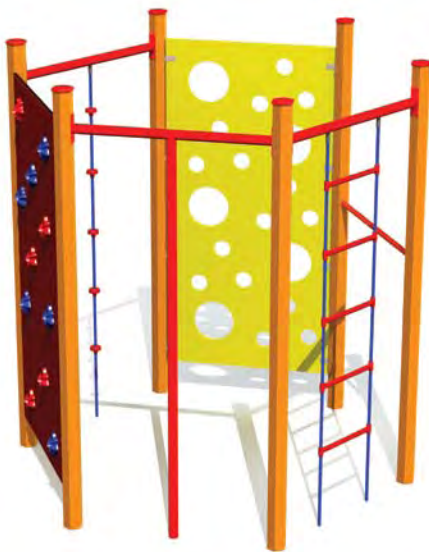


CLIMBING FRAMES

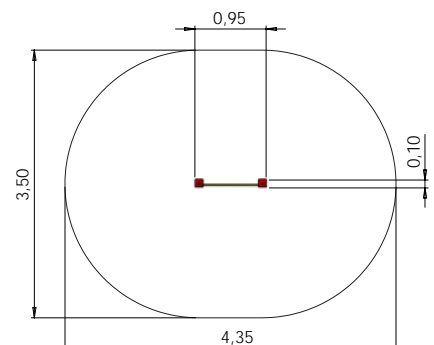
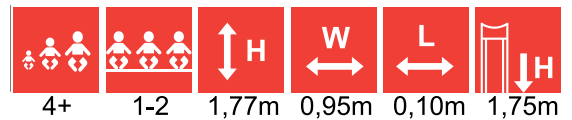
RS114 Climbing frame HEXAGON (indoor)



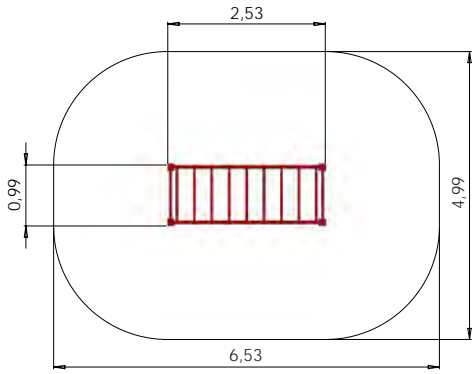
RS110 Climbing frame HEXAGON



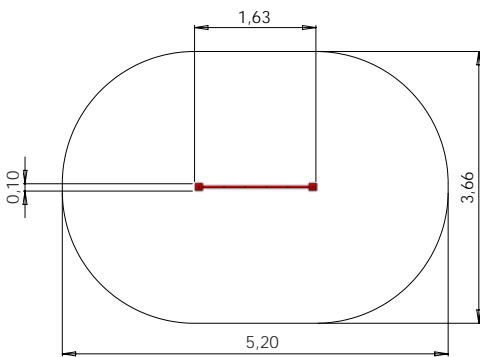
RS101 CHEESE WALL



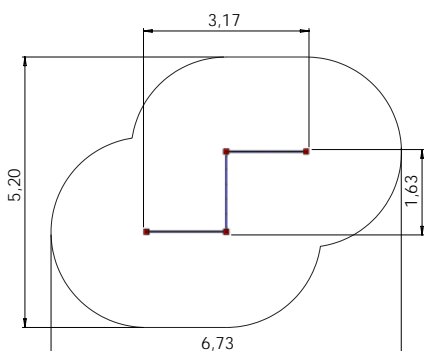
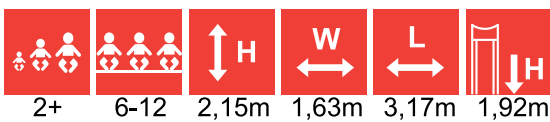
CLIMBING FRAMES



RS111 Climbing frame LADDER



RS102 Climbing net, 1 section

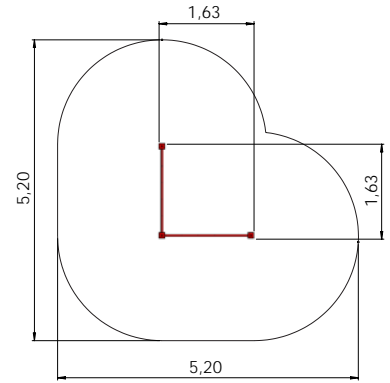
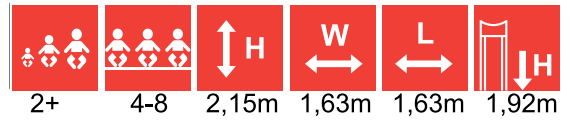


RS100 Climbing net, 3 sections

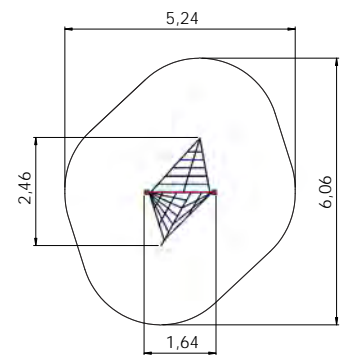


CLIMBING FRAMES

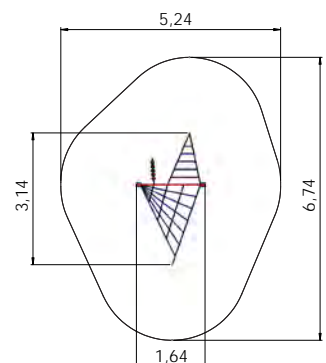
RS103 Climbing net, 2 sections



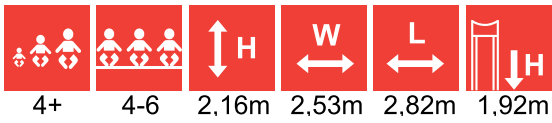
RS118 Climbing fame LYRA



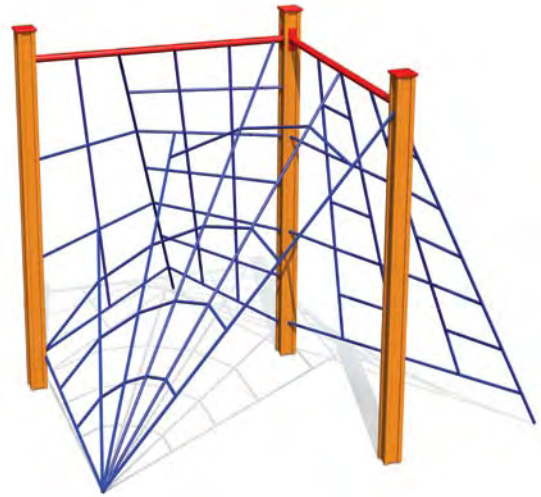
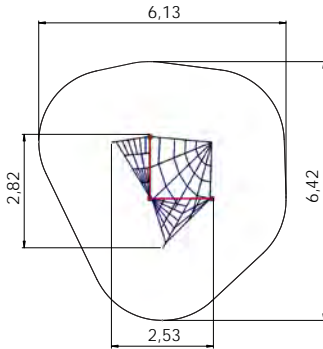
RS119 Climbing fame HYDRA



CLIMBING FRAMES









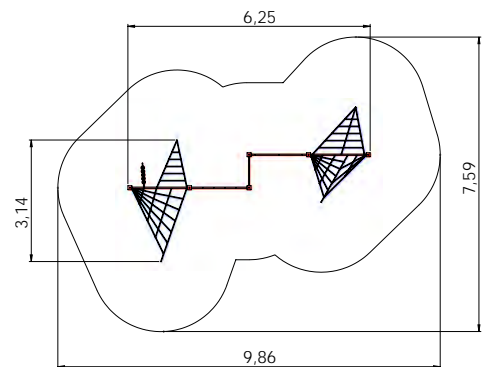
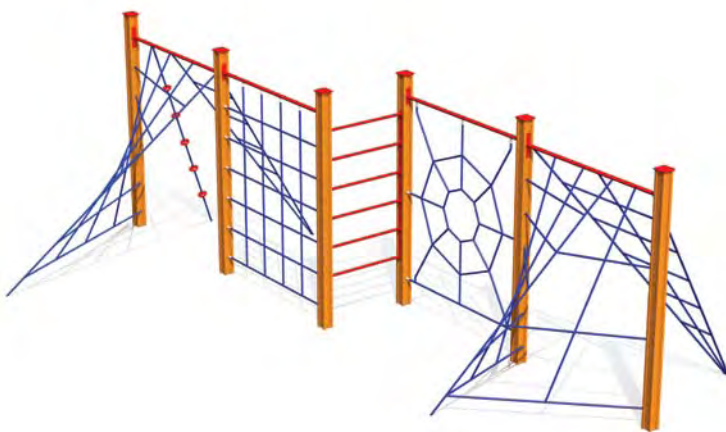
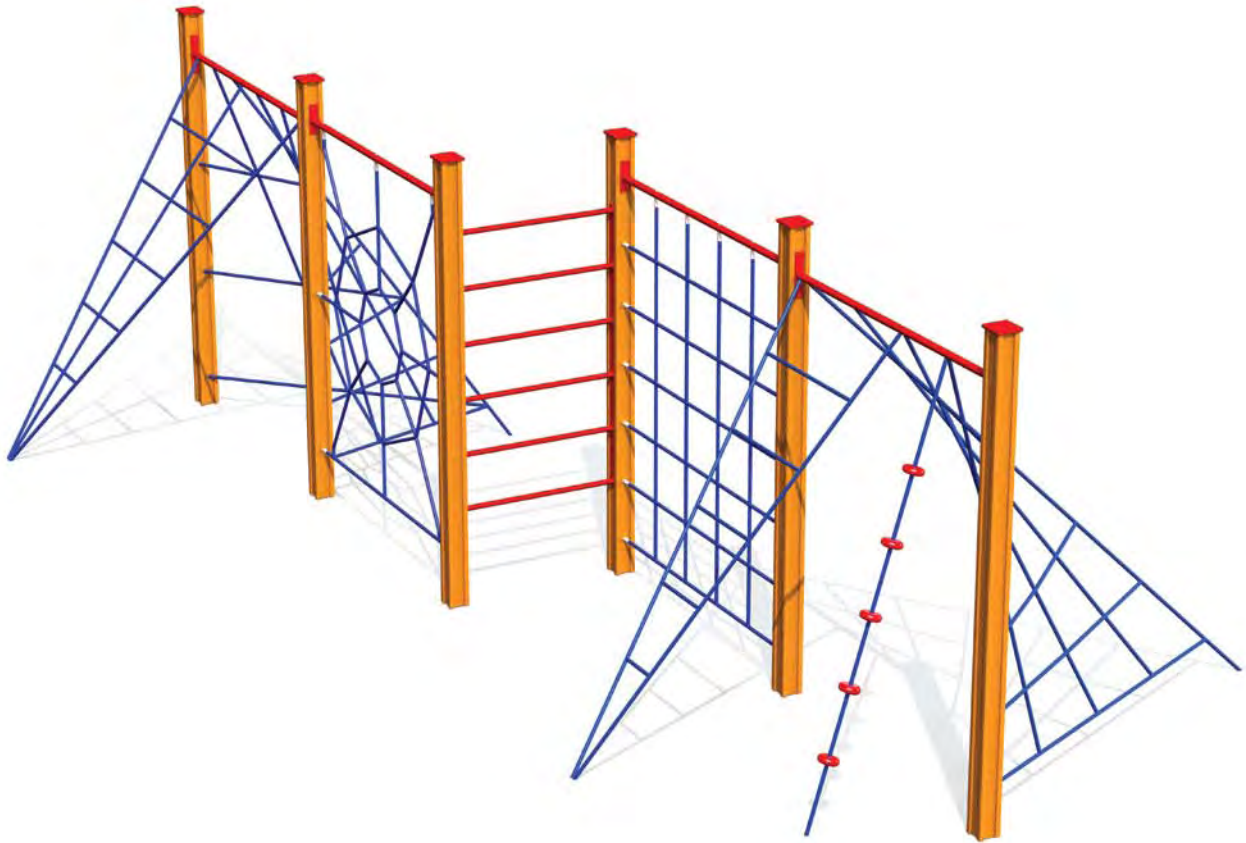
RS120 Climbing frame TRIANGULUM



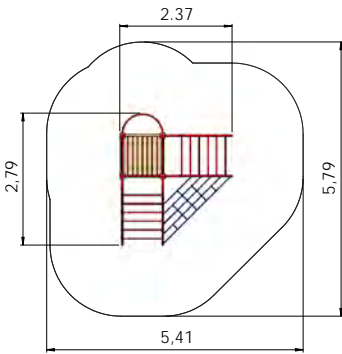
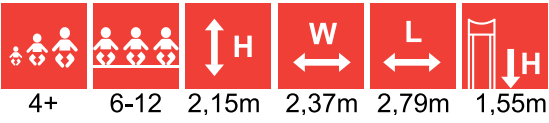
CLIMBING FRAMES

RS121 Climbing frame DRACO

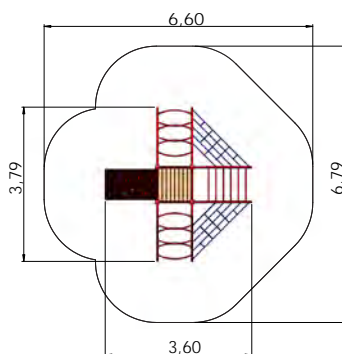
					
4+	6-12	2,15m	2,37m	2,79m	1,55m



CLIMBING FRAMES



RS210 Climbing frame OCTOPUS

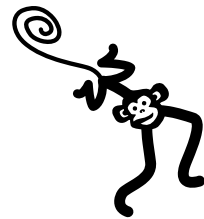
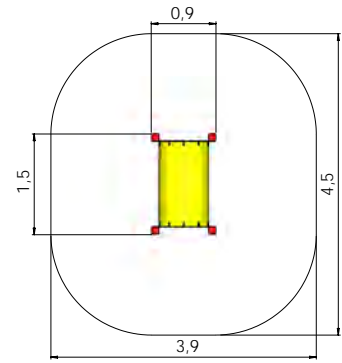
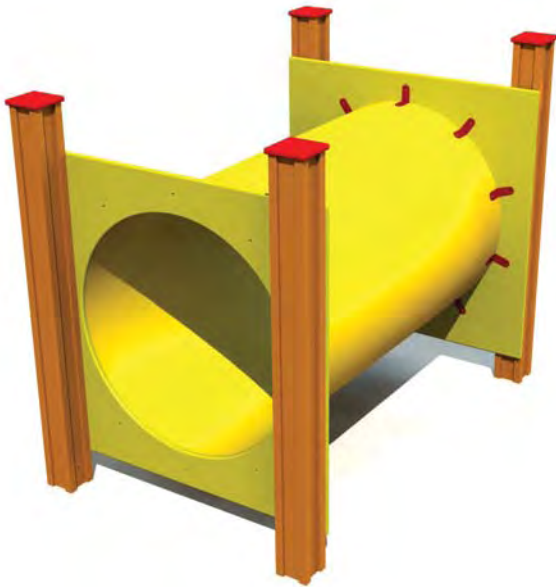
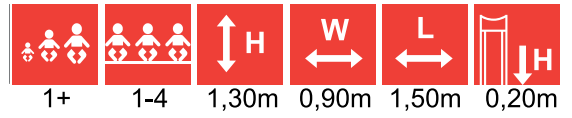


RS211 Climbing frame CRAB



CLIMBING FRAMES

RS201 Tube FOXHOLE



SWINGS





SWINGS



K003 Swing construction BABY BIRD 1 place 124



K008 Swing construction BELL-FLOWER 4 places 128



KRK1 Baby cradle seat, 2 chains, 2 fixings 131



K001 Swing construction BABY BIRD 2 places 124



K009 Swing construction BELL-FLOWER 6 places 128



KRK11, KRK15 Rope swing set BIRD NEST 131



K005 Swing construction BELL-FLOWER 1 place 124



K110 Swing construction EAGLE 1 place 129



KRK14 Tyre swing set, plastic covered chains 131



K002 Swing construction BELL-FLOWER 126



K111 Swing construction EAGLE 2 places 129



SPR100 Tarzan's track 132



K006 Swing construction BELL-FLOWER 2 places 127



K112 Swing construction CONDOR 2 places 129



SPR100-1 Tarzan's track with platform 132



K004 Swing construction BELL-FLOWER 127

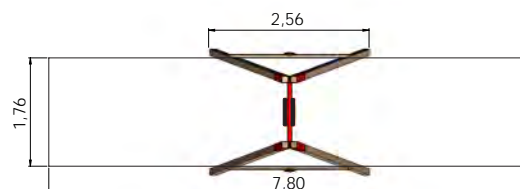
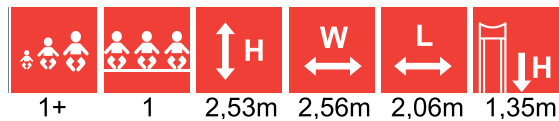


KRK2 Swing set with seat, 2 chains, 2 fixings 130

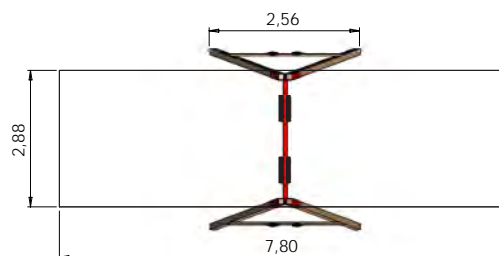
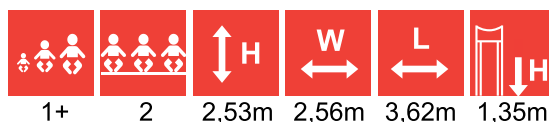


SWINGS

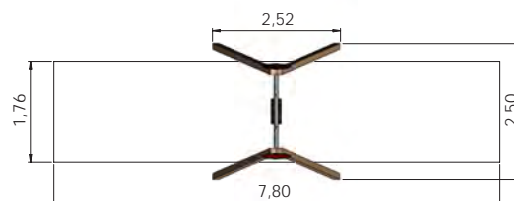
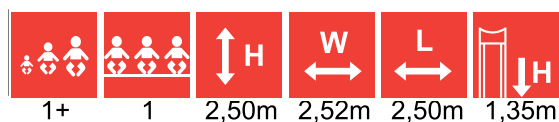
K003 Swing construction **BABY BIRD** 1 place
(without seat)



K001 Swing construction **BABY BIRD** 2 places
(without seats)



K005 Swing construction **BELL-FLOWER** 1 place
(without seat)

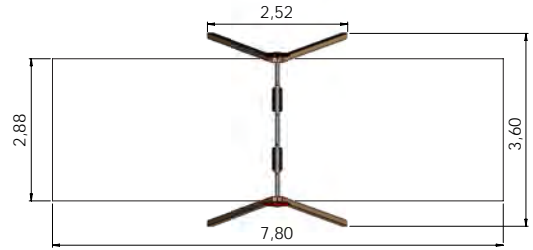
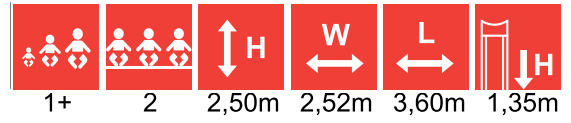


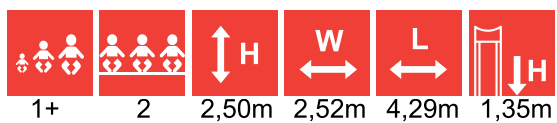


SWINGS

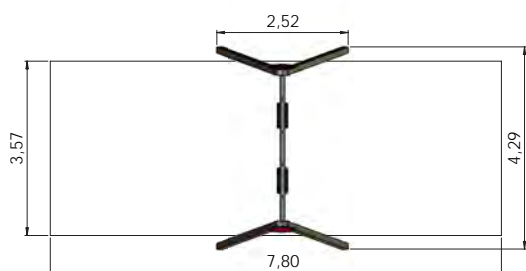
K002 Swing construction BELL-FLOWER
2 places (without seats)

BESTSELLER

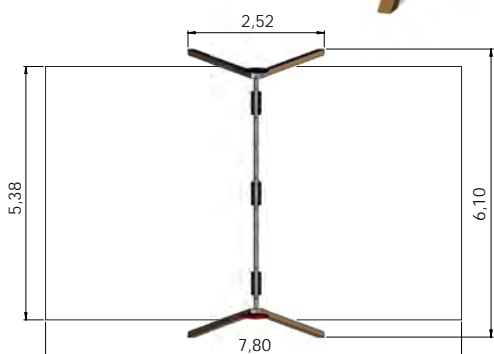




*K006 Swing construction FLOWER
2 places, intermediate pipe (without seats)*

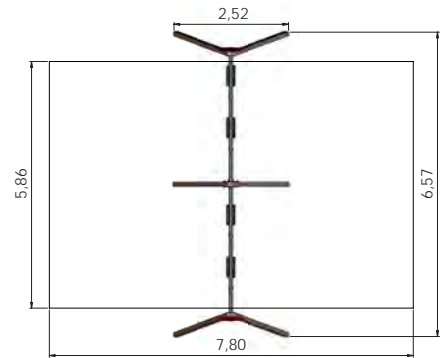
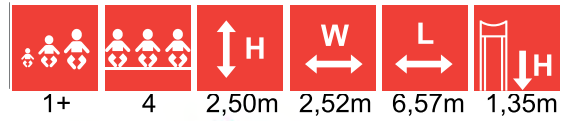


*K004 Swing construction BELL-FLOWER
3 places (without seats)*

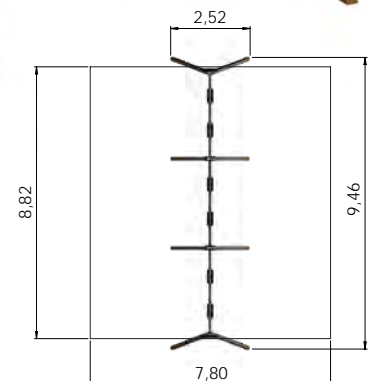


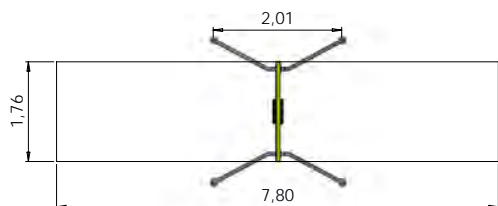
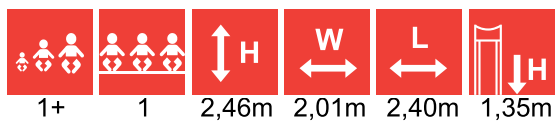
SWINGS

K008 Swing construction BELL-FLOWER
4 places (without seats)

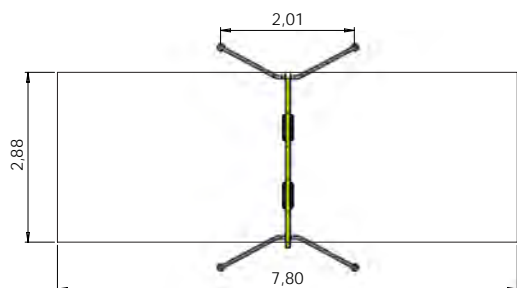
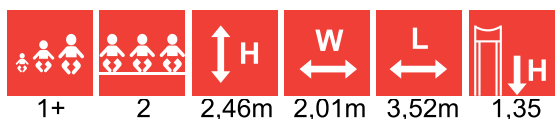


K009 Swing construction BELL-FLOWER
6 places (without seats)

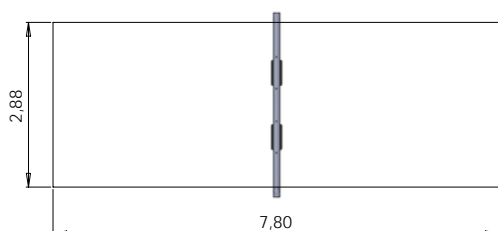
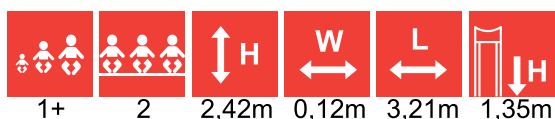




K110 Swing construction EAGLE 1 place (without seat)



K111 Swing construction EAGLE 2 places (without seats)

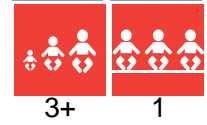


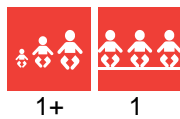
K112 Swing construction CONDOR 2 places (without seats)



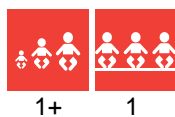
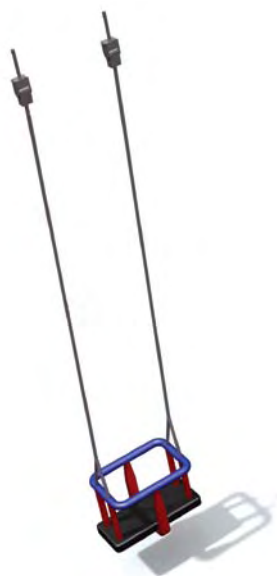
SWINGS

KRK2 Swing set with seat, 2 chains, 2 fixings





KRK1 Baby cradle seat, 2 chains, 2 fixings



*KRK11 Rope swing set BIRD NEST 1,0
KRK15 Rope swing set BIRD NEST 1,2*



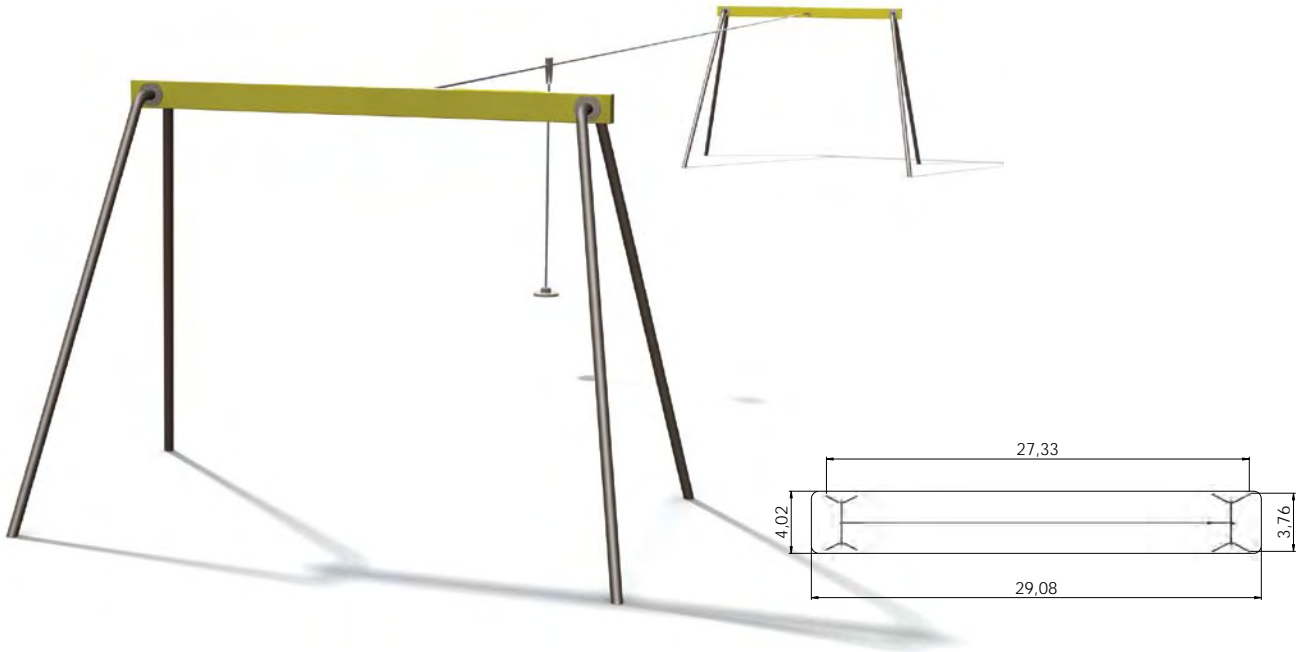
*KRK14 Tyre swing set, plastic covered chains
2 fixings*






SWINGS

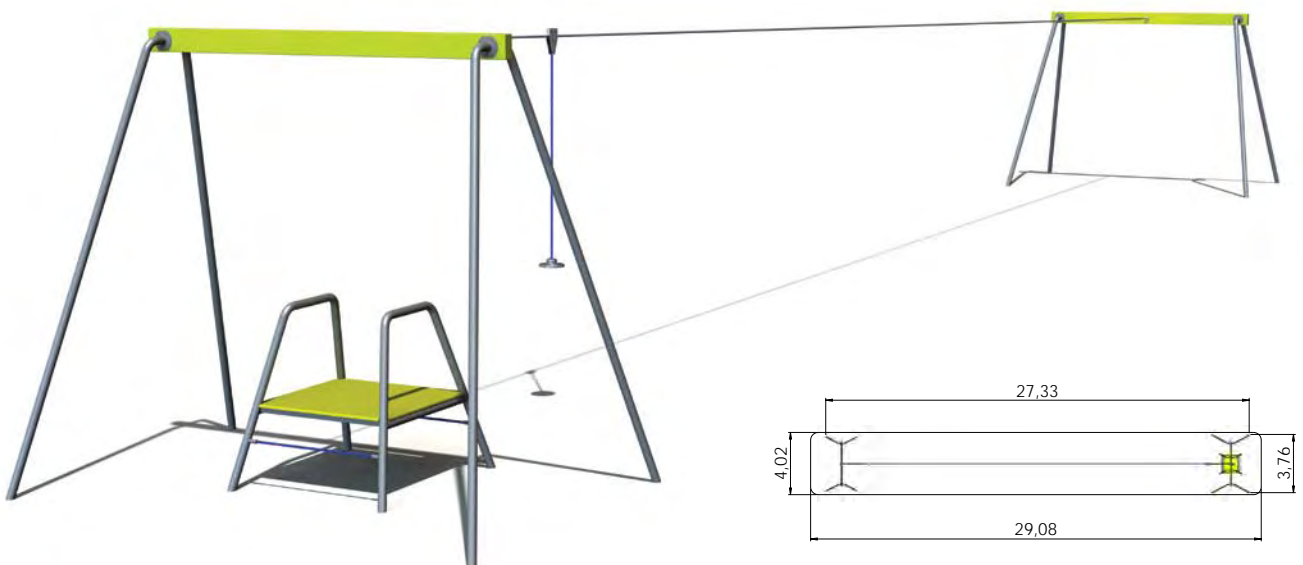
SPR100 Tarzan`s track

				
4+	1	2,46m	3,76m	25-50m

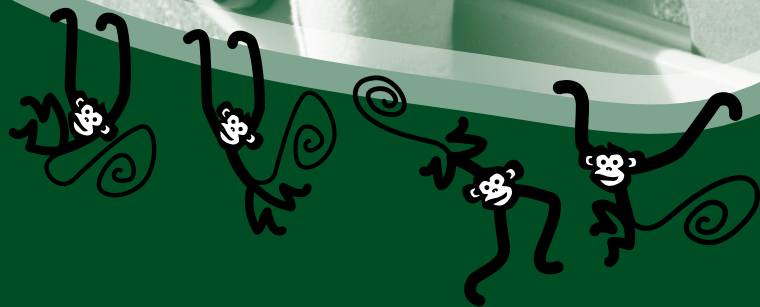


SPR100-1 Tarzan`s track with platform

				
4+	1	2,46m	3,76m	25-50m



SPRING SWINGS AND SEE-SAWS





VL036 Spring swing KITTY

136



VL037 Spring swing TIBBY

136



VL033 Spring swing BRUNO

136



VL034 Spring swing ALEX

138



VL035 Spring swing MOBI

138



VL039 Spring swing WILBUR

138

SPRING SWINGS AND SEE-SAWS



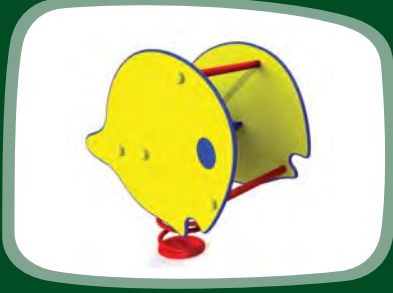
VL049 Spring swing SPEEDY 139



K106 See-saw CLAM 141



K104 See-saw TODDLER 4 seats 144



VL038 Spring swing CORA 139



K102 See-saw BUBBLE 141



K105 See-saw TODDLER 2 seats with backrest 144



VL145 Spring swing BEETLE 139



VL144 Spring swing FLOWER (4-seats) 142



VL146 Spring swing HUMMER 140



VL149 Spring swing DUO 142



VL147 Spring swing PONY 140



VL9008 TUBE with springs 142



VL148 See-saw CASPER 140



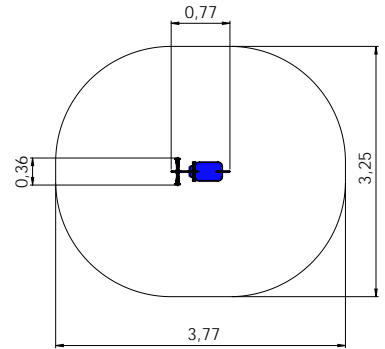
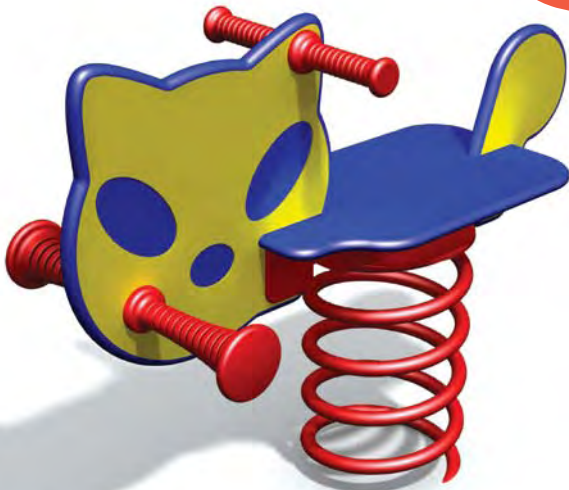
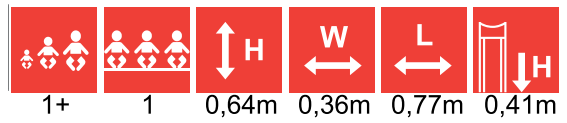
K103 See-saw TODDLER 2 seats 144



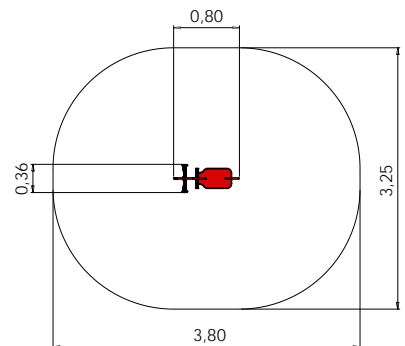
SPRING SWINGS AND SEE-SAWS

VL036 Spring swing KITTY

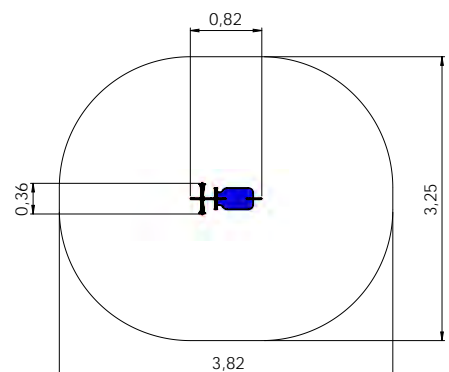
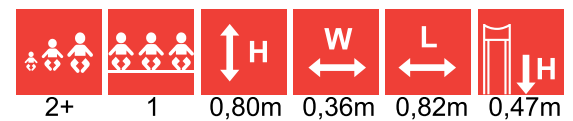
BESTSELLER



VL037 Spring swing TIBBY



VL033 Spring swing BRUNO

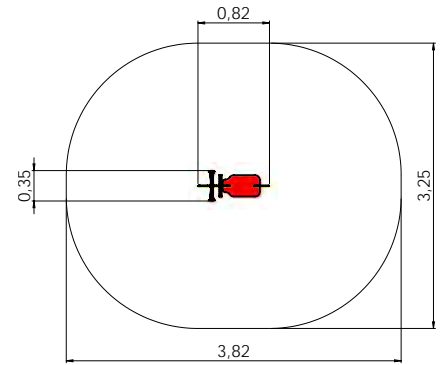


SPRING SWINGS AND SEE-SAWS

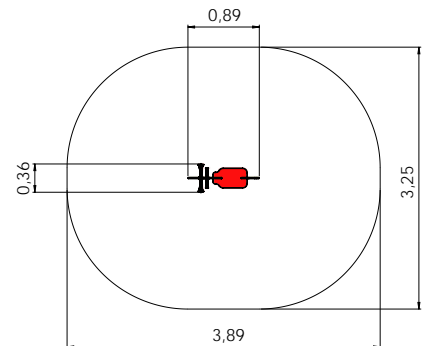
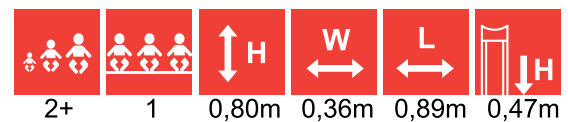


SPRING SWINGS AND SEE-SAWS

VL034 Spring swing ALEX

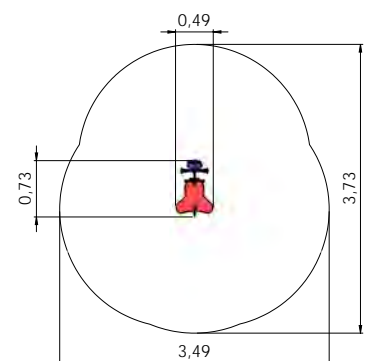
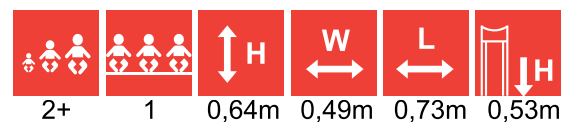


VL035 Spring swing MOBI

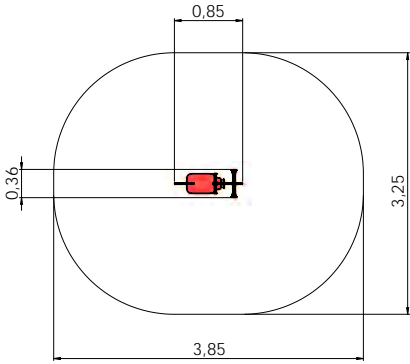
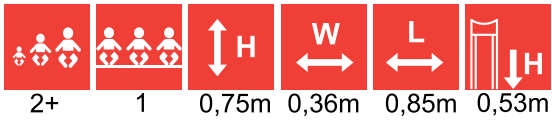


VL039 Spring swing WILBUR

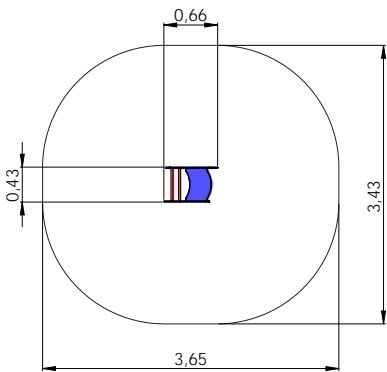
NEW!



SPRING SWINGS AND SEE-SAWS

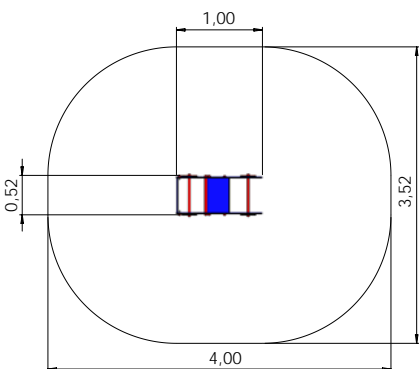
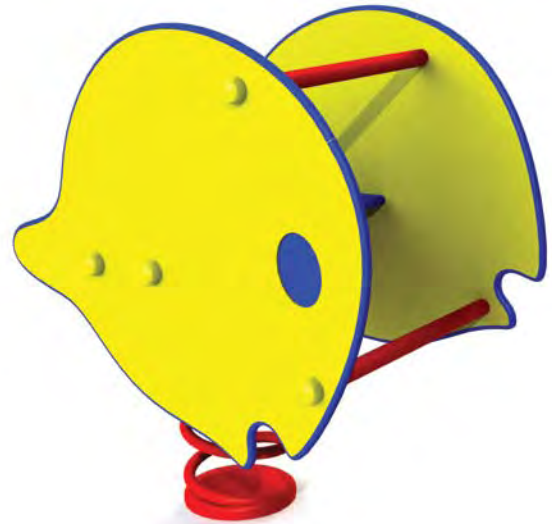


VL049 Spring swing *SPEEDY*



NEW!

VL038 Spring swing *CORA*



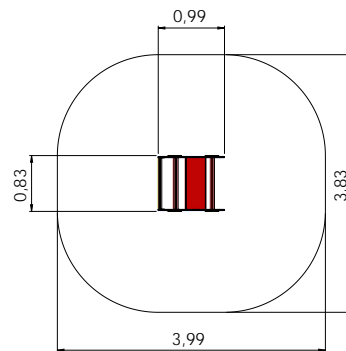
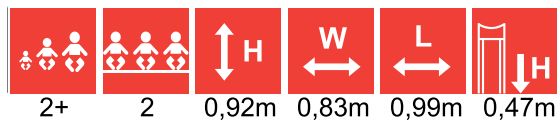
VLI45 Spring swing *BEETLE*



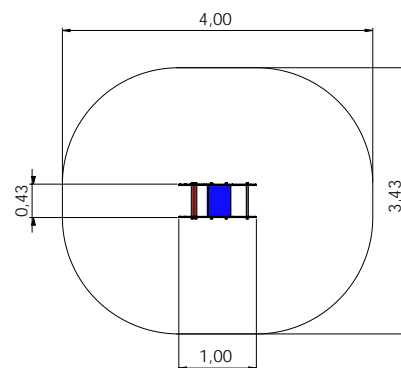
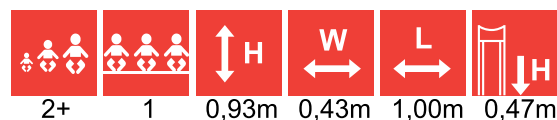
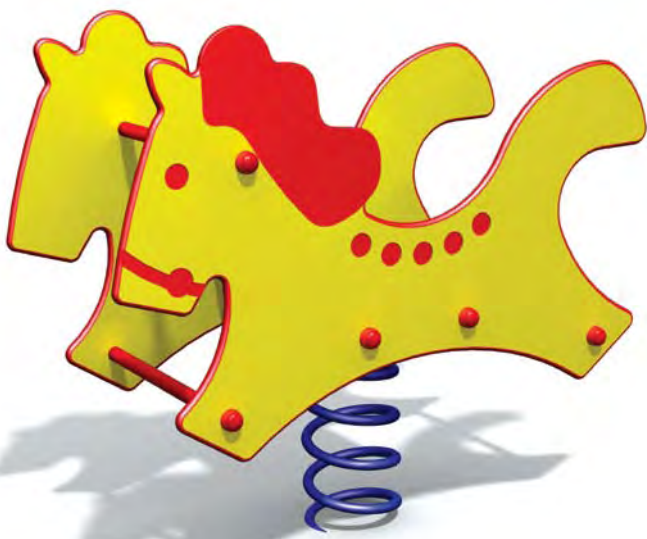
SPRING SWINGS AND SEE-SAWS

VLI46 Spring swing HUMMER

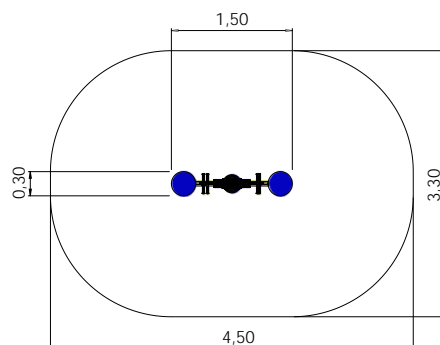
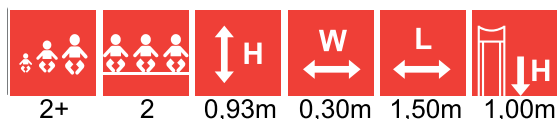
BESTSELLER



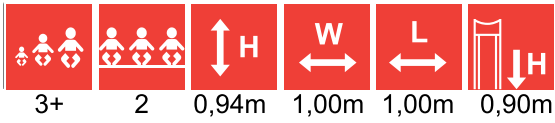
VLI47 Spring swing PONY



VLI48 See-saw CASPER

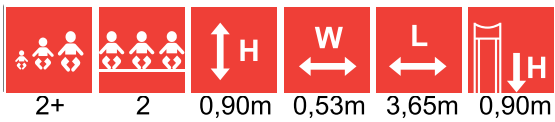
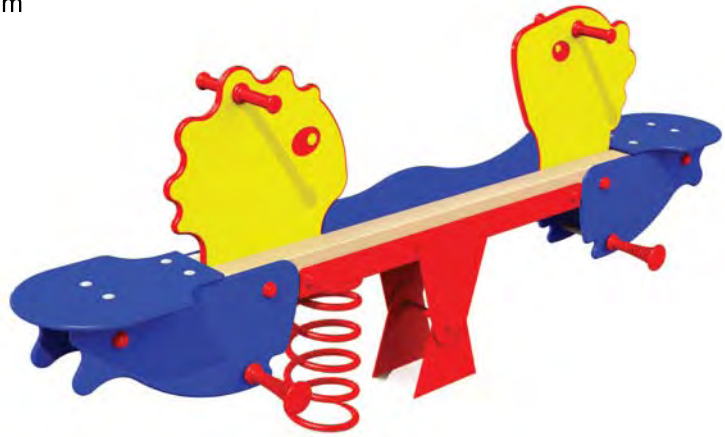
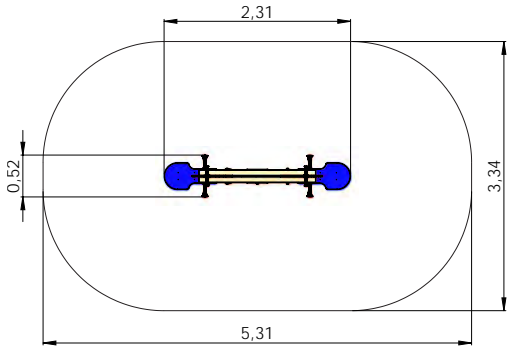


SPRING SWINGS AND SEE-SAWS

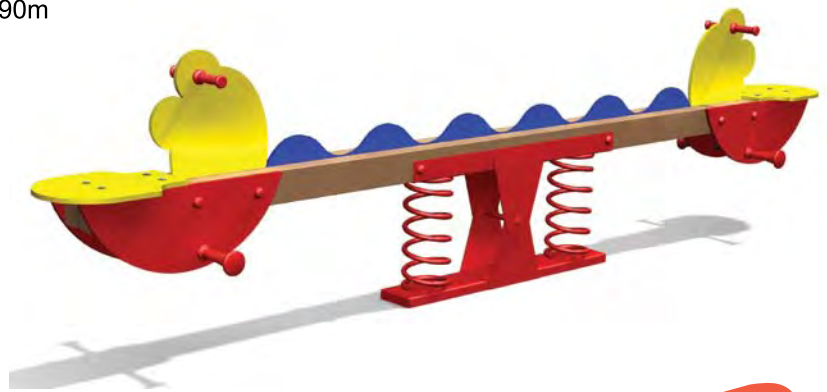
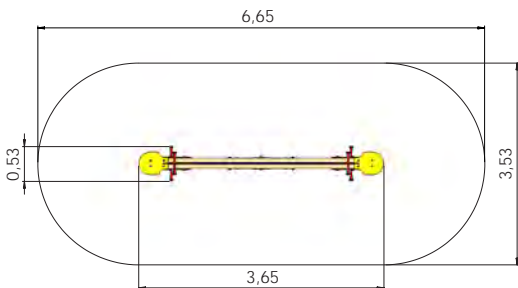


NEW!

K106 See-saw CLAM



K102 See-saw BUBBLE

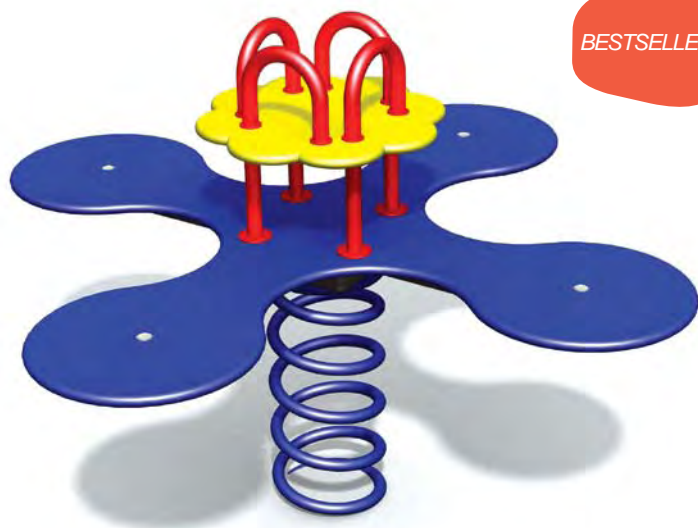


BESTSELLER



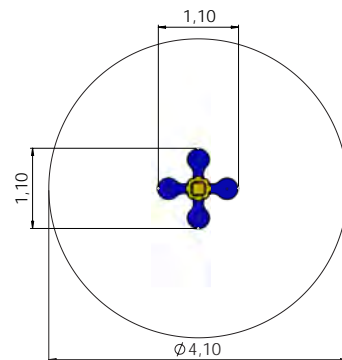
SPRING SWINGS AND SEE-SAWS

VLI44 Spring swing FLOWER (4-seats)



BESTSELLER

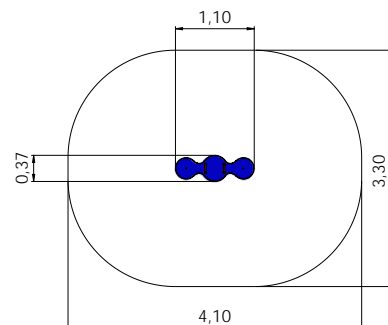
3+	2	0,94m	1,00m	1,00m	0,90m



VLI49 Spring swing DUO



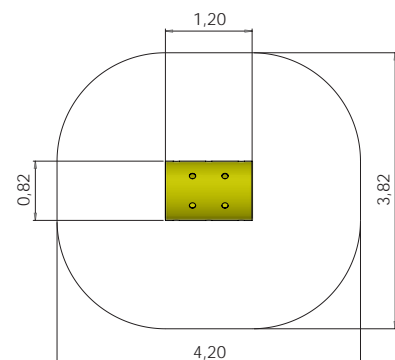
2+	2	0,59m	0,37m	1,10m	1,00m



VL9008 TUBE with springs



2+	1-3	1,00m	0,82m	1,20m	1,00m



SPRING SWINGS AND SEE-SAWS

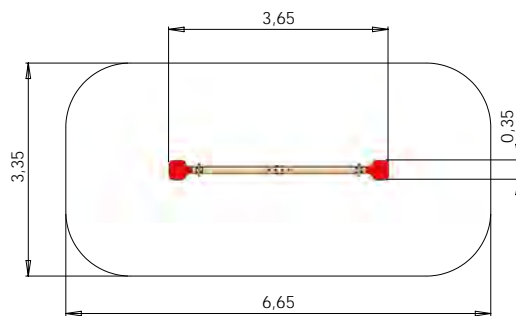
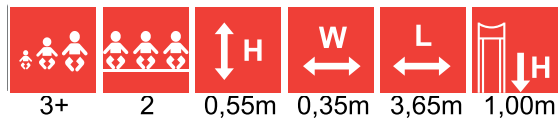


SPRING SWINGS AND SEE-SAWS

K103 See-saw TODDLER 2 seats



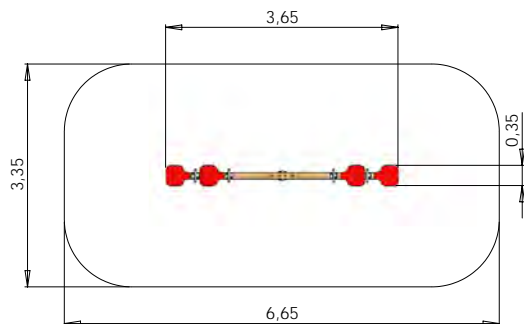
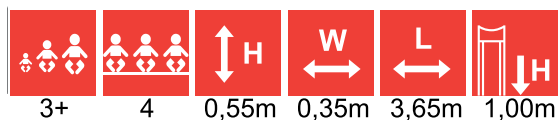
BESTSELLER



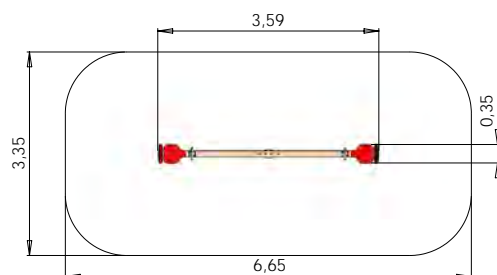
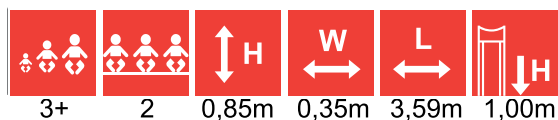
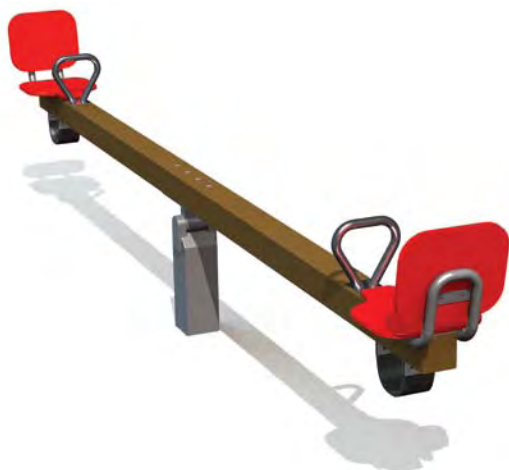
K104 See-saw TODDLER 4 seats



BESTSELLER



K105 See-saw TODDLER 2 seats with backrest



THEME PLAY





LAB001 LABYROOM L-panel set 148



MM402 Playhouse with slope BUFFET 3 150



MM102 LOCOMOTIVE 153



MM301 Playhouse APPLE 149



MM403 Playhouse BUFFET with terrace 151



MM103 Playtrain GALAXY EXPRESS 153



MM302 Playhouse APPLE with BUSHES 149



LMK003-1 Play Centre BABY 151



LM301 Playship GRANT 153



MM001 Playhouse KIOSK 149



MM114 Playhouse WIGWAM 151



MM116 Playship CAPTAIN DRUM 154



MM400 Playhouse BUFFET 150



MM101 Playtrain CHOO-CHOO 152



MM122 Playship GUSTAV VASA 156



MM401 Playhouse BUFFET 2 150



MM101-1 Playtrain CHOO-CHOO long 152



MM118 Playship NOA 157

THEME PLAY



MM119 Playship FRAM 158



MM120 Playboat TOPU 162



IPR801 Set for a group of children SNAIL 164



MM112 Playbus BUS 160



MM121 Playboat UKU 162



IPR802 Set for a group of children CROCO 165



MM111 Playcar MERCEDES 160



IPK103 Seat and play table SNAIL 162



IPL602 Table (oval) 165



MM110 Playcar POLICE 161



IPK201 Two-sided seat CROCO 163



IPL601 Table (round) 165



MM113 Playcar AMBULANCE 161



IPK102 Two-sided seat SNAIL 164



LKA001 Box for toys 166



MM130 Playcar EMERGENCY 161



IPK202 Two-sided seat CROCO 164








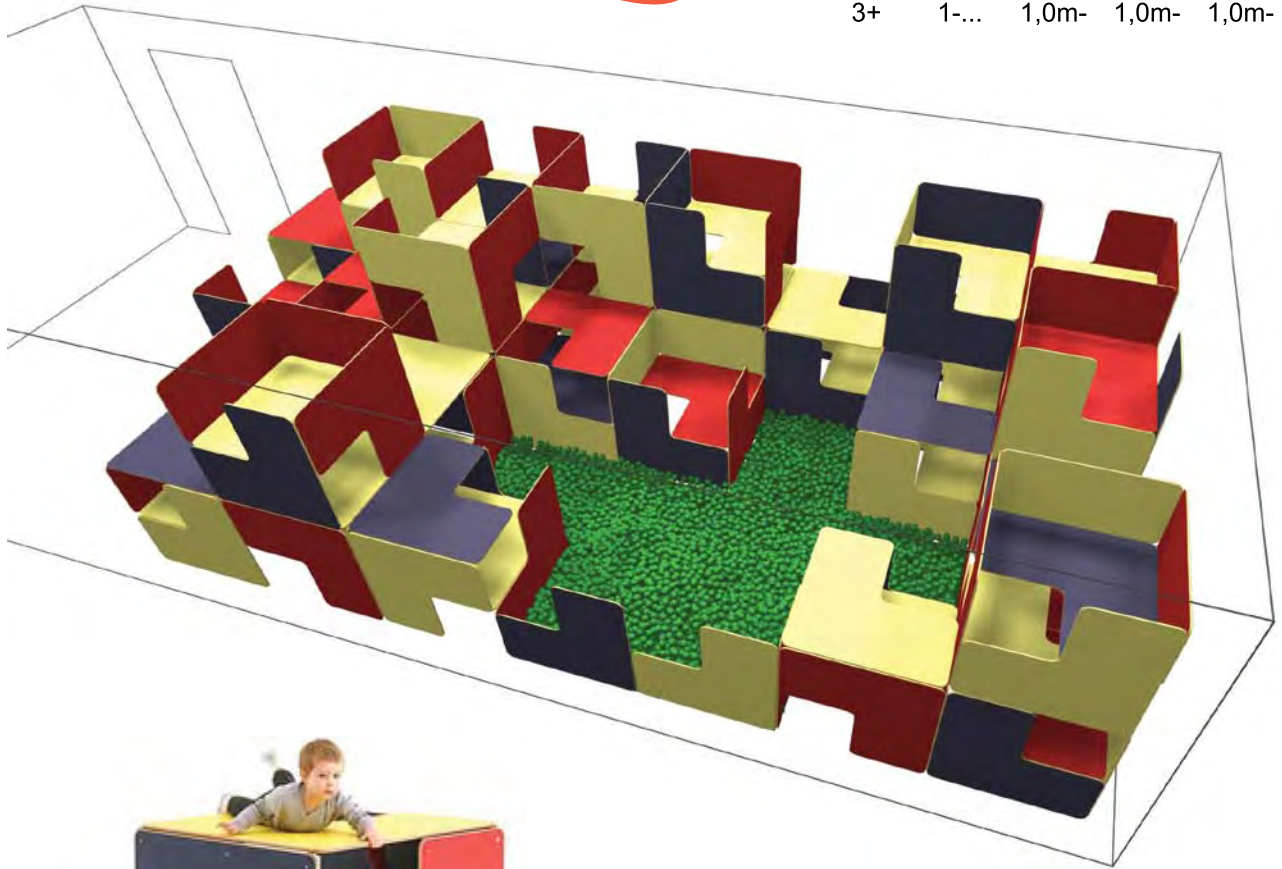
TAH001 Blackboard 166

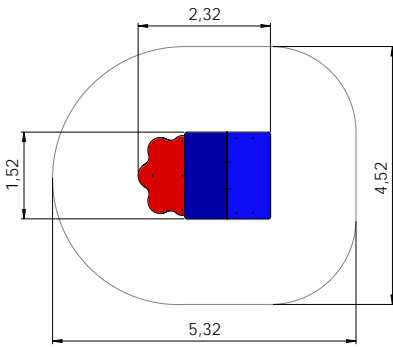
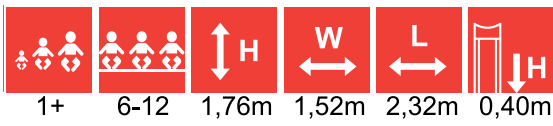
THEME PLAY

LAB001 LABYROOM L-panel set
with fixing accessories

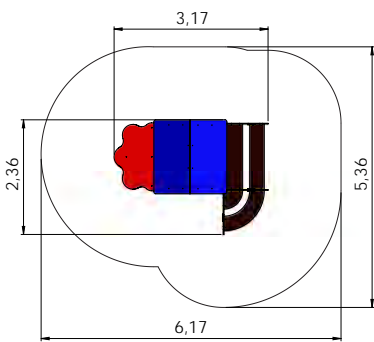
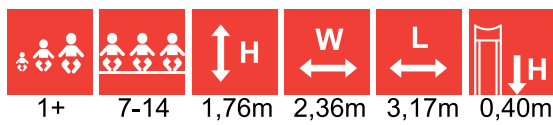
BESTSELLER

				
3+	1-...	1,0m-	1,0m-	1,0m-

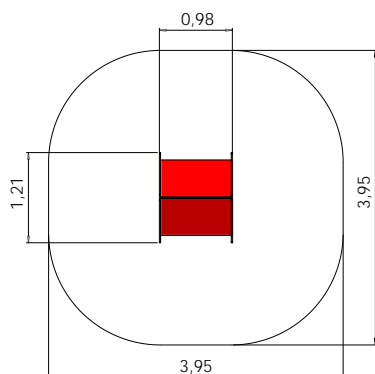
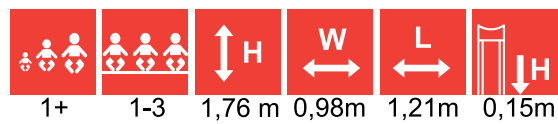




MM301 Playhouse APPLE



MM302 Playhouse APPLE with BUSHES

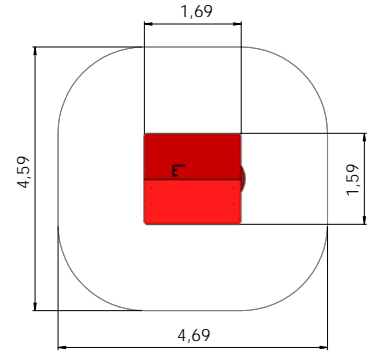
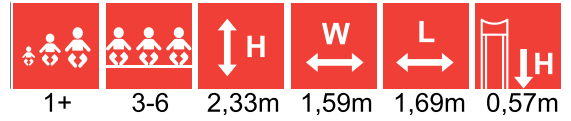


MM001 Playhouse KIOSK

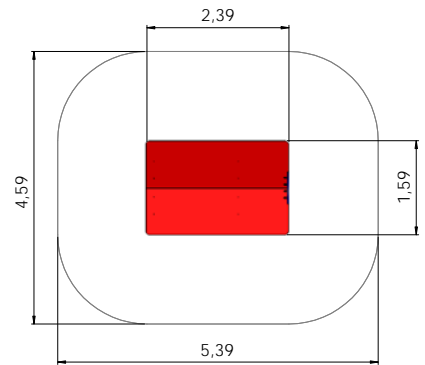
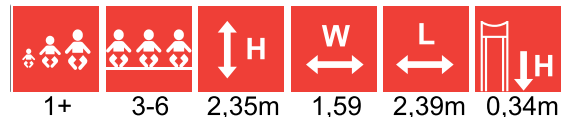


THEME PLAY

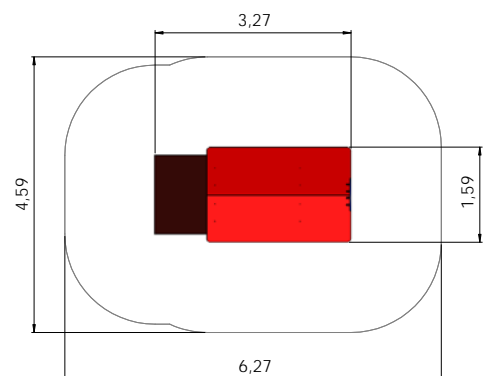
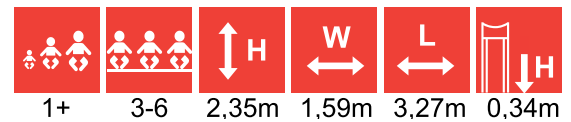
MM400 Playhouse BUFFET

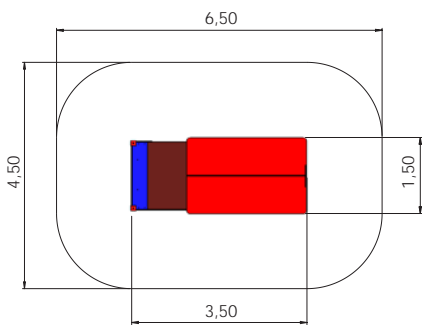
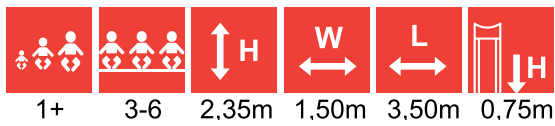


MM401 Playhouse BUFFET 2

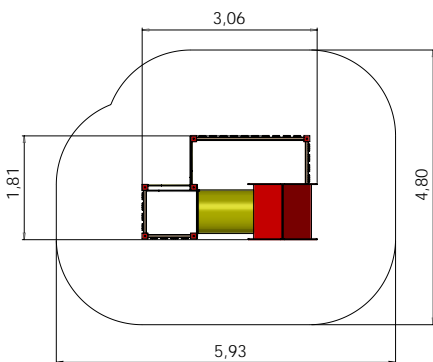
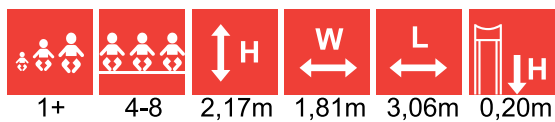


MM402 Playhouse with slope BUFFET 3

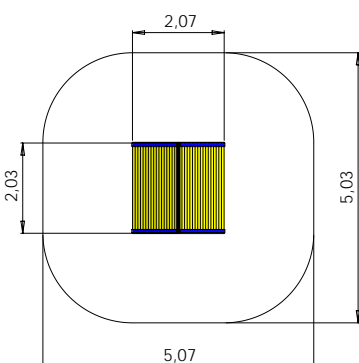
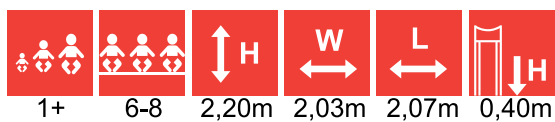




MM403 Playhouse BUFFET with terrace



LMK003-1 Play Centre BABY



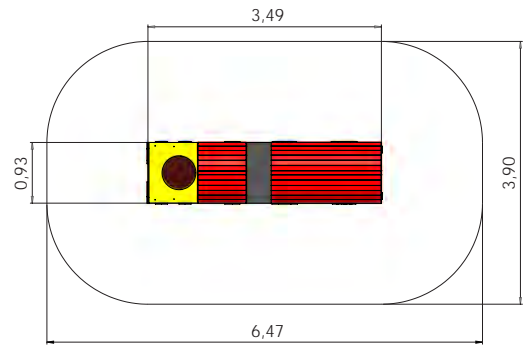
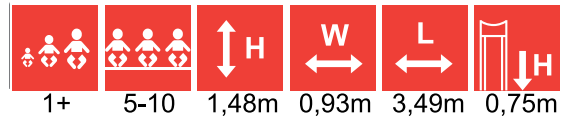
MM114 Playhouse WIGWAM



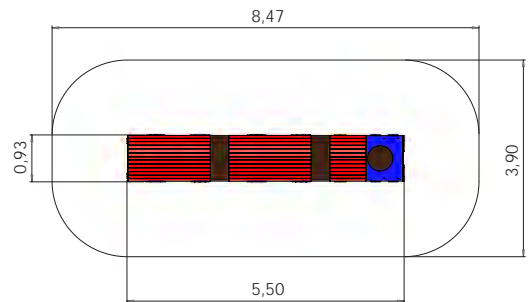
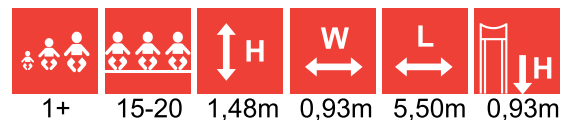
THEME PLAY

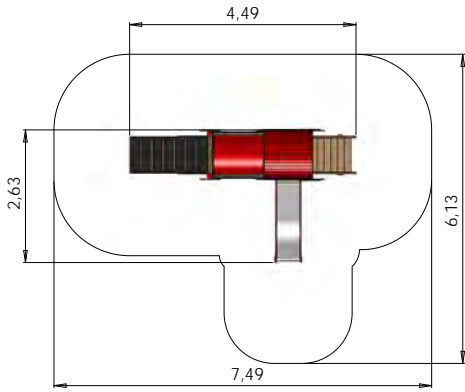
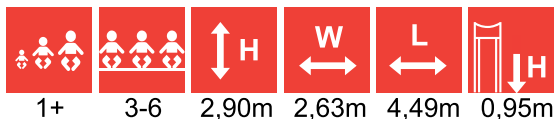
MM101 Playtrain CHOO-CHOO

BESTSELLER

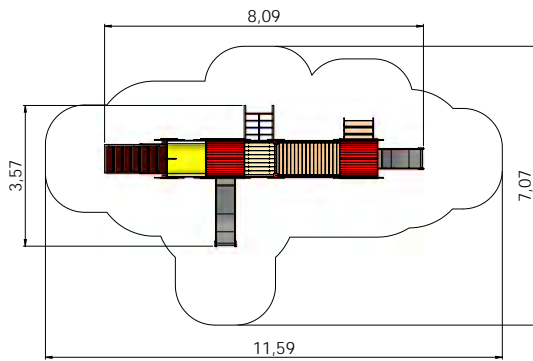


MM101-1 Playtrain CHOO-CHOO long



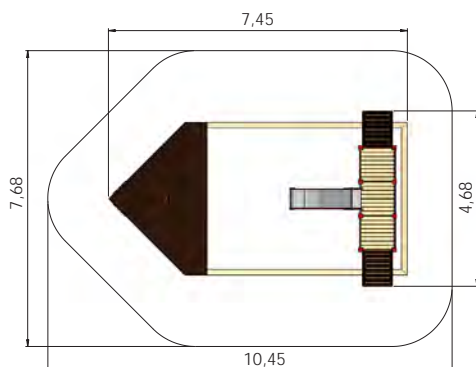
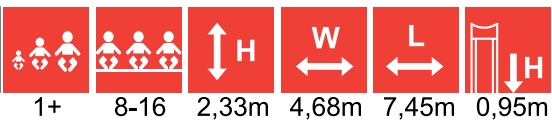


MM102 LOCOMOTIVE



MM103 Playtrain GALAXY EXPRESS

NEW!



LM301 Playship GRANT

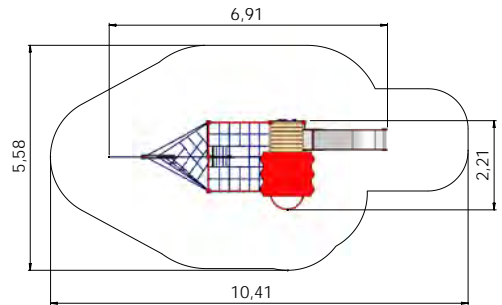


THEME PLAY

MM116 Playship CAPTAIN DRUM

BESTSELLER

					
4+	6-15	3,02m	2,21m	6,91m	1,92m

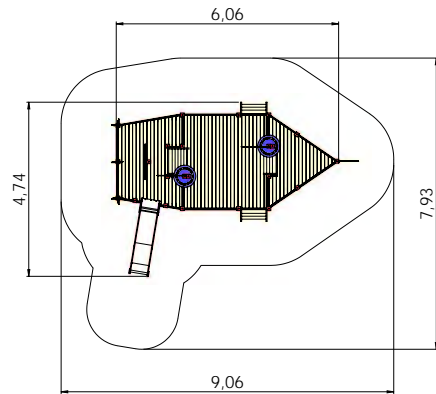
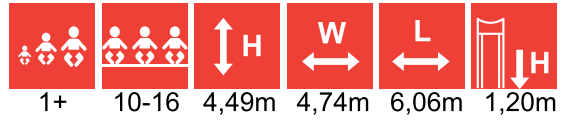




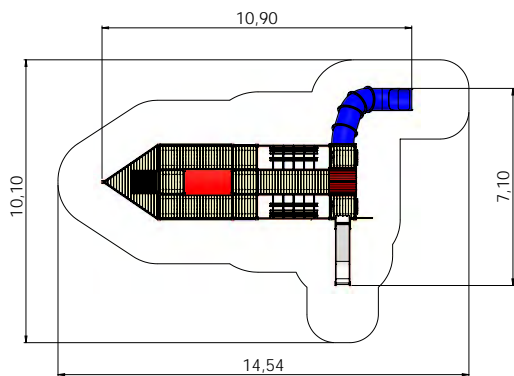
THEME PLAY

MM122 Playship GUSTAV VASA

NEW!









MM118 Playship NOA

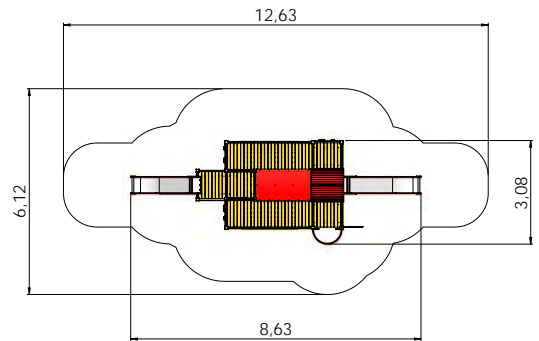


THEME PLAY

MM119 Playship FRAM

					
4+	8-16	4,05m	3,08m	8,63m	1,55m

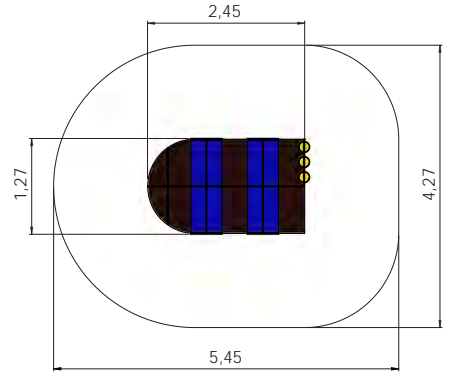
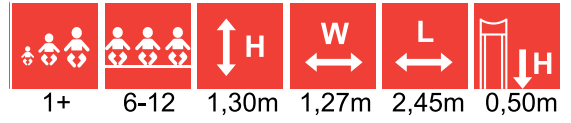
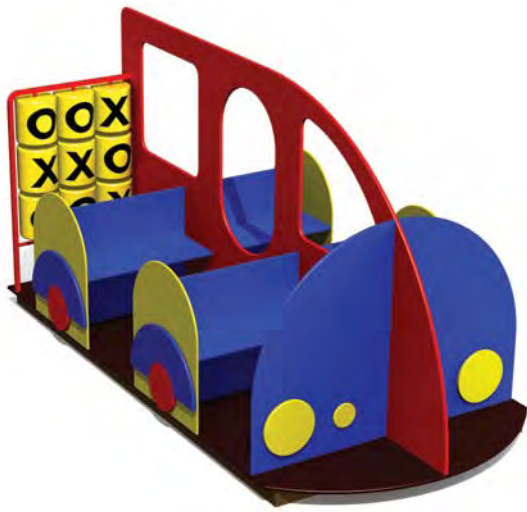
NEW!



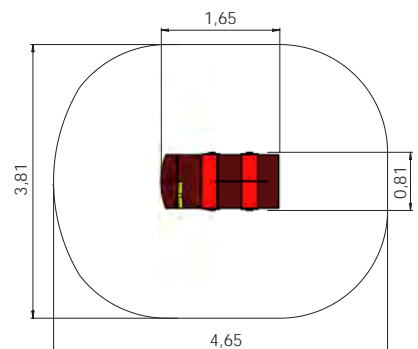
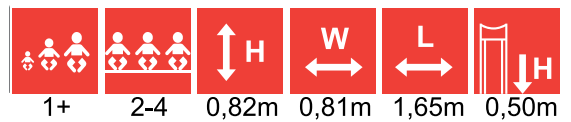


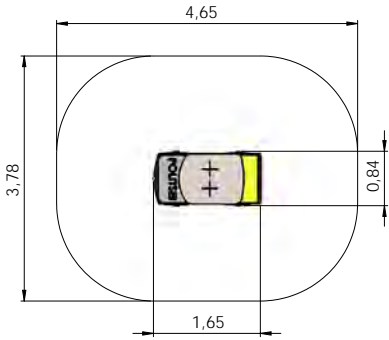
THEME PLAY

MM112 Playbus BUS



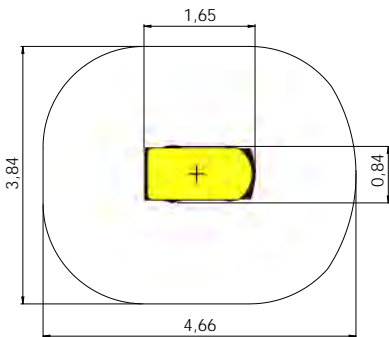
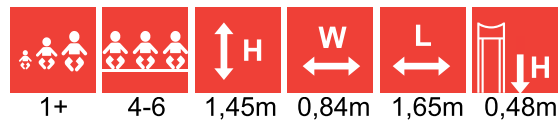
MM111 Playcar MERCEDES





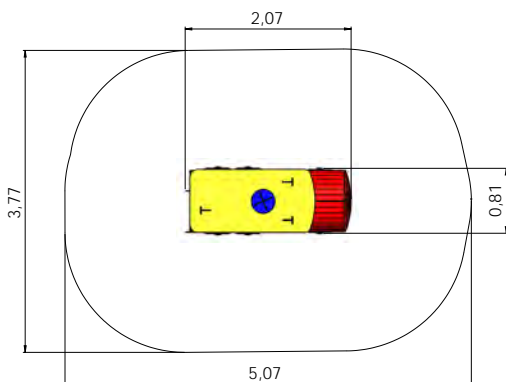
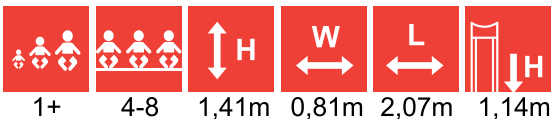
NEW!

MM110 Playcar POLICE



NEW!

MM113 Playcar AMBULANCE



NEW!

MM130 Playcar EMERGENCY



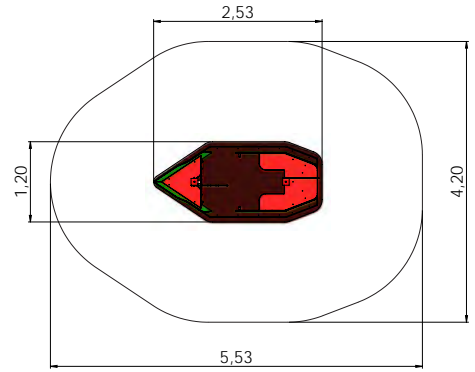
THEME PLAY

MM120 Playboat TOPU

NEW!



1+	3-6	1,85m	1,20m	2,53m	0,37m

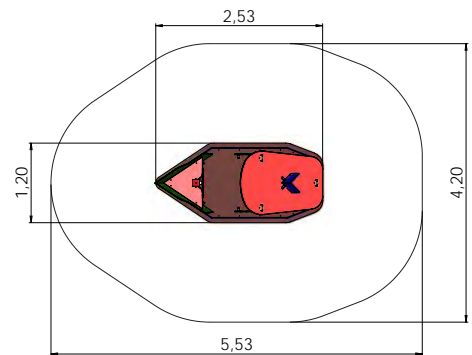


MM121 Playboat UKU

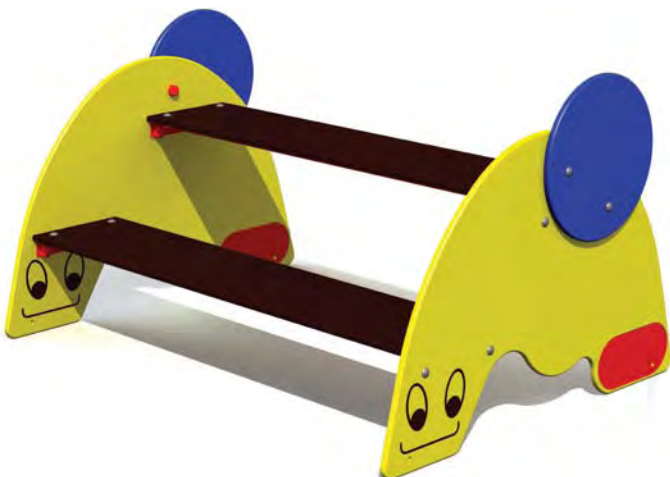
NEW!









1+	3-6	1,66m	1,20m	2,53m	0,37m



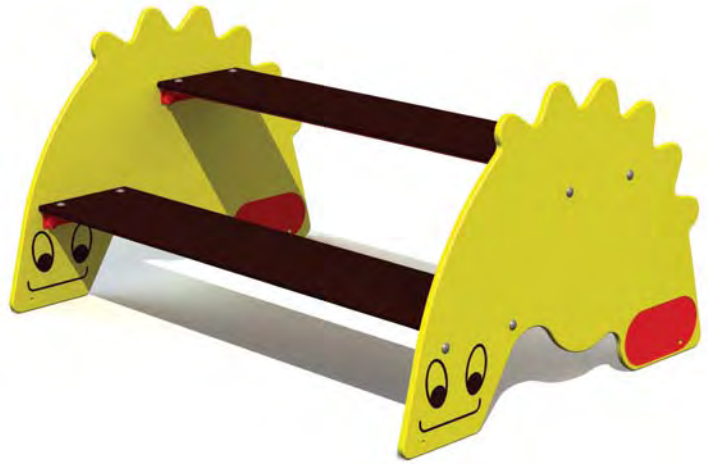
IPK103 Seat and play table SNAIL









1+	1-3	0,76m	0,96m	1,26m	0,35m

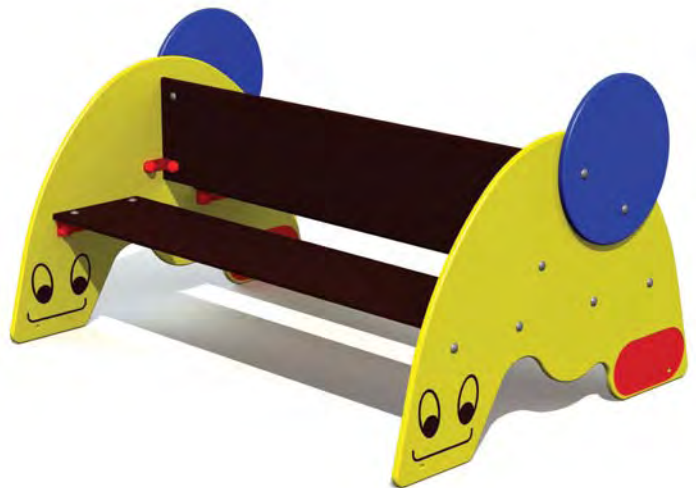
					
1+	1-3	0,70m	0,96m	1,26m	0,35m


IPK203 Seat and play table CROCO



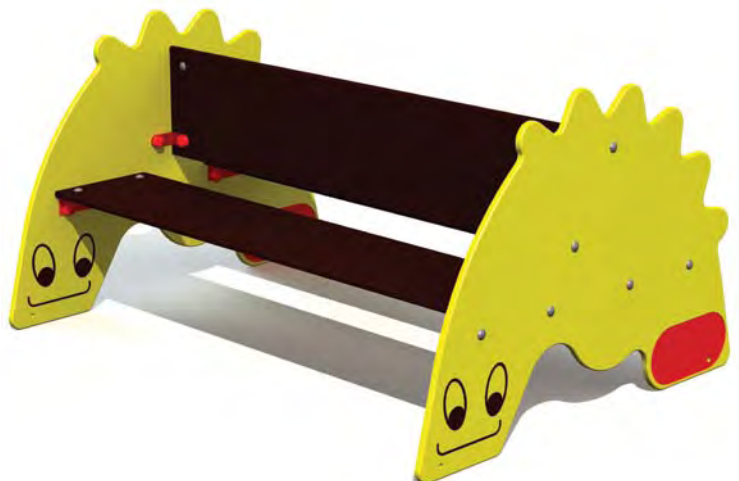
					
1+	3-6	0,76m	0,96m	1,26m	0,35m

IPK101 Two-sided seat SNAIL



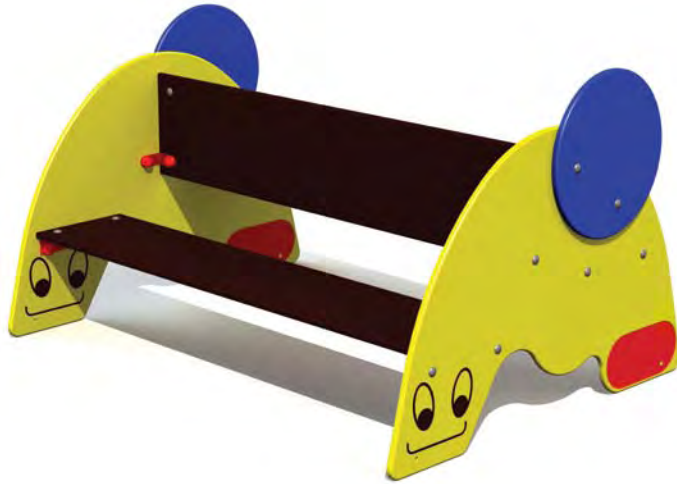
					
1+	3-6	0,70m	0,96m	1,26m	0,35m

IPK201 Two-sided seat CROCO



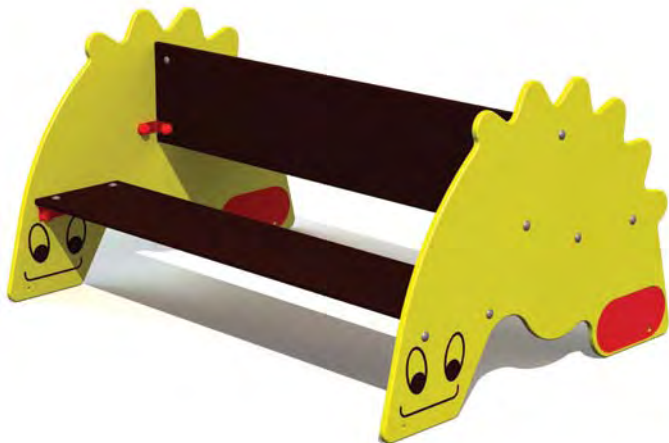
THEME PLAY

IPK102 Two-sided seat of different heights SNAIL



1+	3-6	0,76m	0,96m	1,26m	0,35m

IPK202 Two-sided seat CROCO

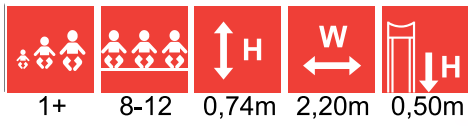


1+	3-6	0,70m	0,96m	1,26m	0,35m

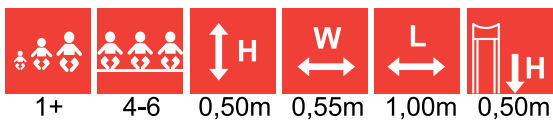
IPR801 Set for a group of children SNAIL



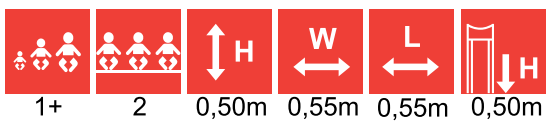
1+	8-12	0,74m	2,20m	0,50m



IPR802 Set for a group of children CROCO



IPL602 Table (oval)



IPL601 Table (round)

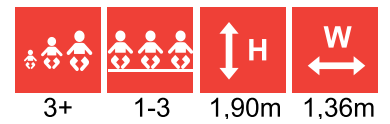


THEME PLAY

LKA001 Box for toys

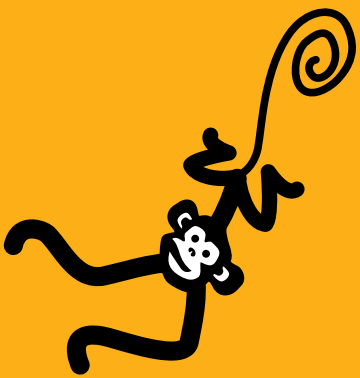
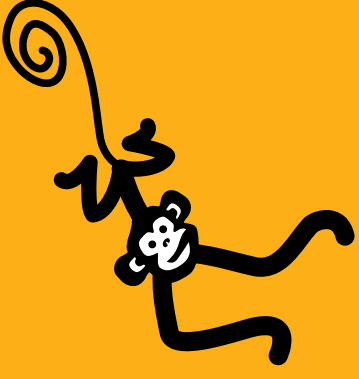


TAH001 Blackboard

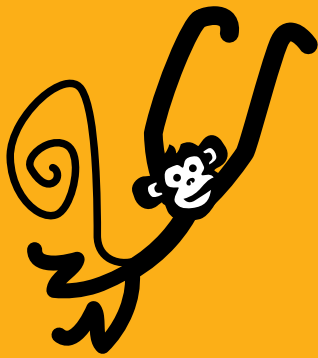


SANDBOXES





SANDBOXES



LK16, LK20, LK30, LK63 Sandboxes

170



LKV001 Sandbox shade FLOWER

175



LK01 Sandboxes on legs

171



LKL001 Flower-shaped sandbox table

175



LK006 Sandbox HEXAGON

171



LKLP01 Table and seats for sandboxes

175



LK004 Sandbox SQUARE

171



LKP001 Rounded bench

176



LMK001 Sandbox 3x3 with little house

172



LKV10 Sandbox cover

176



LMK003 Play Centre BABY with sandbox

172

SANDBOXES

LK16 Sandbox - 1600x1600

0+	3-6	0,23m	1,60m	1,60m

LK20 Sandbox - 2000x2000

BESTSELLER

0+	4-8	0,23m	2,00m	2,00m

LK30 Sandbox - 3000x3000

BESTSELLER






0+	5-10	0,23m	3,00m	3,00m

LK63 Sandbox - 6000x3000

0+	10-20	0,23m	3,00m	6,00m








SANDBOXES

				
1+	12	0,65m	0,50m	4,00m






LK01 Sandboxes on legs



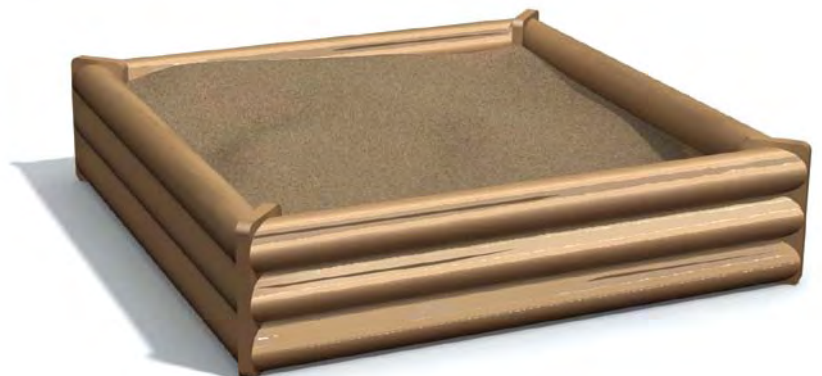
				
0+	6-12	0,50m	4,00m	4,00m

LK006 Sandbox HEXAGON



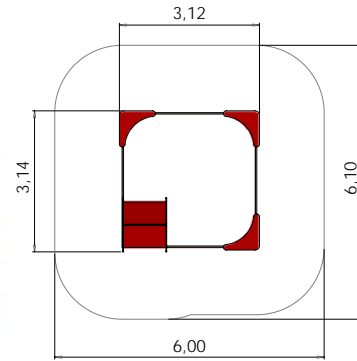
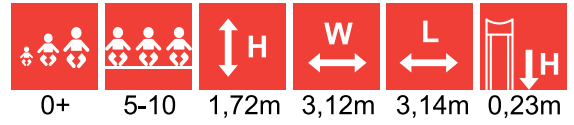
				
0+	4-8	0,50m	2,03m	2,03m

LK004 Sandbox SQUARE

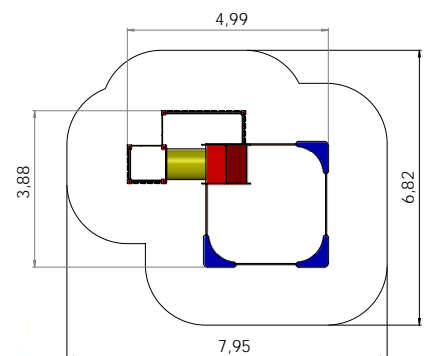
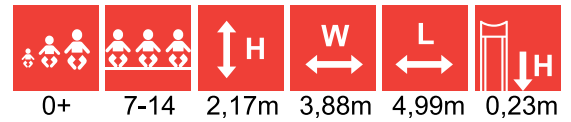


SANDBOXES

LMK001 Sandbox 3x3 with little house

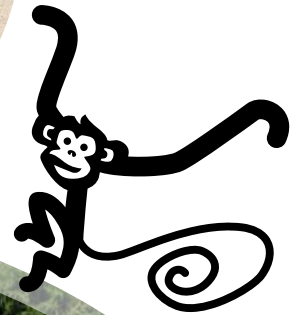


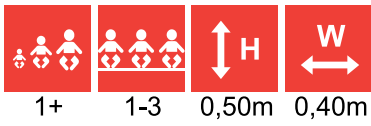
LMK003 Play Centre BABY with sandbox



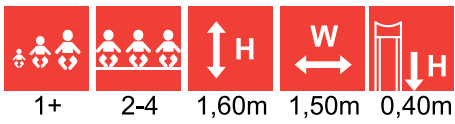


SANDBOXES

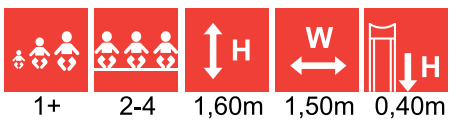




LKL001 Flower-shaped sandbox table



LKLP01 Table and seats for sandboxes

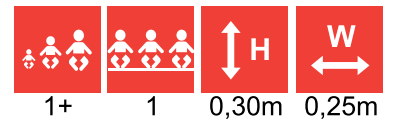


LKV001 Sandbox shade FLOWER

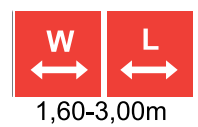


SANDBOXES

LKP001 Rounded bench



LKV10 Sandbox cover



CAROUSELS





CAROUSELS



KM012 Carousel EUROPE

180



KM006 Carousel STARLET

182



KM011 Carousel MOBILE

180



KM003 Hanging carousel COMET

182



KM010 Carousel MOBILE with handles

180



KM004 Carousel UFO

182



KM009 Carousel SATELLITE

181



KM005 Carousel APOLLO

183



KM007 Carousel METEOR

181



KM002 Carousel MOON CIRCLE

184



KM008 Carousel ROCKET

181



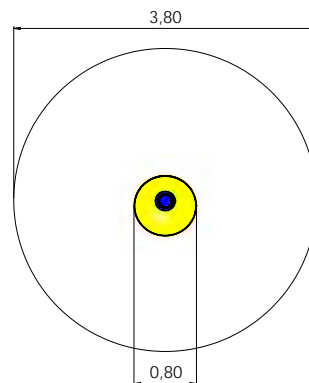
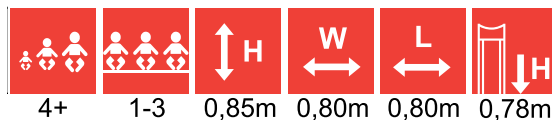
KM001 Carousel SUN WHEEL

184

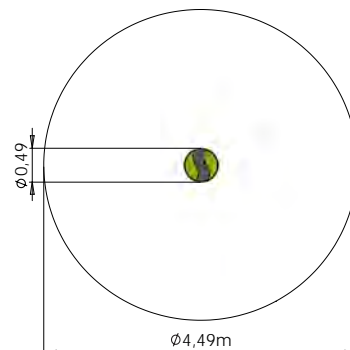
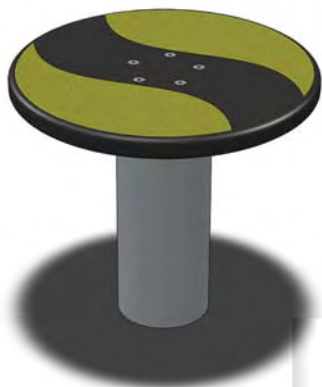
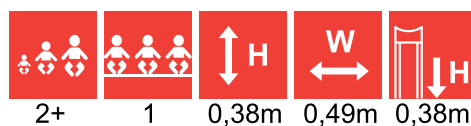
CAROUSELS

KM012 Carousel EUROPE

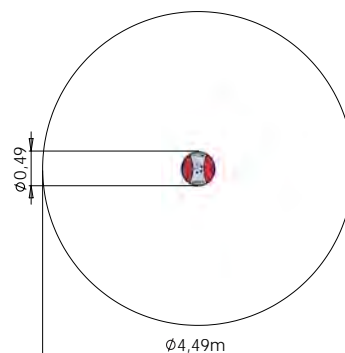
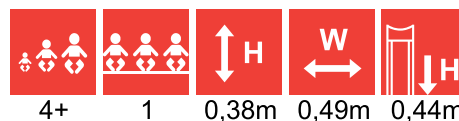
NEW!



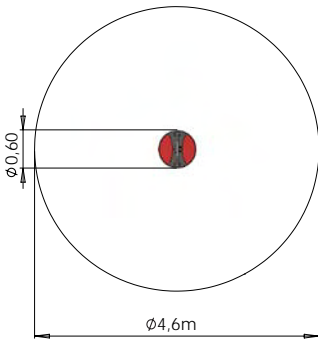
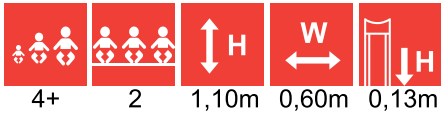
KM011 Carousel MOBILE



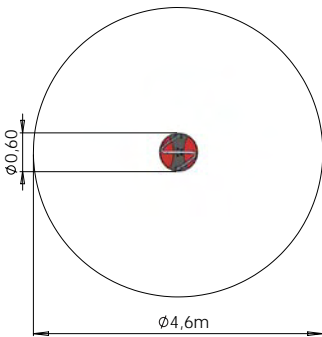
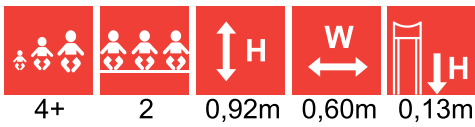
KM010 Carousel MOBILE with handles



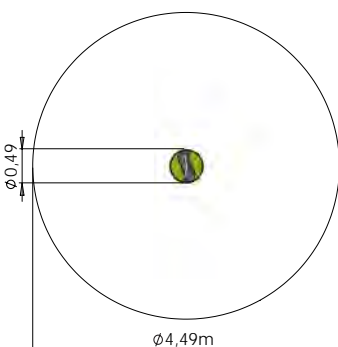
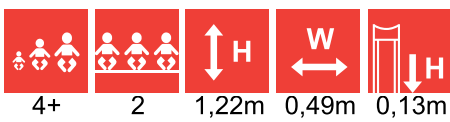
CAROUSELS



KM009 Carousel SATELLITE



KM008 Carousel ROCKET

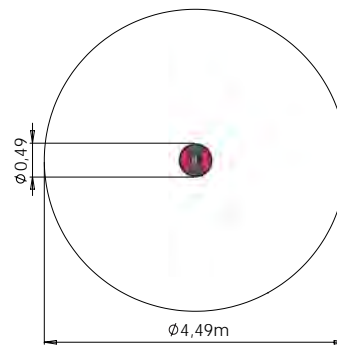
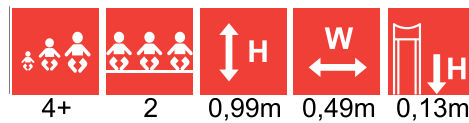


KM007 Carousel METEOR

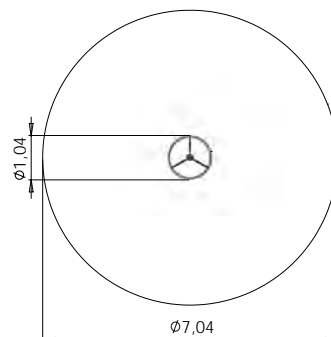
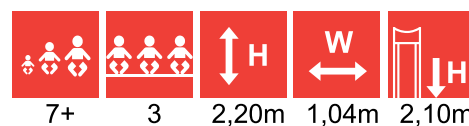


CAROUSELS

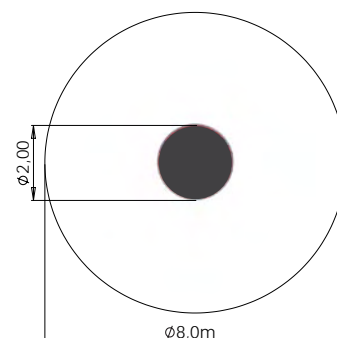
KM006 Carousel STARLET








KM003 Hanging carousel COMET



KM004 Carousel UFO

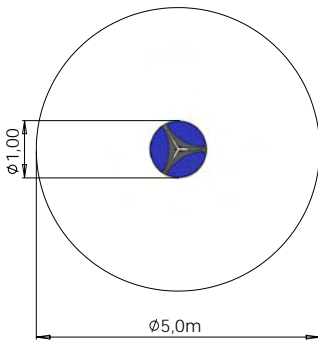


CAROUSELS

				
4+	2-4	0,69m	1,00m	0,13m

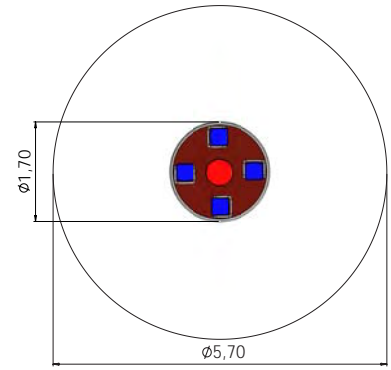
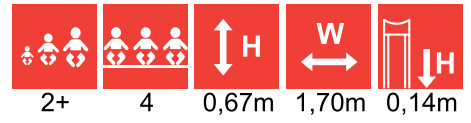
BESTSELLER

KM005 Carousel APOLLO

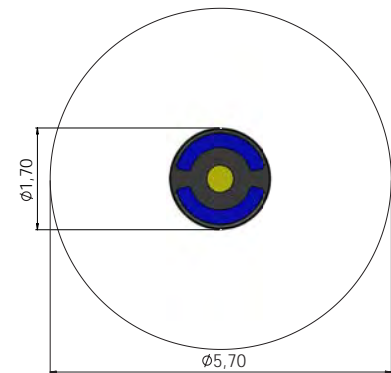
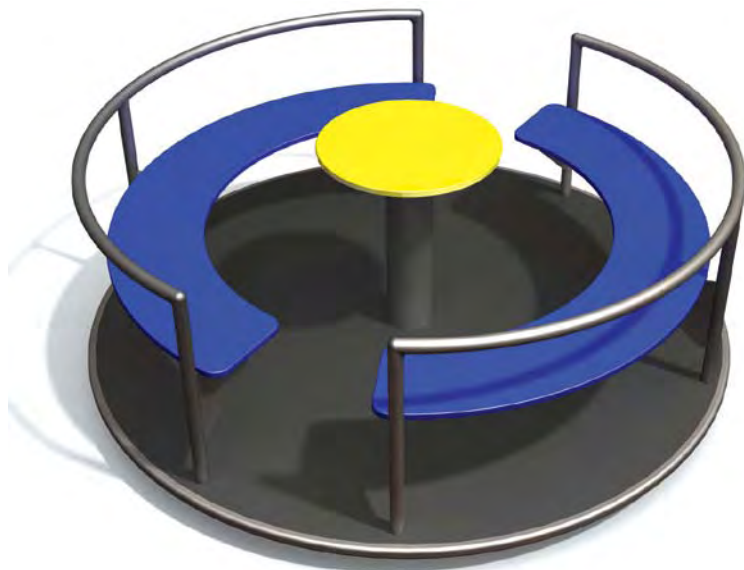
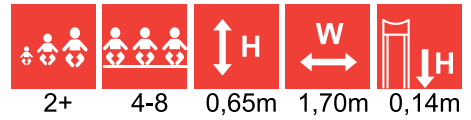


CAROUSELS

KM002 Carousel MOON CIRCLE



KM001 Carousel SUN WHEEL



BALANCING AND EXERCISE





PVP10 Spiral beam SNAKE

188



PLP11 Beam

189



PLP12 Beam with slope

189



PLP13 Spring beam

189



PLP14 Spinning beam

190



RS113 Bridge on chains

190

BALANCING AND EXERCISE



PV010 Spring plate BALANCE 191



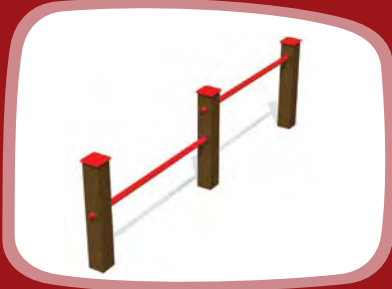
TSV002 Parallel bars 194



TSV011 Outdoor exercise complex 2 197



PV011 Spring plate BALANCE with handles 191



TSV003 Push-up bars 194



TKR001-1 Balance track 1 198



RK01 Trapeze of one height 192



TSV004 Abdominal training equipment 195



TKR001-2 Balance track 2 198



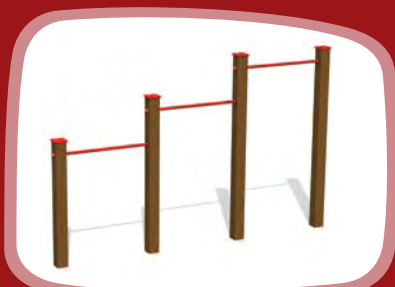
RK02 Trapezes of two heights 192



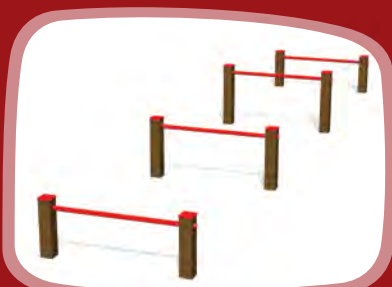
TSV005 Hanging track 195



TKR001-4 Balance track 4 198



RK03 Trapezes of three heights 192



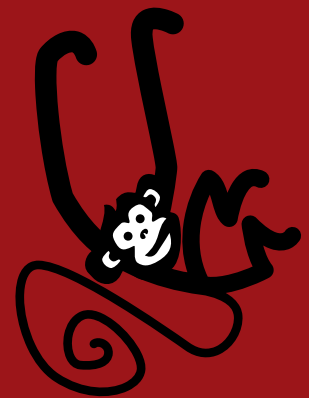
TSV007 Jumping track 196



TSV001 Hang bars 194









TSV010 Outdoor exercise complex 1 196

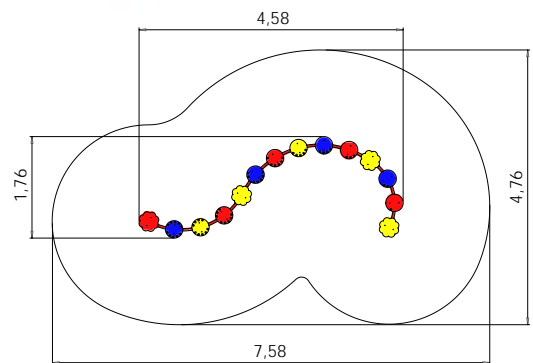
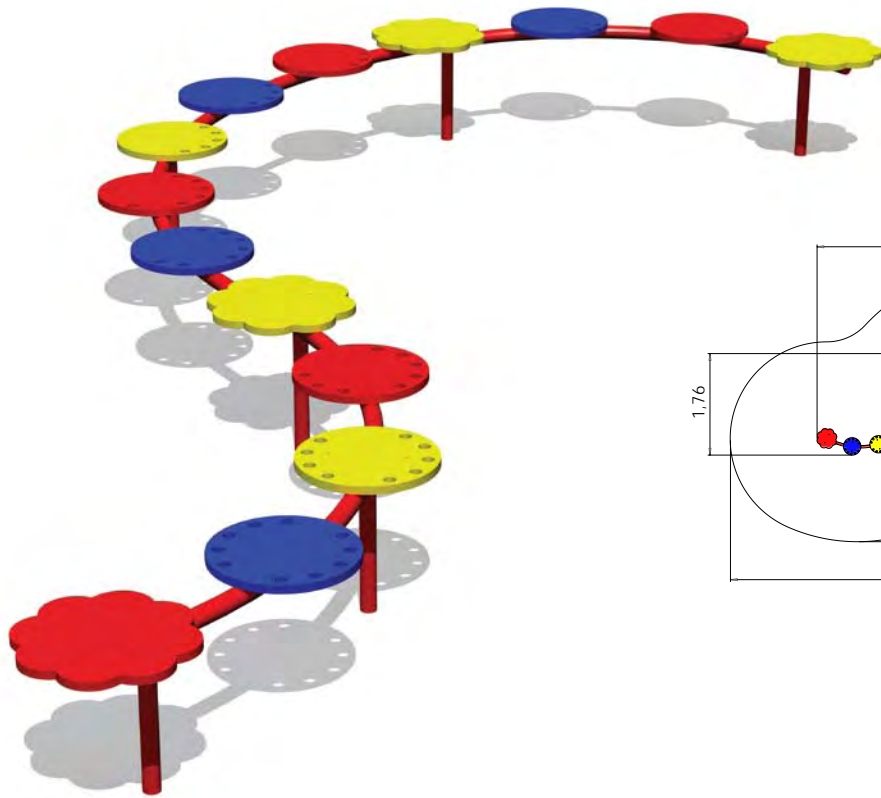


BALANCING AND EXERCISE

PVP10 Spiral beam SNAKE

BESTSELLER

					
3+	14	0,35m	1,76m	4,58m	0,35m

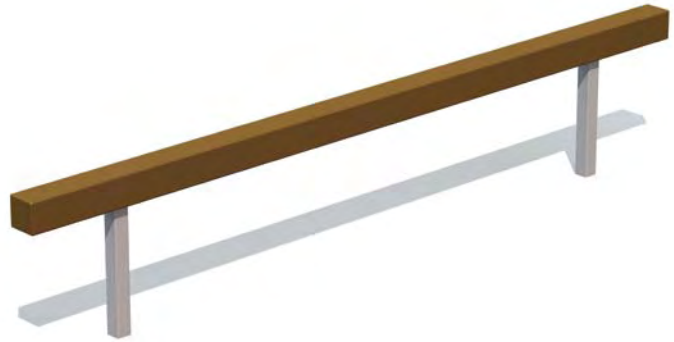
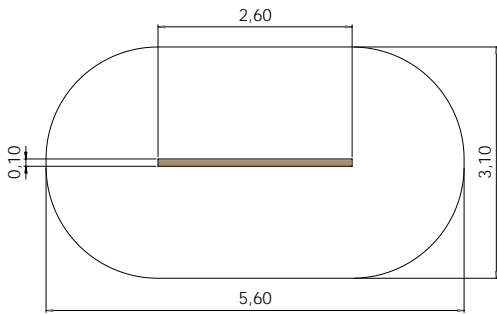


BALANCING AND EXERCISE

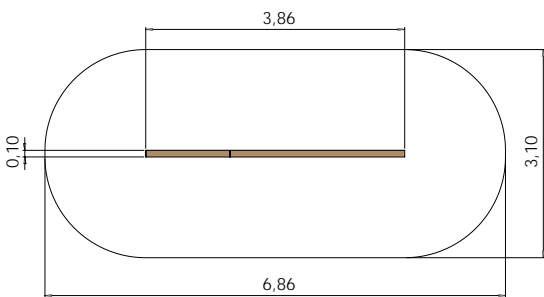


BESTSELLER

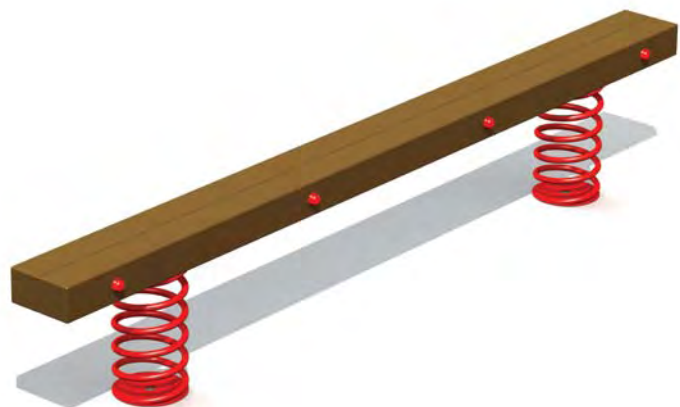
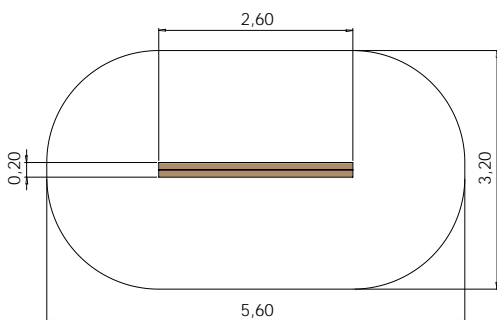
PLP11 Beam



PLP12 Beam with slope

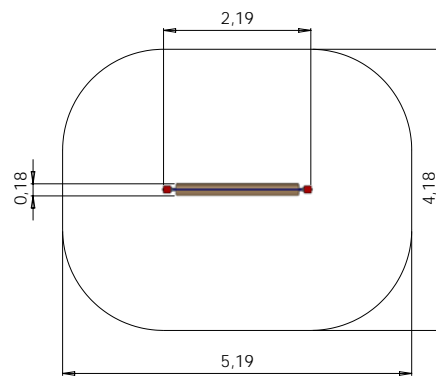
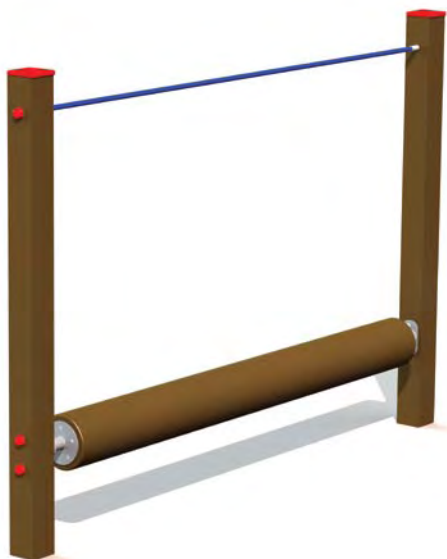


PLP13 Spring beam



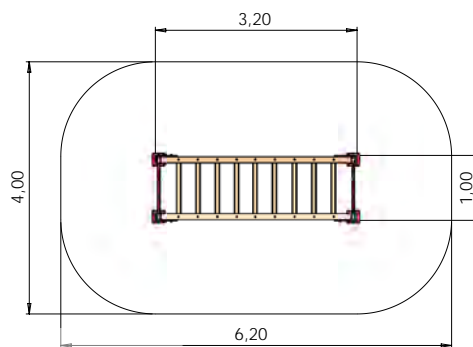
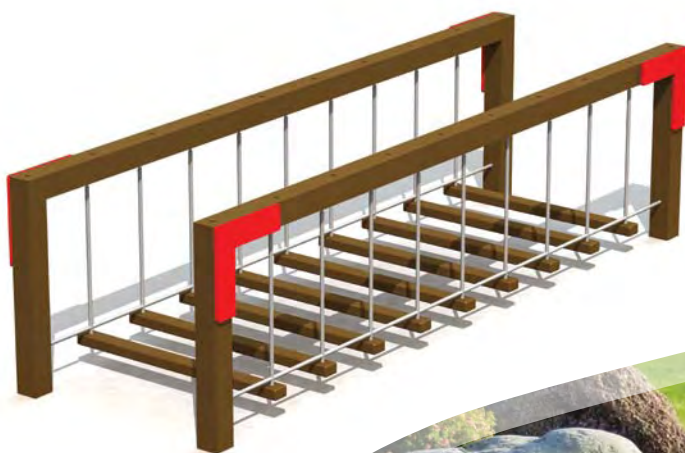
BALANCING AND EXERCISE

PLP14 Spinning beam

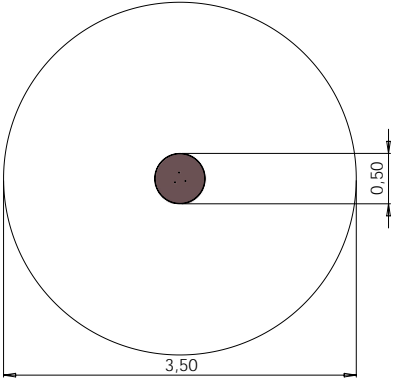


RS113 Bridge on chains

BESTSELLER



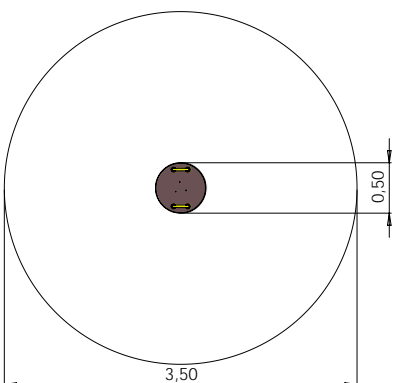
4+	1	0,42m	0,50m	0,50m	0,42m



PV010 Spring plate BALANCE



4+	1	0,55m	0,50m	0,50m	0,42m



PV011 Spring plate BALANCE with handles









BALANCING AND EXERCISE







RK01 Trapeze of one height

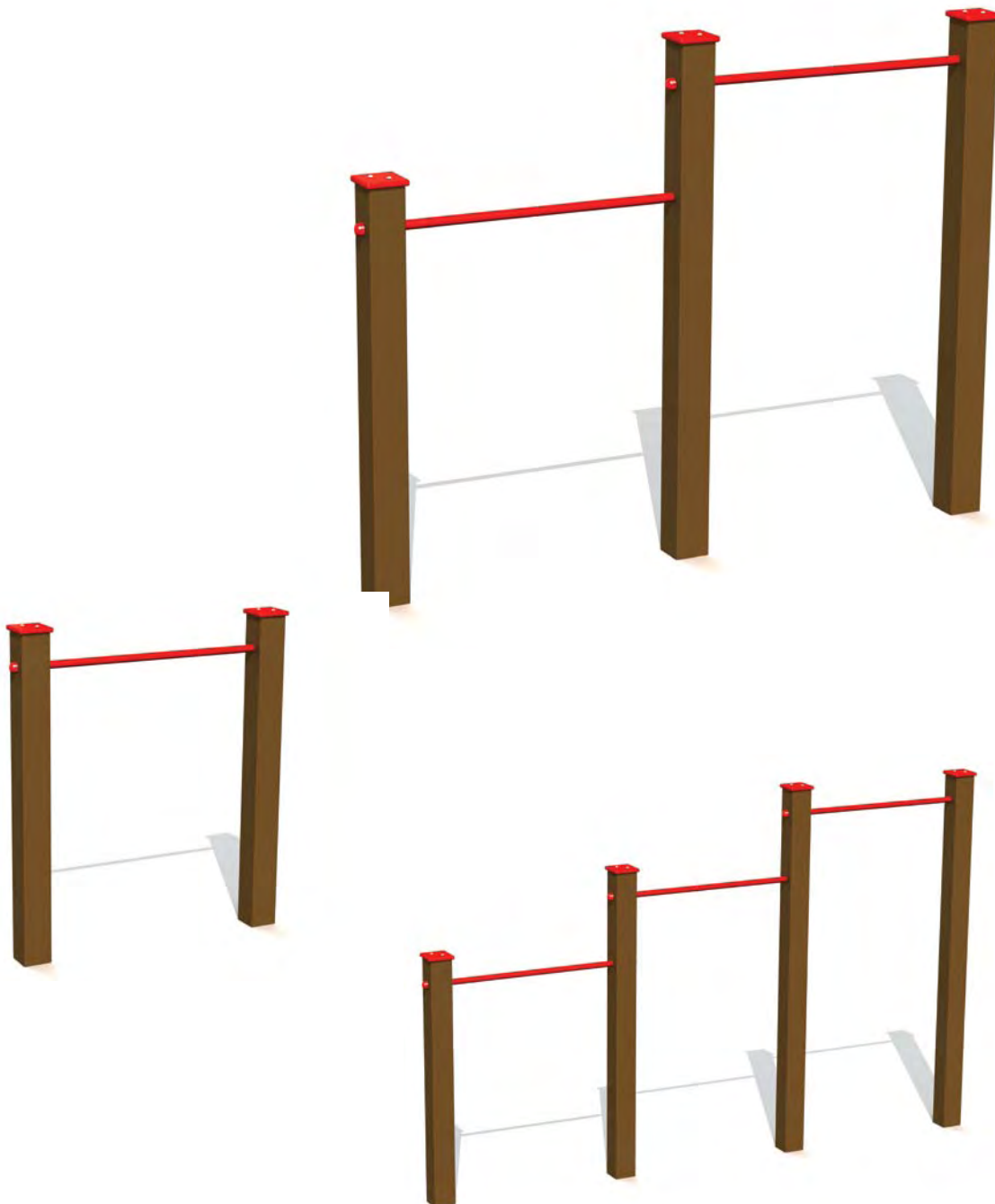
					
3+	1	1,10m	0,10m	0,95m	1,00m

RK02 Trapezes of two heights

					
3+	2	1,40m	0,10m	1,80m	1,30m

RK03 Trapezes of three heights

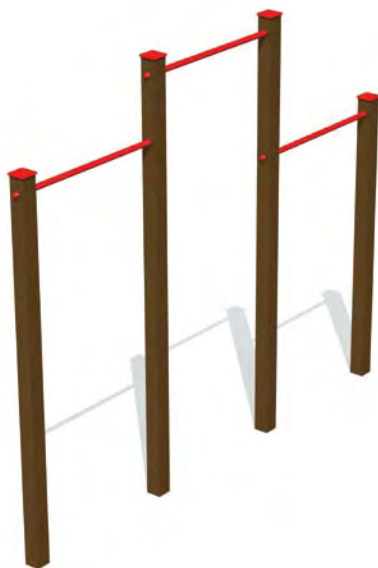
					
3-15	3	1,70m	0,10m	2,65m	1,60m



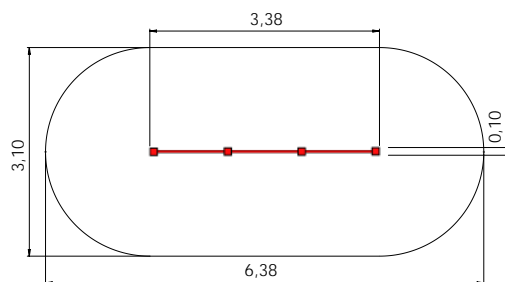
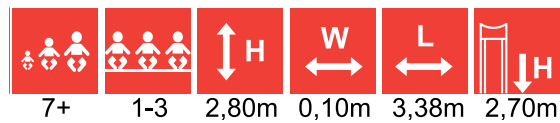


BALANCING AND EXERCISE

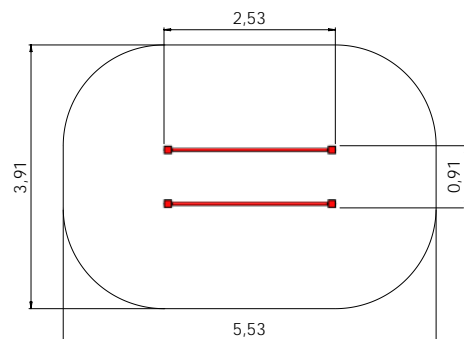
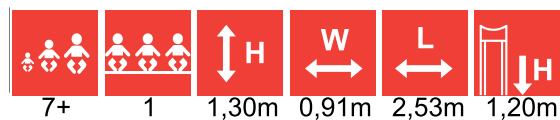
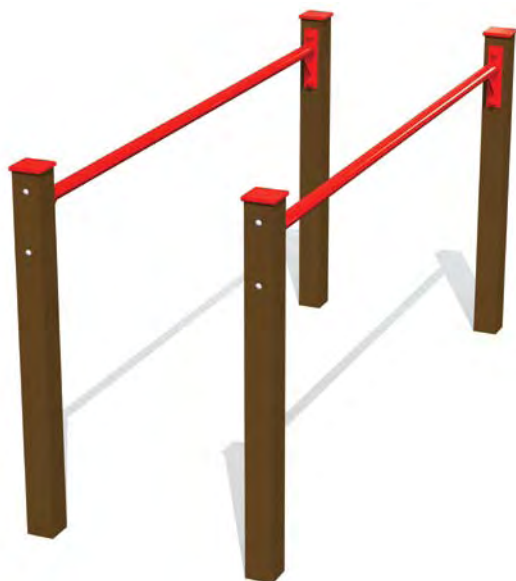
TSV001 Hang bars



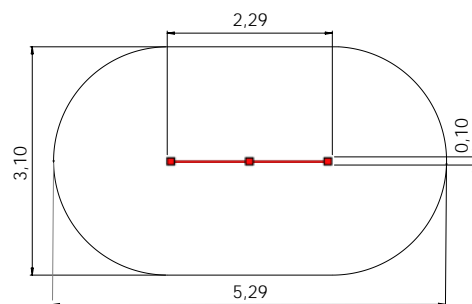
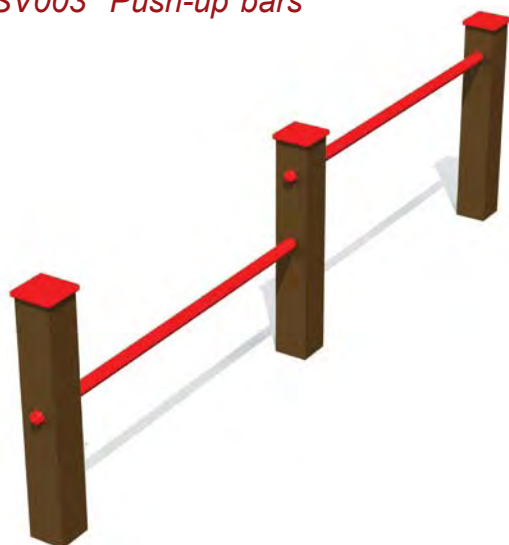
BESTSELLER

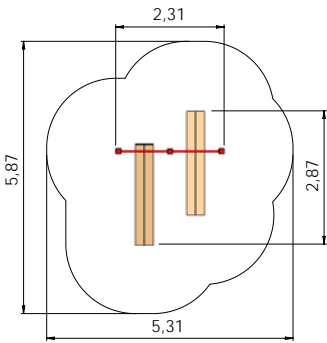
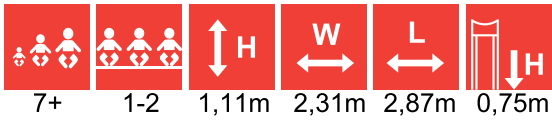


TSV002 Parallel bars

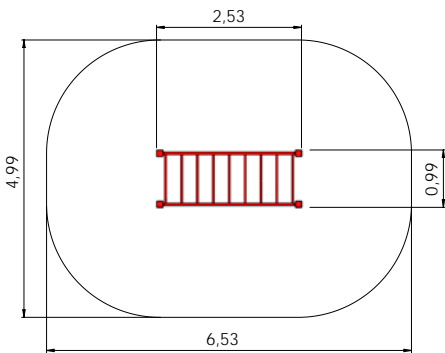
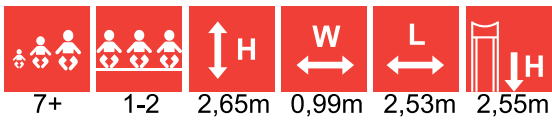
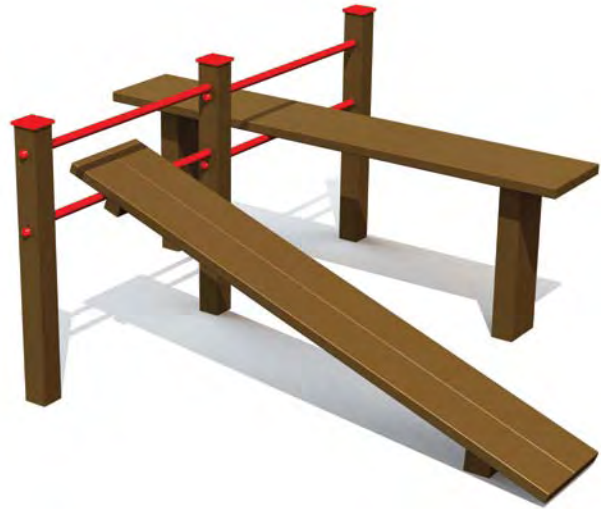


TSV003 Push-up bars





TSV004 Abdominal training equipment

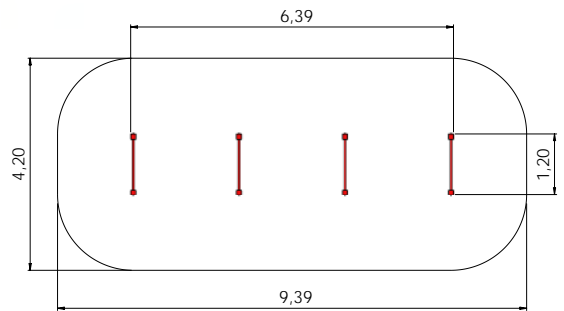
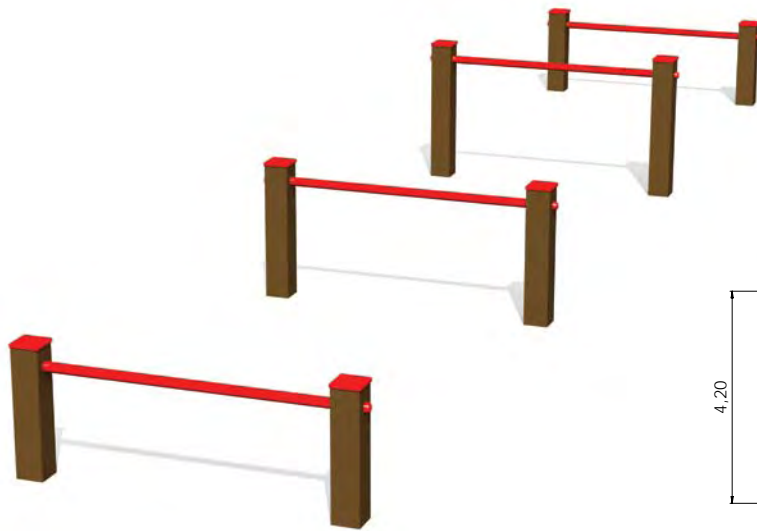
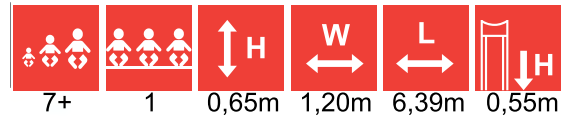


TSV005 Hanging track

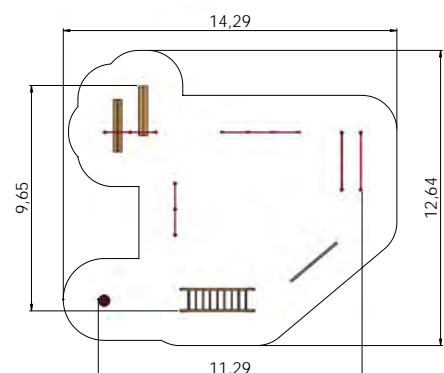
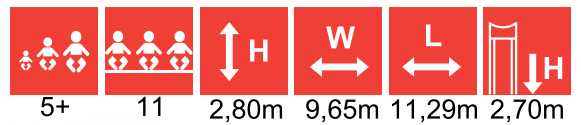


BALANCING AND EXERCISE







TSV007 Jumping track



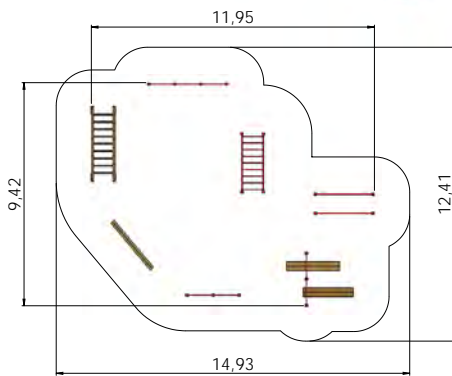
TSV010 Outdoor exercise complex 1



BALANCING AND EXERCISE

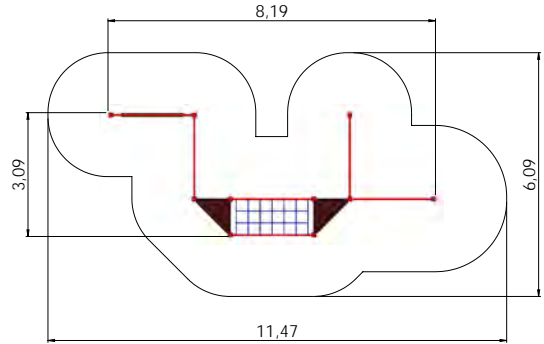
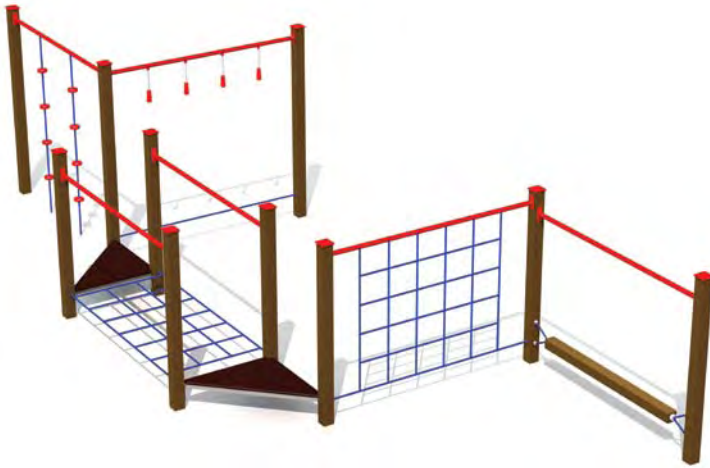
					
5+	11	2,80m	9,42m	11,95m	2,70m

TSV011 Outdoor exercise complex 2

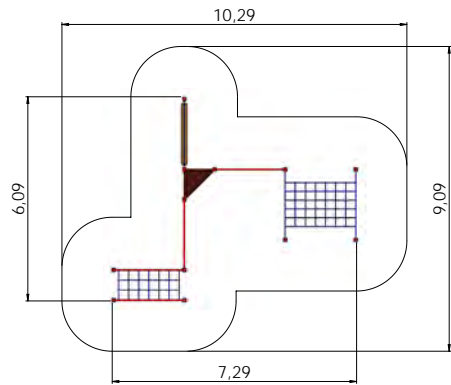
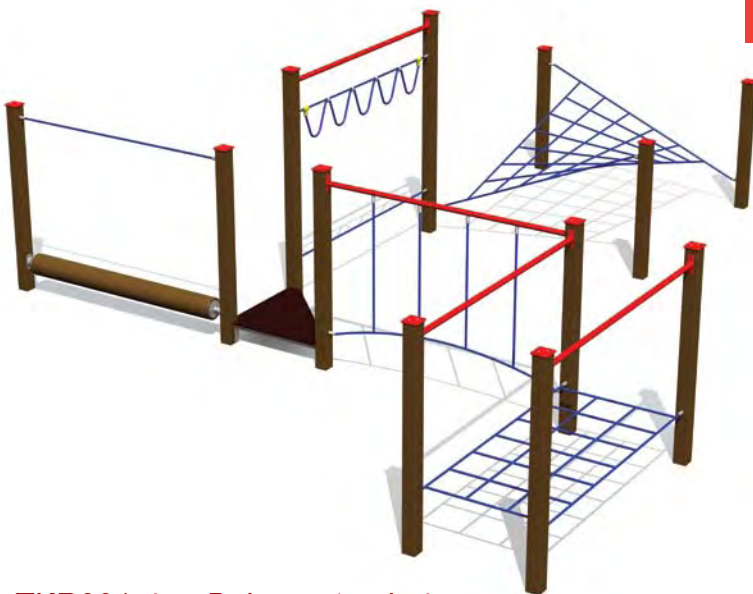


BALANCING AND EXERCISE

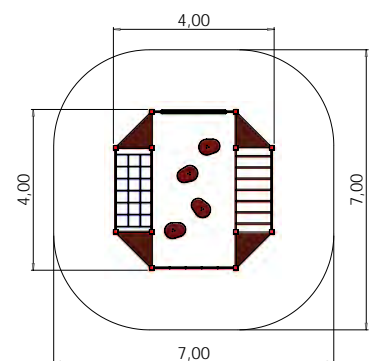
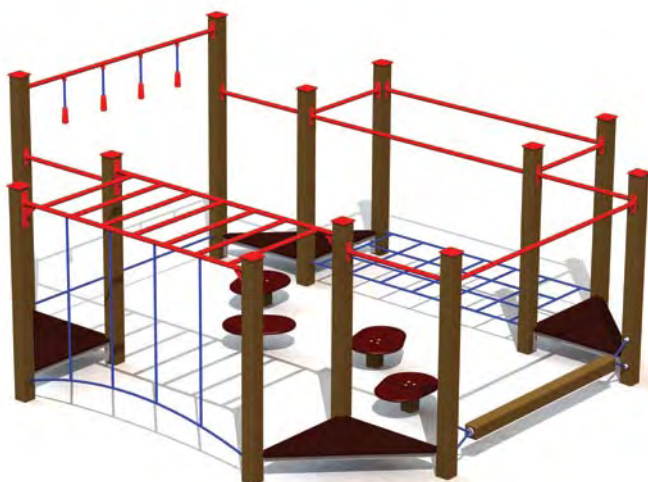
TKR001-1 Balance track 1



TKR001-2 Balance track 2

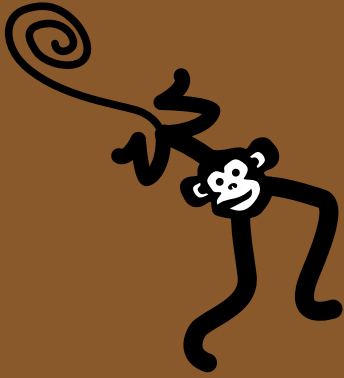


TKR001-4 Balance track 4



SPORT EQUIPMENT





KPK02 Basketball construction for adults 202



VTVK20 Outdoor Fitness (incl.different items) 202



KPK01 Basketball construction for children 202



KPK05 Basketball construction TEDDY BEAR 203



KPKR02 Urban basketball ring with chain-net 203



KPK04 Basketball construction for children 203

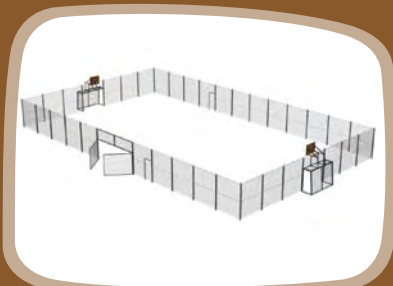
SPORT EQUIPMENT



KPK03 Basketball construction with 3 rings TRIO 204



JPV02 Football gate 2x3 m with net 206



MFS003 Multifunctional Arena metal 18m x 30m 208



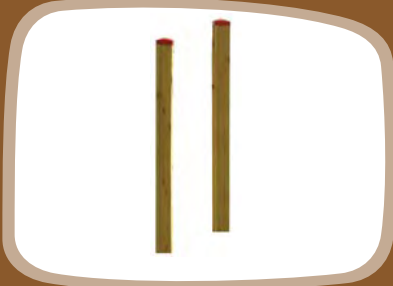
KPKL01 Backboard and a ring (nylon net) 205



SS100 Volleyball metalposts 207



KPKR01 Backboard ring with net 205



KPK06 Volleyball court posts 207



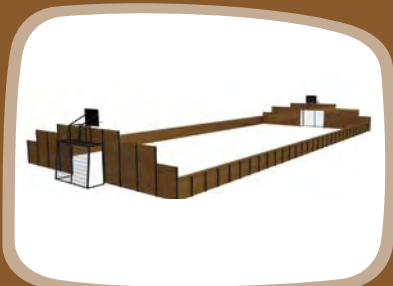
MM115 Ball catcher FLORA 205



KHK01 Long jump box (without sand) 207



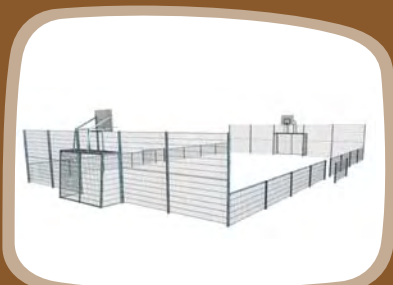
PSE001 Ball wall 2,5x2,3m 206



MFS001 Multifunctional Arena wooden 31m x 16m 208



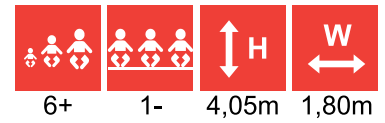
JPV01 Football gate for children 1x1,5m with net 206



MFS002 Multifunctional Arena metal 21x13m 208

SPORT EQUIPMENT

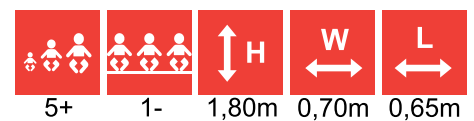
KPK02 Basketball construction for adults

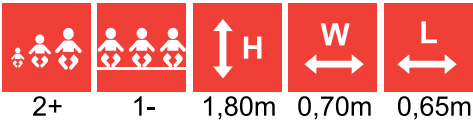


VTVK20 Outdoor Fitness (incl. different items)

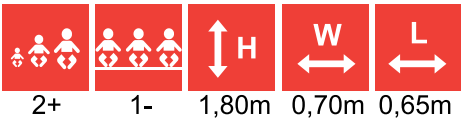


KPK01 Basketball construction for children

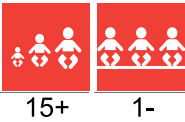




KPK04 Basketball construction for children



KPK05 Basketball construction TEDDY BEAR








KPKR02 Urban basketball ring with chain-net



SPORT EQUIPMENT

KPK03 Basketball construction with 3 rings TRIO

				
2+	3-	2,40m	0,76m	2,79m



BESTSELLER

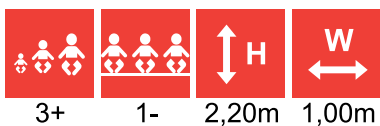




KPKL01 Backboard and a ring (nylon net)



KPKR01 Backboard ring with net








MM115 Ball catcher FLORA



SPORT EQUIPMENT






PSE001 Ball wall 2,5x2,3m



				
1+	1-	2,30m	2,50m	0,13m






JPV01 Football gate for children 1x1,5m with net

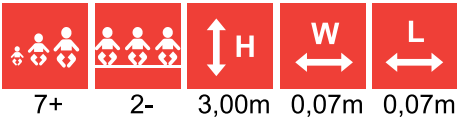


				
2+	1-	1,00m	0,70m	1,50m

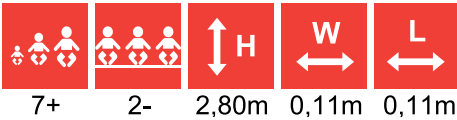
JPV02 Football gate 2x3 m with net



				
5+	1-	2,00m	1,00m	3,00m



SS100 Volleyball metalposts with ground sleeves and net



KPK06 Volleyball court posts



KHK01 Long jump box (without sand)

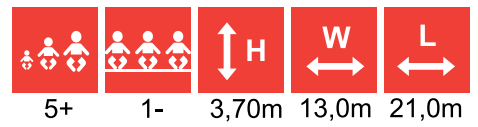


SPORT EQUIPMENT

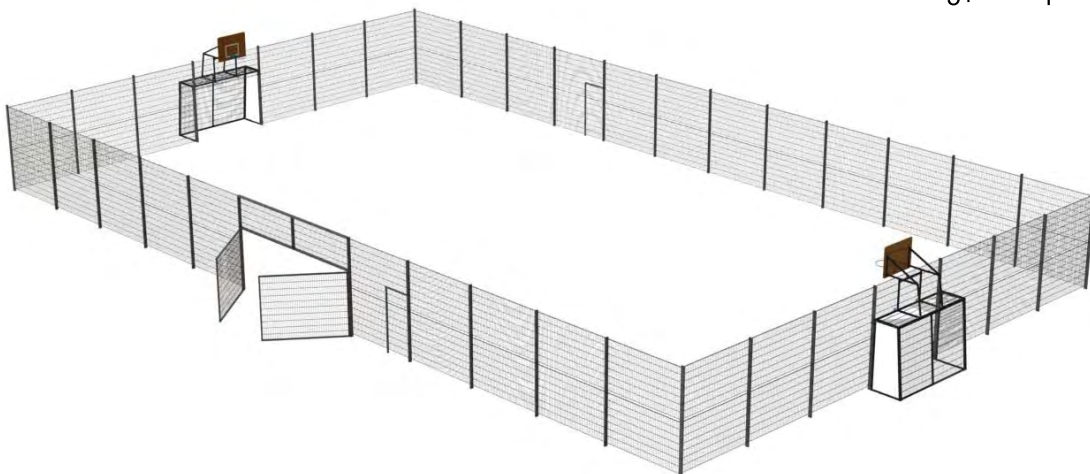
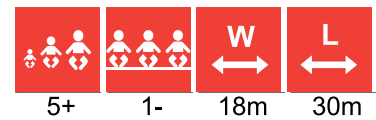
MFS001 Multifunctional Arena wooden 31m x 16m



MFS002 Multifunctional Arena metal 21x13m



MFS003 Multifunctional Arena metal 18m x 30m



OUTDOOR FURNITURE





VP002 Shelter 3x4m (plastic roof and two walls) 212



IPPS02 Park bench SAUE 214



VP001 Shelter with wooden floor, 3x4m 212



IPPS03 Table SAUE 214



VLE001 Pavilion hexagonal 212



IPPN01 Park bench HIUU 214



VP003 3x6, VP005 4x6 Shelter with wooden floor 213



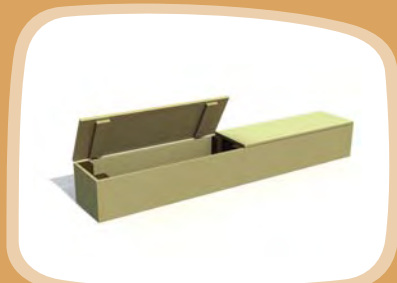
IPPS01 Park bench SAKU 215



VP004 3x6, VP006 4x6 Shelter 213



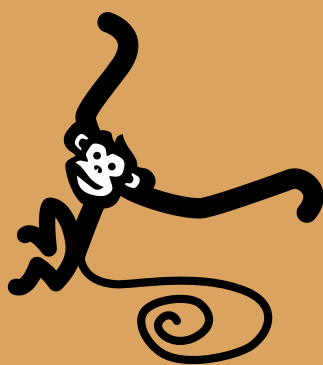
IPPT12 Park bench TISKRE 215



VP009 Storage box with lid 213



IPPK02 Park bench HARKU 215



OUTDOOR FURNITURE



IPPT01 Park bench TARTU

216



PP002 Picnic table RONDO

218



PKR004 Concrete trash bin with tin bucket, 20L

220



HPI001 Rest railing

216



PP001 Picnic table

218



JH002 Bicycle holder, 6 places

220



IPPK03 Swing bench LUIGE

216



PKR001 Dustbin 30 L (with metal stand)

218



JH003 Bicycle holder, 3 places

220



IPPB01 Park bench on concrete legs KERNU

217



PKR007 Dustbin 60 L (with metal stand)

219



JAH06K Bicycle holder, 6 places

221



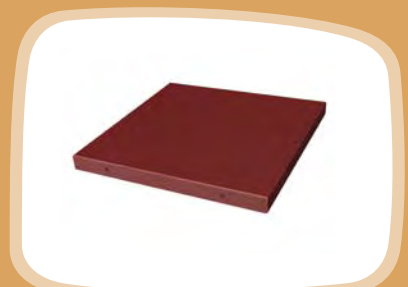
IPPB02 Park bench on concrete legs KOSE

217



PA642 Litter bin REDONDA MAD

219



Rubber tiles

222



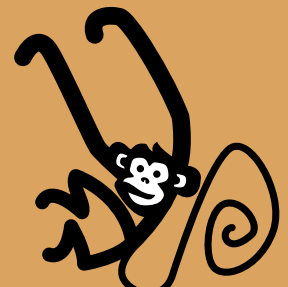
IPPB03 Park bench on concrete legs RAE

217



PKR003 Concrete trash bin with tin bucket, 20L






219



OUTDOOR FURNITURE






VP002 Shelter 3x4m (plastic roof and two walls).



				
1+	10-20	2,79m	3,00m	4,00m





VP001 Shelter with wooden floor, 3x4m (two walls and plastic roof)



				
1+	10-20	2,79m	3,00m	4,00m

VLE001 Pavilion hexagonal



			
1+	10-20	2,70m	2,96m

OUTDOOR FURNITURE

1+	15-30	2,84m	3,00m	6,00m

VP003 3x6
VP005 4x6
Shelter with wooden floor
(two walls and plastic roof)



1+	20-40	2,84m	4,00m	6,00m

VP004 3x6
VP006 4x6
Shelter (plastic roof and two walls)

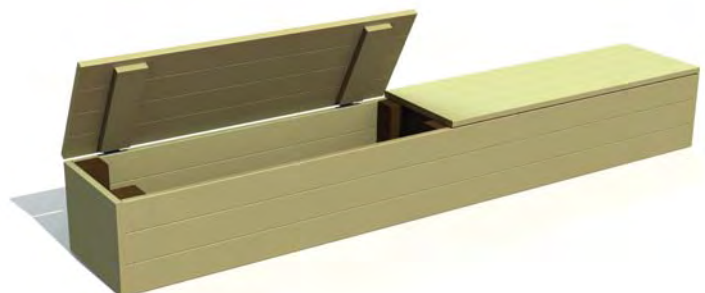


1+	15-30	2,84m	3,00m	6,00m

1+	20-40	2,84m	4,00m	6,00m

VP009 Storage box with lid

0,36m	0,48m	2,90m



OUTDOOR FURNITURE

IPPS02 Park bench SAUE

BESTSELLER



 H	 W	 L
0,48m	0,45m	1,60m

IPPS03 Table SAUE



 H	 W	 L
0,75m	0,74m	1,60m

IPPN01 Park bench HIIU



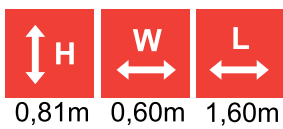
 H	 W	 L
0,48m	0,42m	1,60m



IPPS01 Park bench SAKU



IPPT12 Park bench TISKRE



BESTSELLER




IPPK02 Park bench HARKU



OUTDOOR FURNITURE

IPPT01 Park bench TARTU



 H	 W	 L
0,81m	0,60m	1,60m

HPI001 Rest railing



 H	 W	 L
0,78m	0,42m	2,00m

IPPK03 Swing bench LUIGE



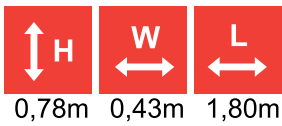
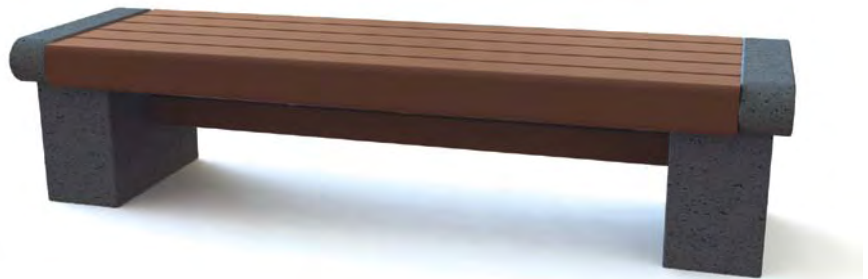
 H	 W	 L
1,50m	0,60m	2,10m



IPPB01 Park bench on concrete legs KERNU



IPPB02 Park bench on concrete legs KOSE








IPPB03 Park bench on concrete legs RAE



OUTDOOR FURNITURE

PP002 Picnic table RONDO



 1+	 4-8	 0,85m	 1,61m	 1,61m
--	--	--	--	--

PP001 Picnic table



 0,75m	 1,56m	 1,50m
---	---	---

PKR001 Dustbin 30 L (with metal stand)



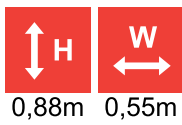
BESTSELLER

 1,30m	 0,32m
--	--

OUTDOOR FURNITURE



PKR007 Dustbin 60 L (with metal stand)



PA642 Litter bin REDONDA MAD

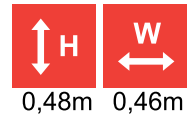


PKR003 Concrete trash bin with tin bucket, 20L

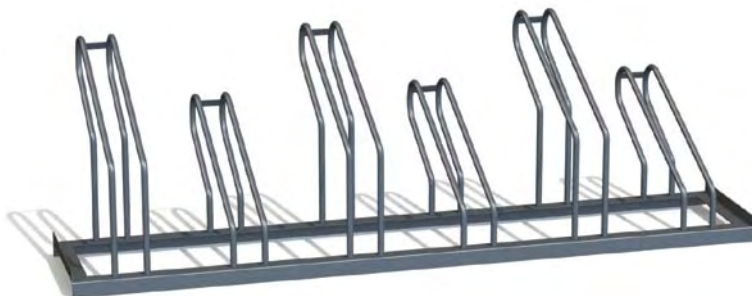
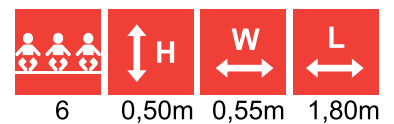


OUTDOOR FURNITURE

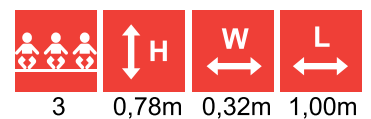
PKR004 Concrete trash bin with tin bucket, 20L



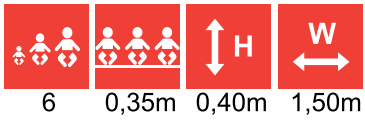
JH002 Bicycle holder, 6 places



JH003 Bicycle holder, 3 places



OUTDOOR FURNITURE



JAH06K Bicycle holder, 6 places



OUTDOOR FURNITURE

Rubber tiles



Colors: red, green, gray and black

RED / BLACK

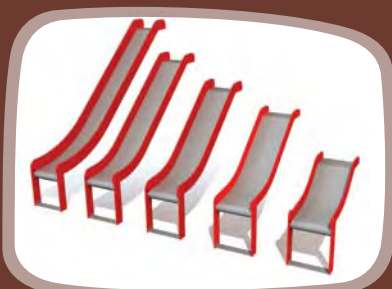
FS – 100PM	Rubber tiles 100mm	Max fall height	<3000mm
FS – 90PM	Rubber tiles 90mm	Max fall height	<2500mm
FS – 80PM	Rubber tiles 80mm	Max fall height	<2400mm
FS – 70PM	Rubber tiles 70mm	Max fall height	<2200mm
FS – 60PM	Rubber tiles 60mm	Max fall height	<2000mm
FS – 50PM	Rubber tiles 50mm	Max fall height	<1600mm
FS – 45PM	Rubber tiles 45mm	Max fall height	<1500mm
FS – 40PM	Rubber tiles 40mm	Max fall height	<1350mm
FS – 30PM	Rubber tiles 30mm	Max fall height	<900mm
FS – 20PM	Rubber tiles 20mm	Max fall height	<700mm

GREEN / GRAY

FS – 100RH	Rubber tiles 100mm	Max fall height	<3000mm
FS – 90RH	Rubber tiles 90mm	Max fall height	<2500mm
FS – 80RH	Rubber tiles 80mm	Max fall height	<2400mm
FS – 70RH	Rubber tiles 70mm	Max fall height	<2200mm
FS – 60RH	Rubber tiles 60mm	Max fall height	<2000mm
FS – 50RH	Rubber tiles 50mm	Max fall height	<1600mm
FS – 45R	Rubber tiles 45mm	Max fall height	<1500mm
FS – 40RH	Rubber tiles 40mm	Max fall height	<1350mm
FS – 30RH	Rubber tiles 30mm	Max fall height	<900mm
FS – 20RH	Rubber tiles 20mm	Max fall height	<700mm

ACCESSORIES





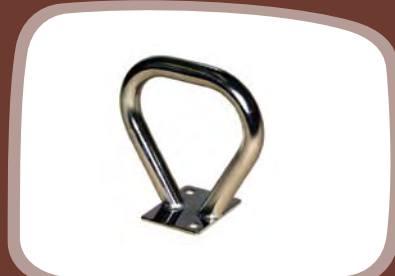
Stainless steel slides with plastic sides 226



MAT006 Plastic nut cover, M6-M12 227



MAT001 PE plastic sheet, thickness 15 and 19mm 227



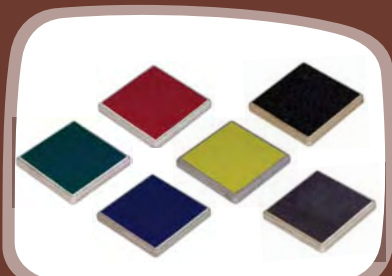
MAT007 Stainless steel See-saw handle 227



MAT002 PE plastic sheet 227



MAT008 Spring set with spring-disks 227



MAT003 PP coated birch plywood 227



MAT009 Net for climbing equipment 228



MAT004 Laminated conifer wood 227



MAT010 Handle with cap 228



MAT005 Aluminium post 98x98mm 227

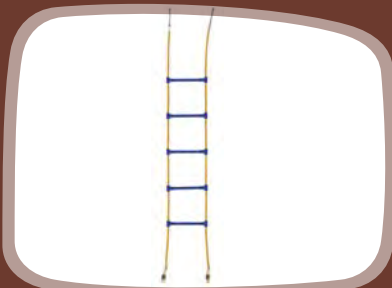


MAT011 Foot support with cap 228

ACCESSORIES



MAT012 Sandbox oval sheet 600x300mm 228



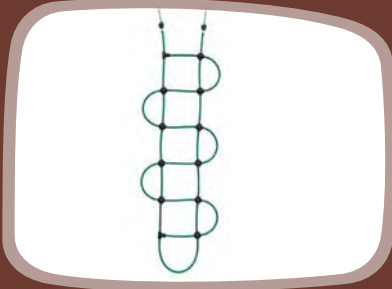
RR001 Rope/plastic climbing ladder 229



KRK9 Galvanized swing chain 230



MAT013 Sandbox round sheet d.220mm 228



RR002 Rope/plastic climbing ladder 229



KRRK01 Stainless steel swing fitting 230



MAT014 Galvanized steel ground fastening 228



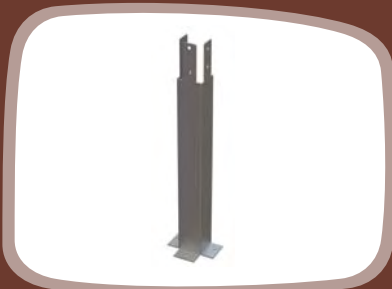
MAT018 U-type ground fixing square post 229



KRK8 Rubber baby cradle seat 230



MAT015 Galvanized See-saw bearing 228



MAT019 U-type ground fixing profile post 229



KRK12 Rubber swing seat 230



MAT016 Plastic post cover 100x100mm 228



MAT020 hot-galvanized metal tubular fixing 229



MAT017 Strong PE plastic post cover 115x115mm 229



KRRK02 Stainless steel swing fitting with bolt 229

ACCESSORIES

LIU2.15RV Stainless steel with plastic sides: height 2,15m

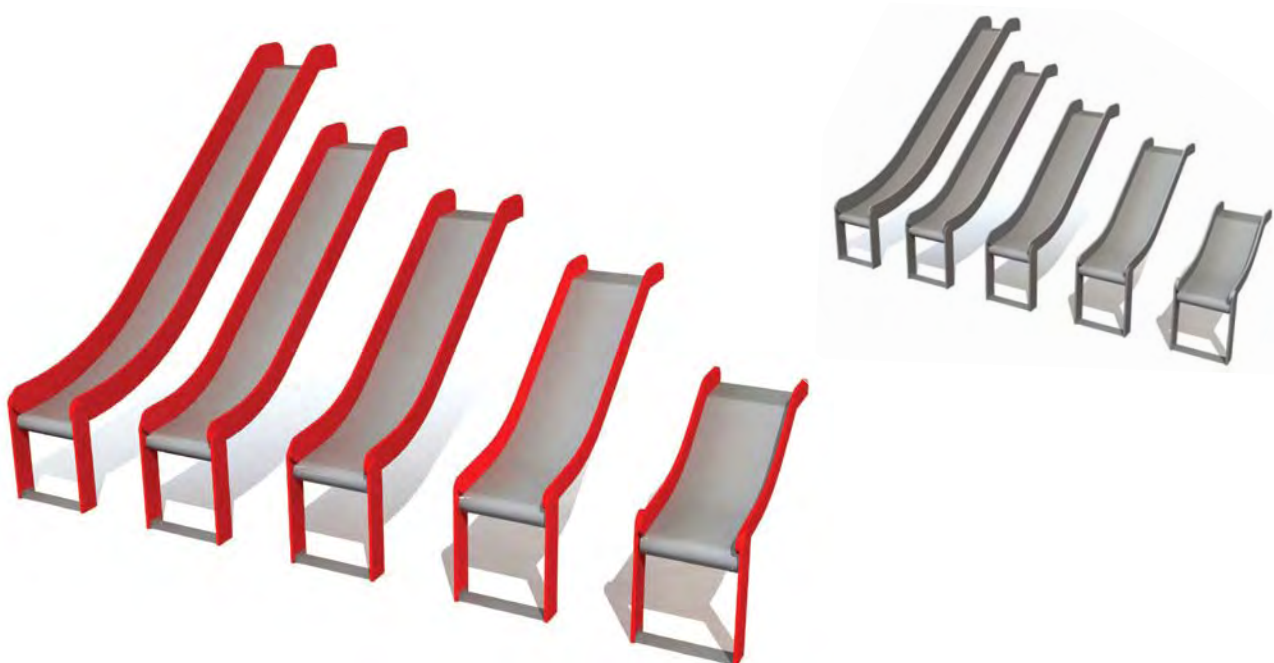
LIU1.55RV Stainless steel slide with plastic sides: height 1,55m

LIU1.2RV Stainless steel slide with plastic sides: height 1,2m

LIU0.95RV Stainless steel slide with plastic sides: height 0,95m

LIU0.6RV Stainless steel slide with plastic sides: height 0,6m

BESTSELLER



ACCESSORIES

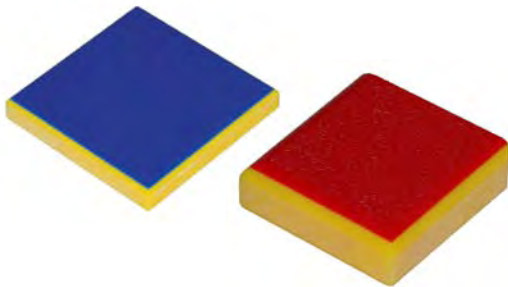
MAT001 PE plastic sheet, thickness 15 and 19mm



MAT005 Aluminium post 98x98mm



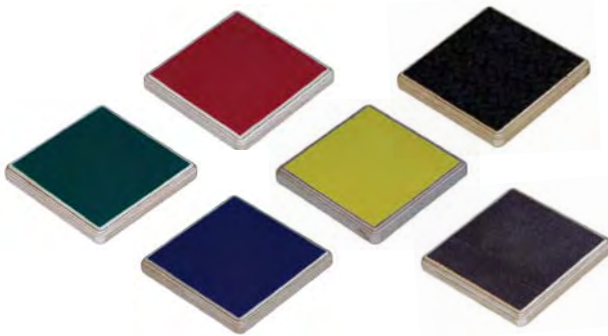
MAT002 PE plastic sheet, 2 colours, thickness 15 and 19mm



MAT006 Plastic nut cover, M6-M12



MAT003 PP coated birch plywood, thickness 12 and 15 mm



MAT007 Stainless steel see-saw handle



MAT004 Laminated conifer wood

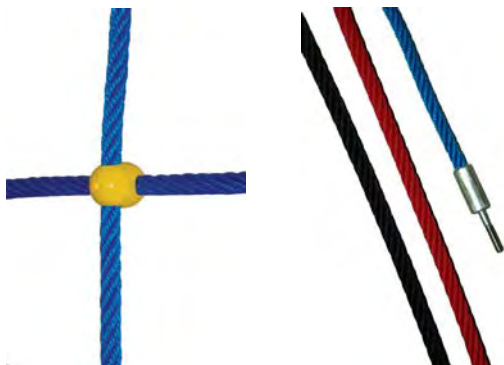


MAT008 Spring set with spring-disks d.170 and 200mm



ACCESSORIES

MAT009 Net for climbing equipment



MAT013 Sandbox round sheet d.220mm



MAT010 Handle with cap



MAT014 Galvanized steel ground fastening for spring swings



MAT011 Foot support with cap



MAT015 Galvanized See-saw bearing



MAT012 Sandbox oval sheet 600x300mm *MAT016 Plastic post cover 100x100mm*



ACCESSORIES

*MAT017 Strong PE plastic post cover
115x115mm*



*KRKK02 Stainless steel swing fitting
with bolt*



RR001 Rope/plastic climbing ladder



RR002 Rope/plastic climbing ladder



*MAT018 U-type ground
fixing square post*



*MAT019 U-type ground
fixing profile post*



*MAT020 hot-
galvanized metal
tubular fixing*



ACCESSORIES

*KRK9 Galvanized swing chain
L-2,0m, 6mm*



*KRKK01 Stainless steel swing fitting
with mounting plate*



*KRK8 Rubber baby cradle seat,
aluminium frame*



*KRK12 Rubber swing seat,
aluminium frame*





LEGEND



height of structure



width of structure



length of structure



max. fall height



recommended age of users



for simultaneous use by several children



wheelchair access



Manufacturer:
Tiptap OÜ
Veetorni 9, Jüri alevik
Rae vald, Estonia
75301 Harjumaa
Phone +372 657 6222
Fax +372 671 4157
E-mail: info@tiptap.ee
www.tiptap.ee



LEGEND



height of structure



width of structure



length of structure



max. fall height



recommended age of users



for simultaneous use by several children



wheelchair access